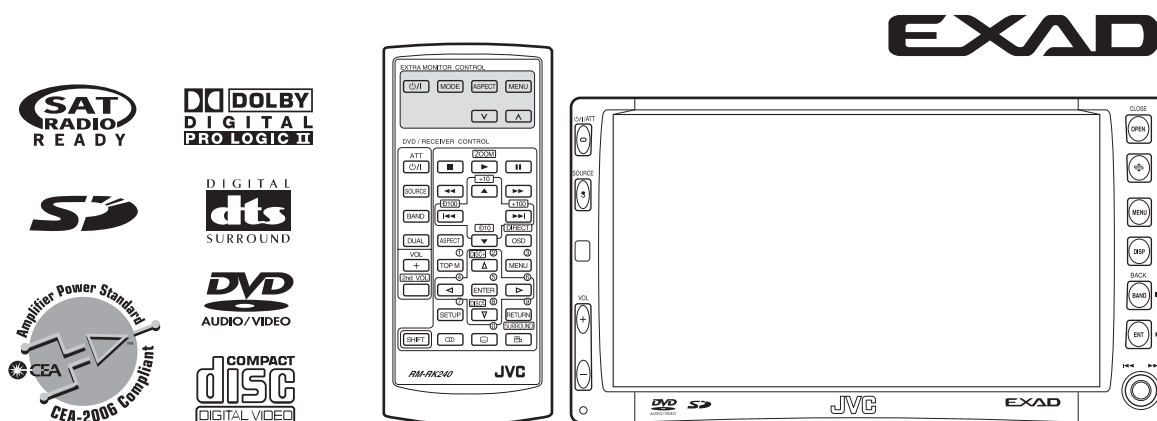


# JVC

## SERVICE MANUAL

DVD RECEIVER WITH MONITOR

**KW-AVX700E, KW-AVX700U,  
KW-AVX700UN, KW-AVX700A,  
KW-AVX701UN, KW-AVX706J,  
KW-AVX706U, KW-AVX706UN,  
KW-AVX706E, KW-AVX706EU,  
KW-AVX706EE**



Lead free solder used in the board (material : Sn-Ag-Cu, melting point : 219 Centigrade)

### TABLE OF CONTENTS

1	PRECAUTIONS .....	1-4
2	SPECIFIC SERVICE INSTRUCTIONS .....	1-7
3	DISASSEMBLY .....	1-8
4	ADJUSTMENT .....	1-25
5	TROUBLESHOOTING .....	1-35

# SPECIFICATION


<b>AMPLIFIER</b>		
Power Output (for northern america)		20 W RMS × 4 Channels at 4 Ω and [ $\leq$ or =] 1% THD+N
Maximum Power Output (except northern america)	Front/Rear	50 W per channel
Continuous Power Output (RMS) (except northern america)	Front/Rear	20 W per channel into 4 Ω, 40 Hz to 20 000 Hz at no more than 0.8% total harmonic distortion
Signal to Noise Ratio	For northern america	80 dBA (reference: 1 W into 4 Ω)
	Except northern america	70 dB
Load Impedance		4 Ω (4 Ω to 8 Ω allowance)
Equalizer Control Range	Frequencies	60 Hz, 150 Hz, 400 Hz, 1 kHz, 2.5 kHz, 6.3 kHz, 15 kHz
	Level	±10 dB
Audio Output Level (F-OUT/R-OUT/CENTER/SUBWOOFER)	Line-Out Level/Impedance	2.5 V/20 kΩ load (full scale)
	Output Impedance	1 kΩ
Color System		NTSC (for northern america) PAL (for europe and australia) PAL/NTSC (for asisa)
Video Output (composite)		1 Vp-p/75 Ω
Other Terminals	Input	LINE IN, VIDEO IN, Antenna input
	Output	2nd AUDIO OUT
	Others	CD changer, AV BUS
<b>FM/AM TUNER</b>		
Frequency Range	FM (for northern america)	87.5 MHz to 107.9 MHz (with channel interval set to 100 kHz or 200 kHz) 87.5 MHz to 108.0 MHz (with channel interval set to 50 kHz)
	Fm (except northern america)	87.5 MHz to 108.0 MHz
	AM (for northern america)	530 kHz to 1 710 kHz (with channel interval set to 10 kHz) 531 kHz to 1 602 kHz (with channel interval set to 9 kHz)
	AM (for europe and australia)	(MW) 522 kHz to 1 620 kHz (LW) 144 kHz to 279 kHz
	AM (for asia)	531 kHz to 1 602 kHz
FM Tuner	Usable Sensitivity	11.3 dBf (1.0 μV/75 Ω)
	50 dB Quieting Sensitivity	16.3 dBf (1.8 μV/75 Ω)
	Alternate Channel Selectivity (400 kHz)	65 dB
	Frequency Response	40 Hz to 15 000 Hz
	Stereo Separation	35 dB
AM Tuner (for northern america)	Sensitivity/Selectivity	20 μV/35 dB
MW Tuner (for europe and australia)	Sensitivity/Selectivity	20 μV/35 dB
LW Tuner (for europe and australia)	Sensitivity	50 μV
AM Tuner (for asia)	Sensitivity/Selectivity:	20 μV/35 dB
<b>DVD/CD</b>		
Signal Detection System		Non-contact optical pickup (semiconductor laser)
Frequency Response	DVD, fs=48 kHz	16 Hz to 22 000 Hz
	DVD, fs=96 kHz	16 Hz to 44 000 Hz
	VCD/CD	16 Hz to 20 000 Hz
Dynamic Range		93 dB
Signal-to-Noise Ratio		95 dB
Wow and Flutter		Less than measurable limit

<b>MONITOR</b>		
Screen Size	6.5 inch wide liquid crystal display	
Number of Pixel	280 800 pixels: 400 (horizontal) × 3 × 234 (vertical)	
Drive Method	TFT (Thin Film Transistor) active matrix format	
Color System	NTSC (for northern america) PAL/NTSC (except northern america)	
Aspect Ratio	16:9 (wide)	
Allowable Storage Temperature	-10°C to +60°C (14°F to 140°F)	
Allowable Operating Temperature	0°C to +40°C (32°F to 104°F)	
<b>GENERAL</b>		
Power Requirement	Operating Voltage	DC 14.4 V (11 V to 16 V allowance)
Grounding System	Negative ground	
Allowable Operating Temperature	0°C to +40°C (32°F to 104°F)	
Dimensions (W × H × D)	Installation Size (approx.)	178 mm × 100 mm × 160 mm (7-1/16" × 3-15/16" × 6-5/16")
	Panel Size (approx.)	170 mm × 93 mm × 29 mm (6-3/4" × 3-11/16" × 1-3/16")
Mass (approx.)	2.6 kg (5.8 lbs) (excluding accessories)	

Design and specifications are subject to change without notice.

# SECTION 1 PRECAUTIONS

## 1.1 Safety Precautions

 **CAUTION** Burrs formed during molding may be left over on some parts of the chassis. Therefore, pay attention to such burrs in the case of performing repair of this system.

 **CAUTION** Please use enough caution not to see the beam directly or touch it in case of an adjustment or operation check.

## 1.2 Preventing static electricity

Electrostatic discharge (ESD), which occurs when static electricity stored in the body, fabric, etc. is discharged, can destroy the laser diode in the traverse unit (optical pickup). Take care to prevent this when performing repairs.

### 1.2.1 Grounding to prevent damage by static electricity

Static electricity in the work area can destroy the optical pickup (laser diode) in devices such as laser products.

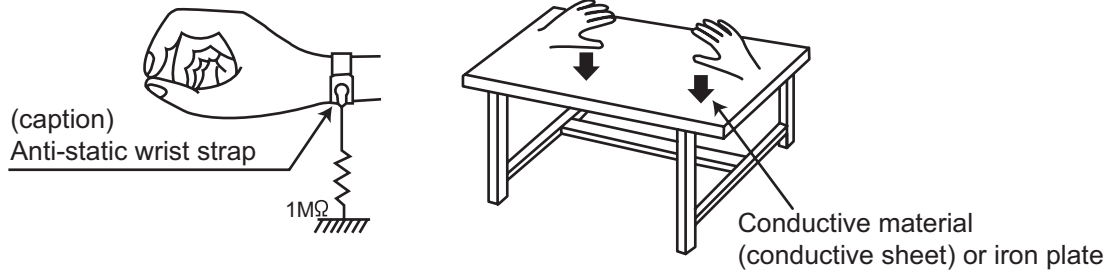
Be careful to use proper grounding in the area where repairs are being performed.

(1) Ground the workbench

Ground the workbench by laying conductive material (such as a conductive sheet) or an iron plate over it before placing the traverse unit (optical pickup) on it.

(2) Ground yourself

Use an anti-static wrist strap to release any static electricity built up in your body.



(3) Handling the optical pickup

- In order to maintain quality during transport and before installation, both sides of the laser diode on the replacement optical pickup are shorted. After replacement, return the shorted parts to their original condition. (Refer to the text.)
- Do not use a tester to check the condition of the laser diode in the optical pickup. The tester's internal power source can easily destroy the laser diode.

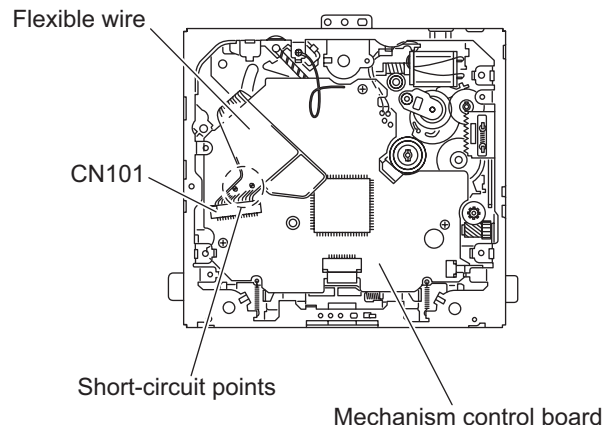
## 1.3 Handling the traverse unit (optical pickup)

- (1) Do not subject the traverse unit (optical pickup) to strong shocks, as it is a sensitive, complex unit.
- (2) Cut off the shorted part of the flexible cable using nippers, etc. after replacing the optical pickup. For specific details, refer to the replacement procedure in the text. Remove the anti-static pin when replacing the traverse unit. Be careful not to take too long a time when attaching it to the connector.
- (3) Handle the flexible cable carefully as it may break when subjected to strong force.
- (4) It is not possible to adjust the semi-fixed resistor that adjusts the laser power. Do not turn it.

## 1.4 Attention when traverse unit is decomposed

**\*Please refer to "Disassembly method" in the text for the pickup unit.**

- Apply solder to the short land before the flexible wire is disconnected from the connector on the pickup unit. (If the flexible wire is disconnected without applying solder, the pickup may be destroyed by static electricity.)
- In the assembly, be sure to remove solder from the short land after connecting the flexible wire.



## 1.5 Important for laser products

### 1.CLASS 1 LASER PRODUCT

**2.DANGER** : Invisible laser radiation when open and interlock failed or defeated. Avoid direct exposure to beam.

**3.CAUTION** : There are no serviceable parts inside the Laser Unit. Do not disassemble the Laser Unit. Replace the complete Laser Unit if it malfunctions.

**4.CAUTION** : The CD,MD and DVD player uses invisible laser radiation and is equipped with safety switches which prevent emission of radiation when the drawer is open and the safety interlocks have failed or are defeated. It is dangerous to defeat the safety switches.

**5.CAUTION** : If safety switches malfunction, the laser is able to function.

**6.CAUTION** : Use of controls, adjustments or performance of procedures other than those specified here in may result in hazardous radiation exposure.



**CAUTION** Please use enough caution not to see the beam directly or touch it in case of an adjustment or operation check.

**CAUTION** : Visible and invisible laser radiation when open and interlock failed or defeated.

AVOID DIRECT EXPOSURE TO BEAM.

**ADVARSEL** : Synlig og usynlig laserstråling når maskinen er åben eller interlocken fejler. Undgå direkte eksponering til stråling.

**VARNING** : Synlig och osynlig laserstråling när den öppnas och spärren är urkopplad. Betrakta ej strålen.

**VARO** : Avattaessa ja suojalukitus ohitettuna tai viallisena olet alttiina näkyvälle ja näkymättömälle lasersäteilylle. Vältä säteen kohdistumista suoraan itseesi.

## REPRODUCTION AND POSITION OF LABELS

### WARNING LABEL

CLASS 1  
LASER PRODUCT

**CAUTION** : Visible and Invisible laser radiation when open and interlock failed or defeated. AVOID DIRECT EXPOSURE TO BEAM. (e)

**ADVARSEL** : Synlig og usynlig laserstråling når maskinen er åben eller interlocken fejler. Undgå direkte eksponering til stråling. (d)

**VARNING** : Synlig och osynlig laserstråling när den öppnas och spärren är urkopplad. Betrakta ej strålen. (s)

**VARO** : Avattaessa ja suojalukitus ohitettuna tai viallisena olet alttiina näkyvälle ja näkymättömälle lasersäteilylle. Vältä säteen kohdistumista suoraan itseesi. (f)

**SECTION 2**  
**SPECIFIC SERVICE INSTRUCTIONS**

This service manual does not describe SPECIFIC SERVICE INSTRUCTIONS.

## SECTION 3 DISASSEMBLY

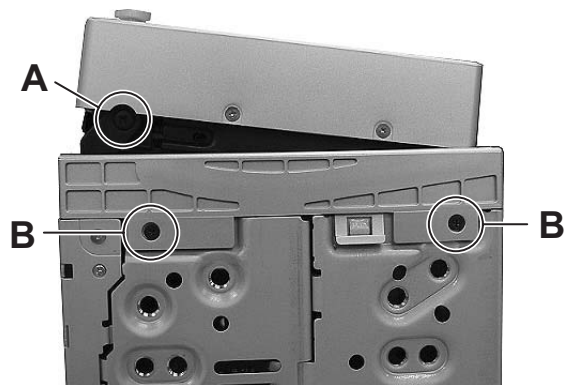
### 3.1 Main body

#### 3.1.1 Removing the front panel assembly (See Fig.1 to 4)

- (1) From the bottom side of main body, insert the screw-driver to hole of the third gear from hole **a** of the bottom chassis, and then turn the gear to clockwise until front panel assembly comes up. (See Fig.1)
- (2) Remove the two screws **A** attaching the front panel assembly. (See Fig.2)
- (3) Remove the four screws **B** attaching the front panel assembly. (See Fig.2)
- (4) Disengage the front panel assembly from hook **b** and remove the front panel assembly. (See Fig.2)
- (5) Remove the two screws **C** attaching the front panel assembly. (See Fig.3)
- (6) Disconnect the connector wire from connector **CN374** of the connection board and then take out the front panel assembly. (See Fig.4)



Fig.1

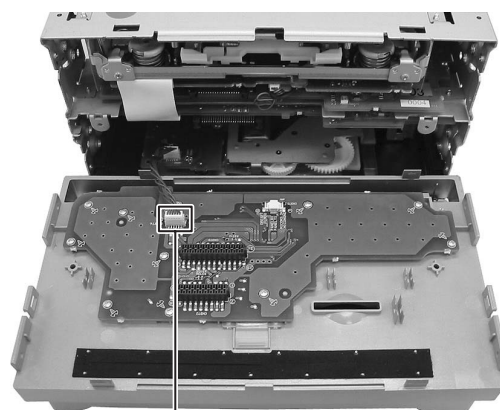


(both side)

Fig.2



Fig.3



CN374

Fig.4



### 3.1.2 Removing the bottom chassis assembly (See Fig.5 to 8)

- (1) Remove the four screws **D** and two screws **E** attaching the heat sink. (See Fig.5)
- (2) Remove the two screws **F** attaching the bottom chassis assembly. (See Fig.6)
- (3) Remove the two screws **G** attaching the bottom chassis assembly. (See Fig.7)
- (4) Remove the three screws **H** and one screw **J** attaching the rear bracket. (See Fig.8)

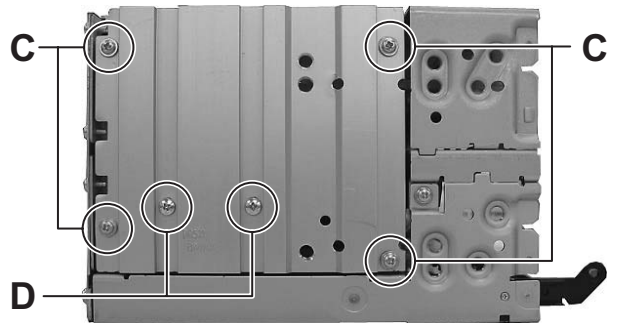


Fig.5

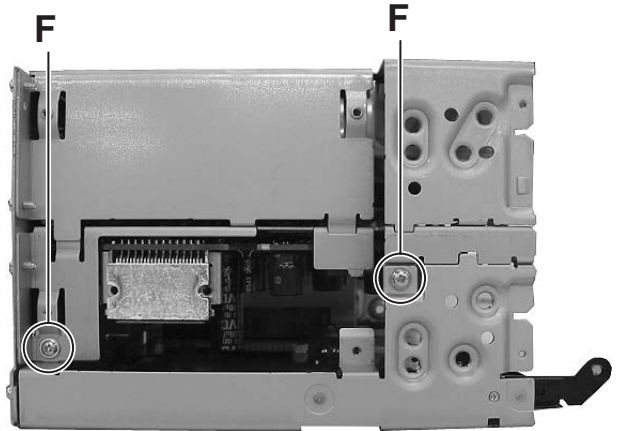


Fig.6

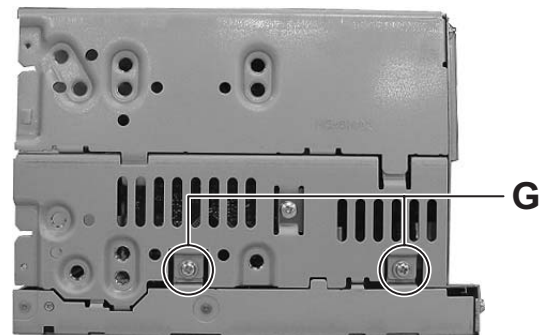


Fig.7

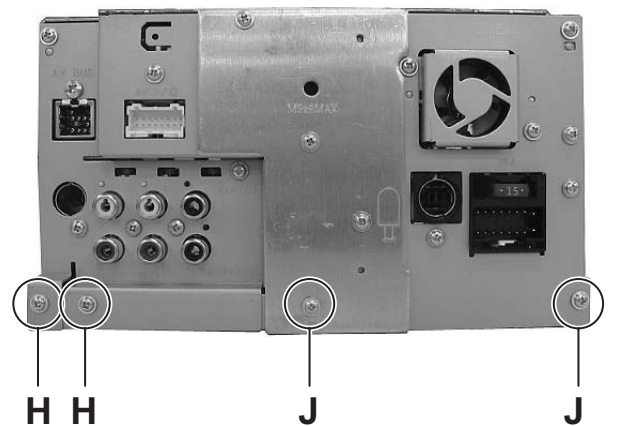


Fig.8

### 3.1.3 Removing the rear bracket (See Fig.9 and 10)

- (1) Remove the two screws **K** and one screw **L** attaching the rear heat sink. (See Fig.9)
- (2) Remove the eight screws **M**, two screws **N** and one screw **P** attaching the rear bracket. (See Fig.9)
- (3) Disconnect the connector wire from fan motor connected to [CN681](#) of the sub board. (See Fig.10)

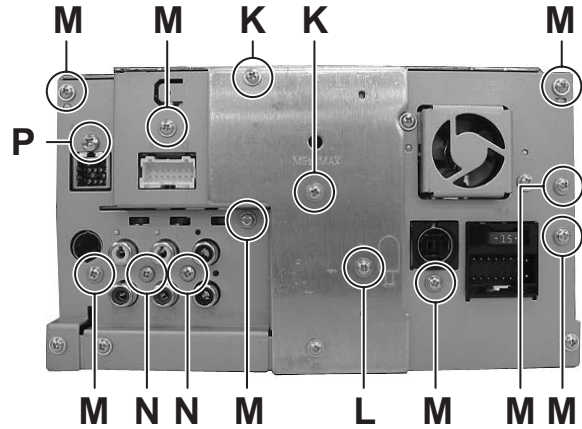


Fig.9

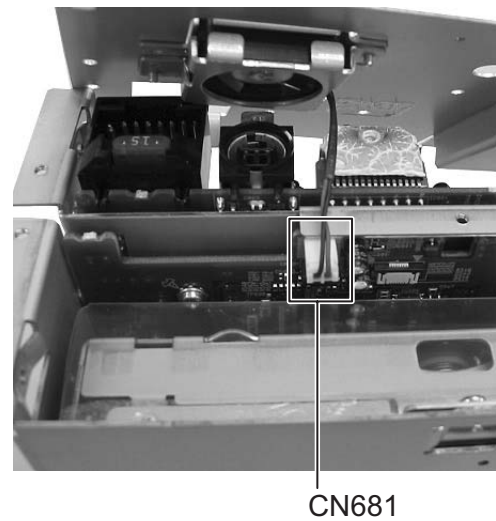
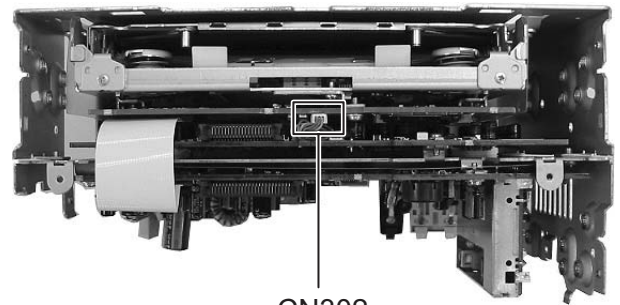


Fig.10

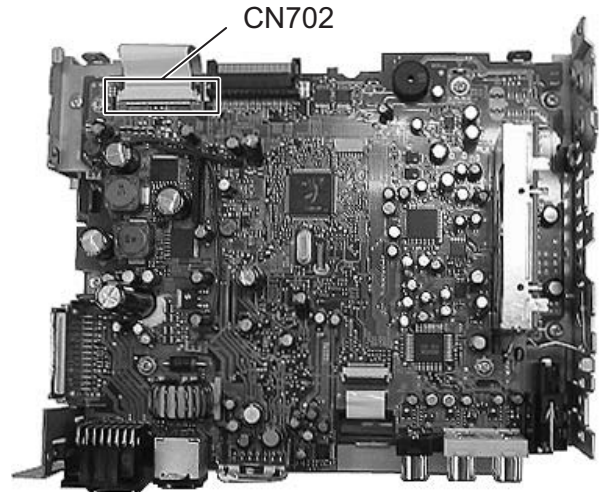
### 3.1.4 Removing the main section (See Fig.11 to 13)

- (1) Disconnect the connector wire from connector [CN302](#) of connection board. (See Fig.11)
- (2) Disconnect the card wire from connector [CN702](#) of main board. (See Fig.12)
- (3) Remove the four screws **Q** attaching the main section. (See Fig.13)



CN302

Fig.11



CN702

Fig.12

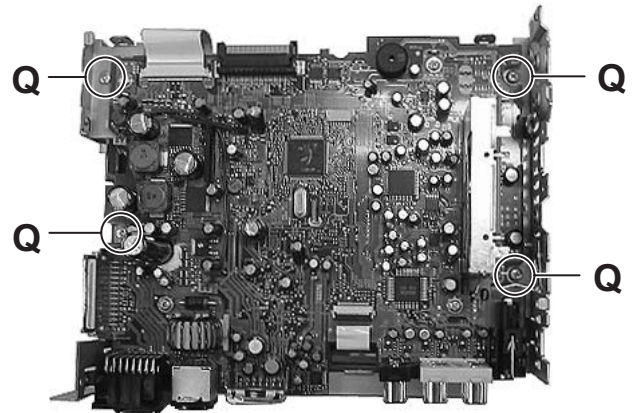


Fig.13

### 3.1.5 Removing the main board (See Fig.14)

- (1) Disconnect the card wire from connector [CN703](#) of the main board.
- (2) Remove the four screws **R** attaching the main board.

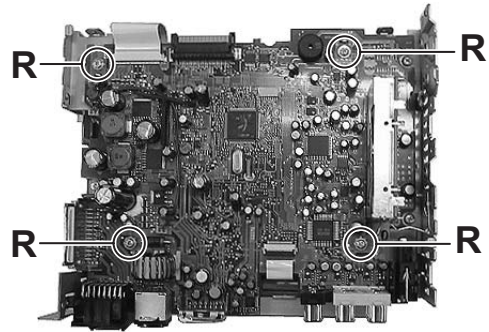


Fig.14

### 3.1.6 Removing the sub board (See Fig.15)

- (1) Remove the four screws **S** attaching the sub board.

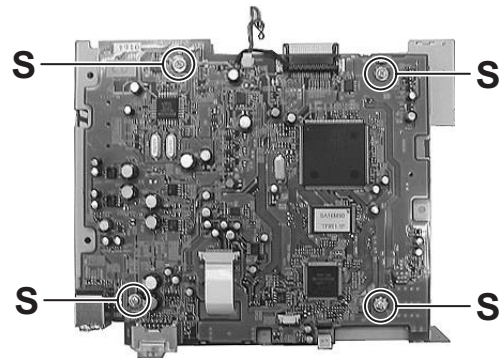


Fig.15

### 3.1.7 Removing the DVD mechanism assembly (See Fig.16)

- (1) Remove the three screws **T** attaching the DVD mechanism assembly.

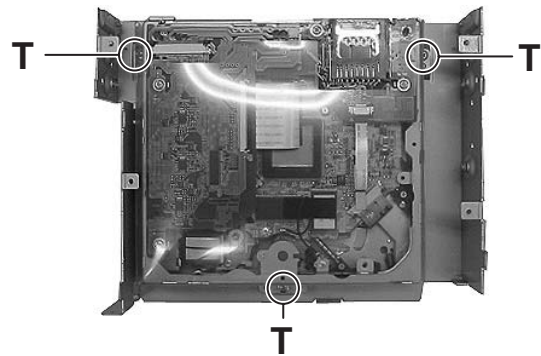


Fig.16

### 3.1.8 Removing the connection board (See Fig.17)

- (1) Remove the insulator from DVD mechanism assembly.
- (2) Disconnect the card wires from connector [CN301](#) and [CN303](#) of the connection board.
- (3) Remove the four screws **U** attaching the connection board.

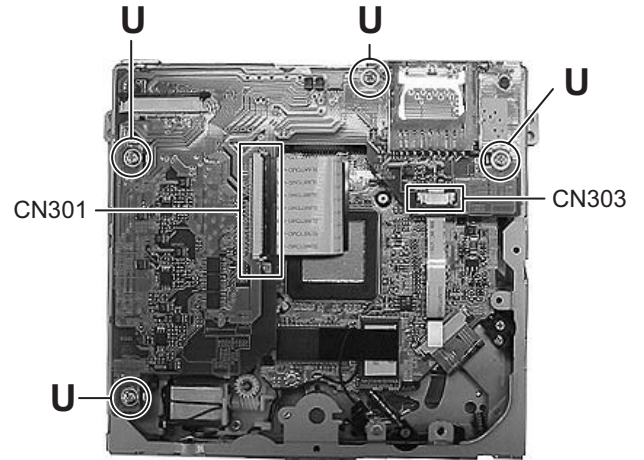


Fig.17

### 3.1.9 Removing the monitor assembly (See Fig. 18 and 19)

- (1) Remove the ten screws **V** attaching the sub connect board.  
(See Fig.18)
- (2) Disconnect the flexible wire from connector [CN371](#) of the sub connect board. (See Fig.19)

**Caution:**

In this time, DISC EJECT button come off to easy, do not lost it.

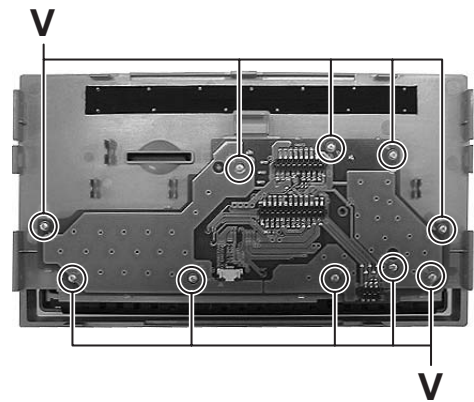


Fig.18

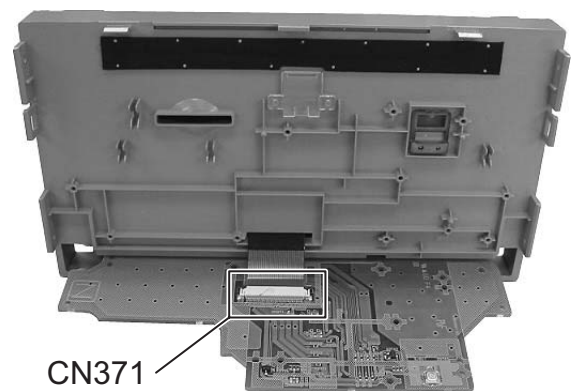


Fig.19

## 3.2 Monitor section

### 3.2.1 Removing the front bracket

(See Fig.20)

- (1) Remove the two screws **W** attaching the FPC cover.
- (2) Remove the four screws **X** and four screws **Y** attaching the front bracket assembly.
- (3) Disengage the four hooks **b** and remove the front bracket assembly.

#### Caution:

In this time, FPC cover come off to easy, do not lost it.

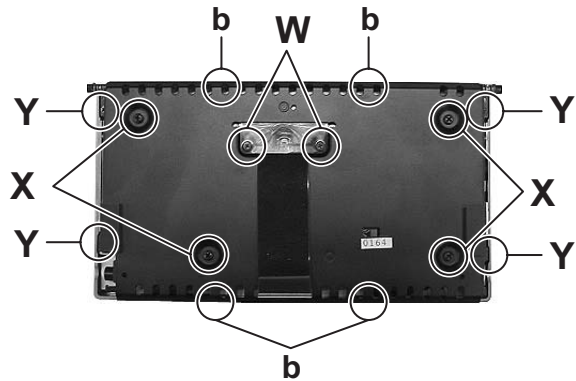


Fig.20

### 3.2.2 Removing the display unit

(See Fig.21)

- (1) Disconnect the card wires from connector [CN422](#) and [CN423](#) of the panel board.
- (2) From both side of the display unit, remove the four screws **Z** attaching the display unit.
- (3) Disengage the six hooks **c** and remove the display unit.

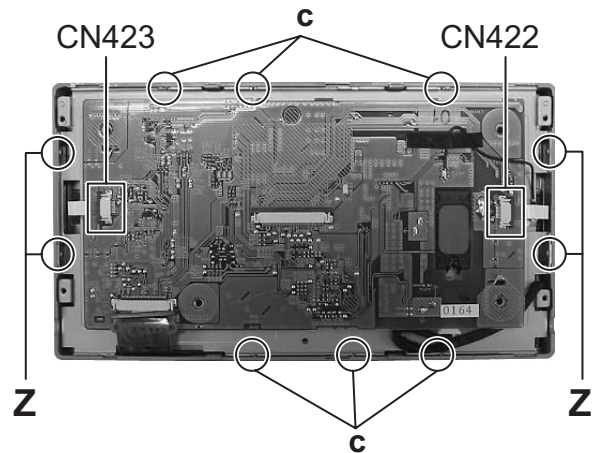


Fig.21

### 3.2.3 Removing the panel board

(See Fig.22)

- (1) Disconnect the flexible wire from connector [CN411](#) of the panel board.
- (2) Disconnect the connector wire from connector [CN471](#) of the panel board.
- (3) Remove the one screw **AA** attaching the earth wire.
- (4) Flat to two bending part **d** of the panel bracket and then remove the panel board.

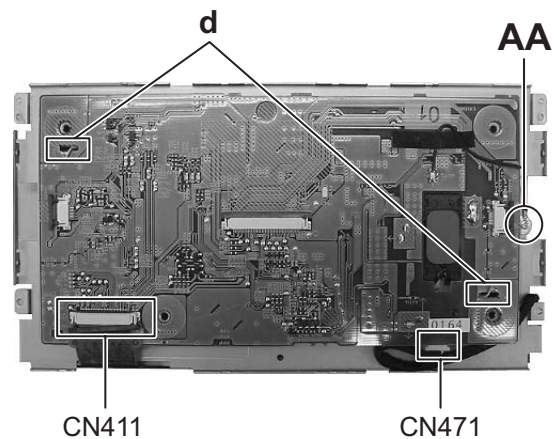


Fig.22

### 3.2.4 Removing the switch board (See Fig.23)

- (1) Remove the nine screws **BB** attaching the switch board.

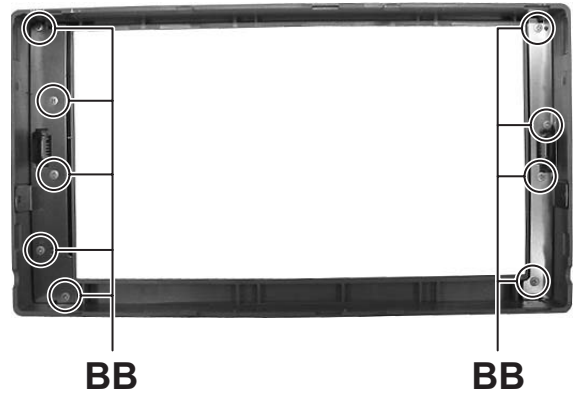


Fig.23

### 3.3 DVD mechanism assembly

#### 3.3.1 Removing the mechanism control board (See Fig.1)

**Caution:**

Before disconnecting the flexible wire extending from the DVD pickup, solder the short-circuit point on the flexible wire using a grounding soldering iron. If you do not follow this instruction, the DVD pickup may be damaged.

- (1) Turn over the body, and solder the short-circuit points on the flexible wire extending from the DVD pickup.
- (2) Disconnect the flexible wire from connector [CN101](#) on the mechanism control board.
- (3) Disconnect the card wire from connector [CN201](#) on the mechanism control board.
- (4) Disconnect the flexible wire from connector [CN202](#) on the mechanism control board.
- (5) Unsolder two soldered points **a** on the mechanism control board and remove the wire extending from the feed motor.
- (6) Remove the screw **A** attaching the lug wire.
- (7) Remove the two screws **B** and screw **C** attaching the mechanism control board.

**Caution:**

- As the flexible wire to be connected to [CN101](#), make sure to attach it to the mechanism control board using a double tape.
- After reassembling, unsolder the short-circuit points.

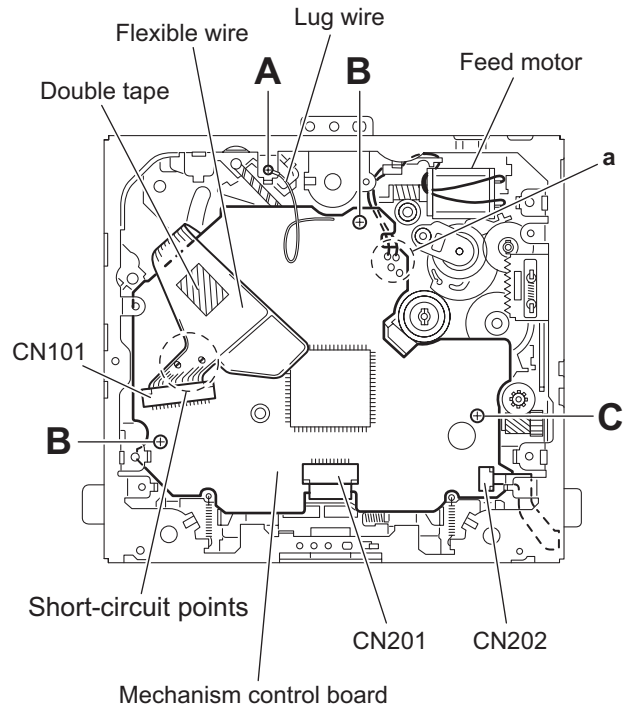


Fig.1



### 3.3.2 Removing the top cover

(See Fig.2)

- (1) Remove the two screws **D** attaching the top cover on the back of the body.
- (2) Remove the top cover upward.

#### Reference:

When reassembling, set part **b** of the top cover under the bending part **c** of the chassis frame.

### 3.3.3 Removing the mechanism section

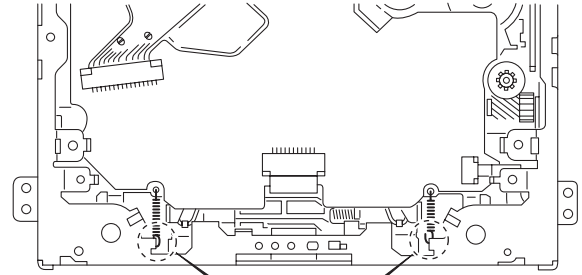
(See Fig.2 to 4)

- Remove the top cover.
  - (1) From the bottom of the body, remove the screw **E** attaching the lug wire. (See Fig.2.)
  - (2) Remove the two screws **F** attaching the right and left stoppers on the front side. (See Fig.2.)
  - (3) Remove the two floating springs on the bottom of the body. (See Fig.3.)
  - (4) Move the mechanism section upward and remove from the chassis frame.

The three damper springs come off from the dampers. (See Fig.4.)

#### Caution:

- When reassembling, reattach the damper spring to the damper respectively and insert the three shafts on the bottom of the mechanism to the dampers.
- Before inserting the shaft to the dampers, apply IPA to the hole of damper.



Floating spring

Fig.3

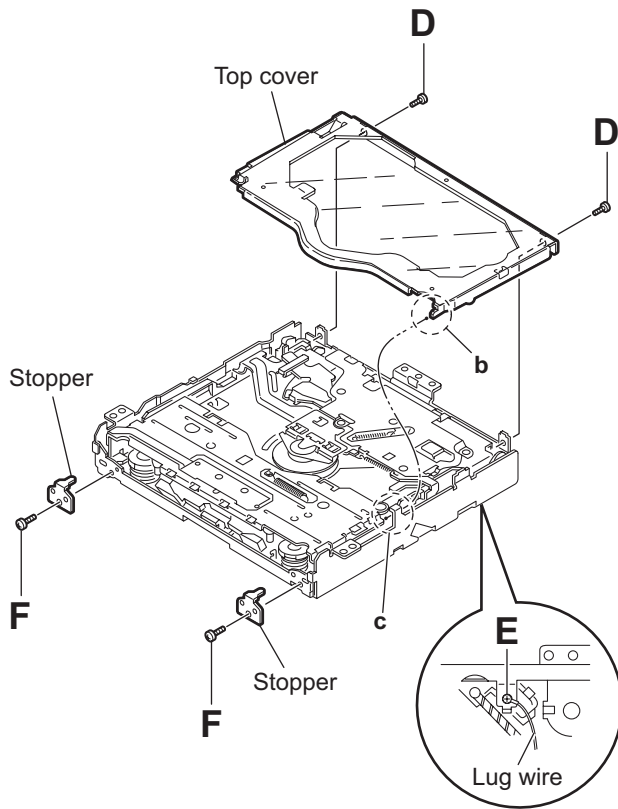


Fig.2

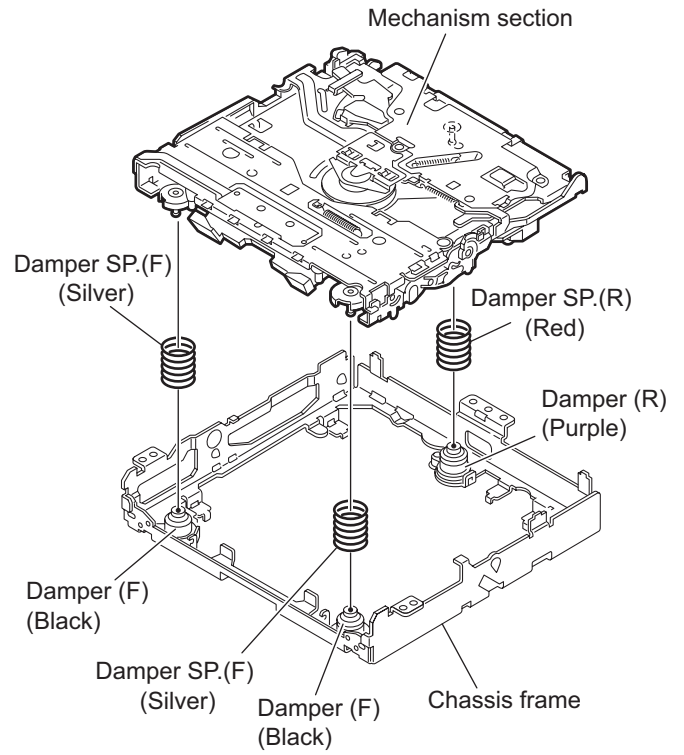


Fig.4

### 3.3.4 Removing the clamper unit (See Fig.5 to 7)

- Remove the top cover and the mechanism section.
  - Remove the clamper2 spring on the bottom of the mechanism section. (See Figs.5.and 6.)
  - Release the part **d** of the clamper spring from the bending part of the chassis base assembly. (See Fig.7.)
  - Move the clamper unit in the direction of the arrow and turn. Release the two joints **e** and **f**, then remove the clamper unit upward. (See Fig.6.)

### 3.3.5 Reattaching the clamper unit (See Fig.5 to 9)

- Attach the clamper spring to the clamper unit. (See Fig.8.)
- Move the clamper unit to set the side joints **e** and **f** to each boss of the chassis base assembly. Make sure that part **g** is inserted to the notch of the chassis base assembly. (See Figs.5 and 9.)
- Move the part **d** of the clamper spring to the outside of the bending part of the chassis base assembly. (See Fig.7.)
- Attach the clamper2 spring to the chassis base assembly. (See Figs.5 and 6.)

#### Caution:

When reattaching, temporarily hook the end of the clamper spring as shown in the figure to make the work easy. (See Fig.8.)

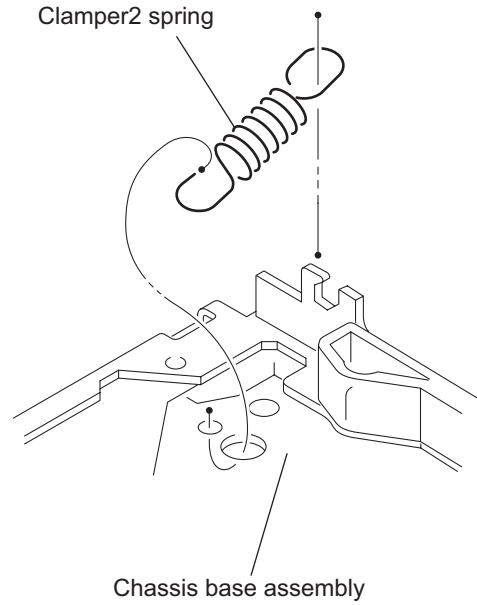


Fig.6

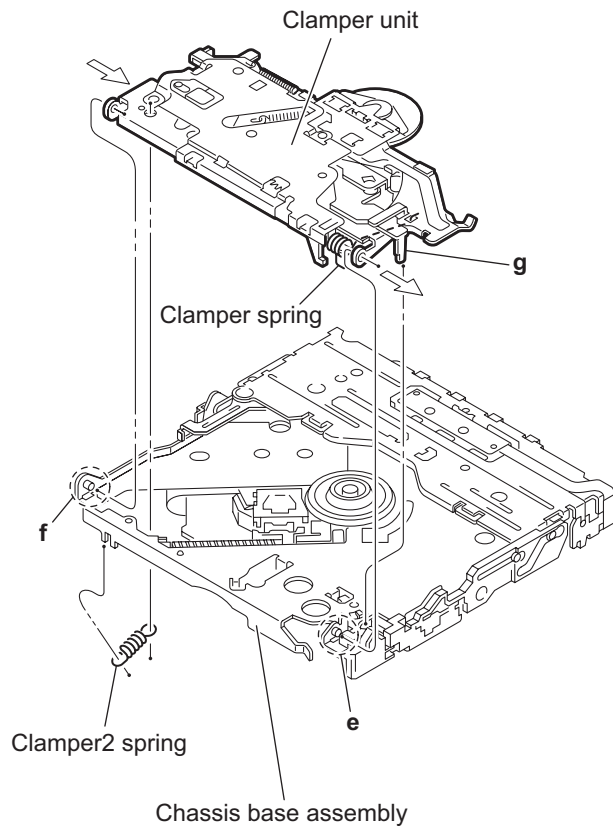


Fig.5

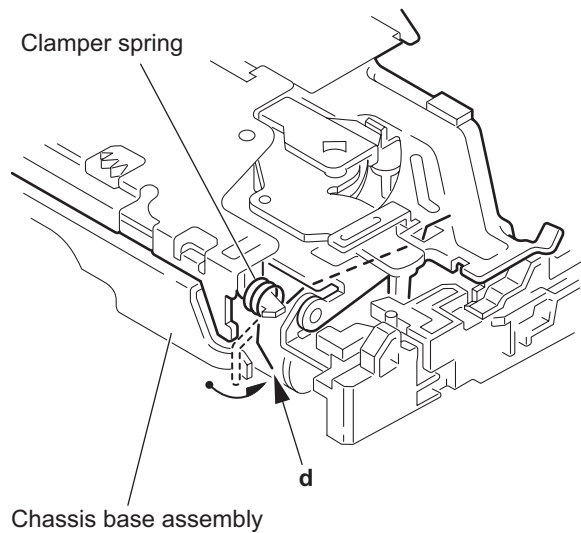


Fig.7

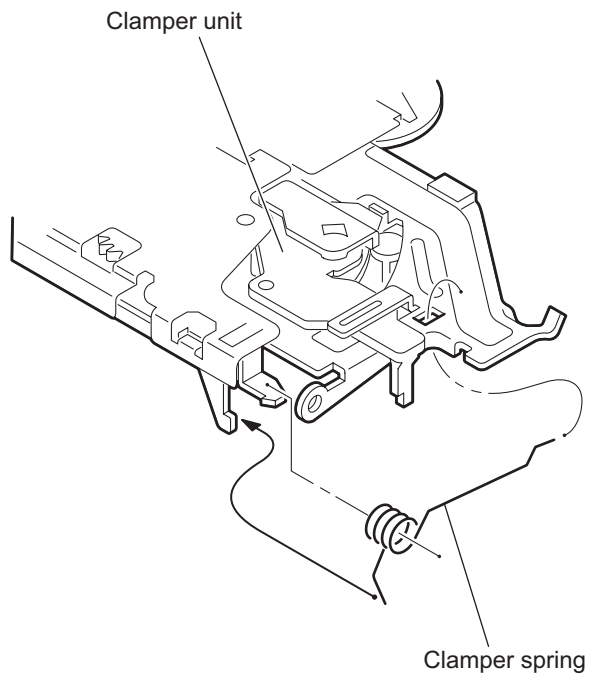


Fig.8

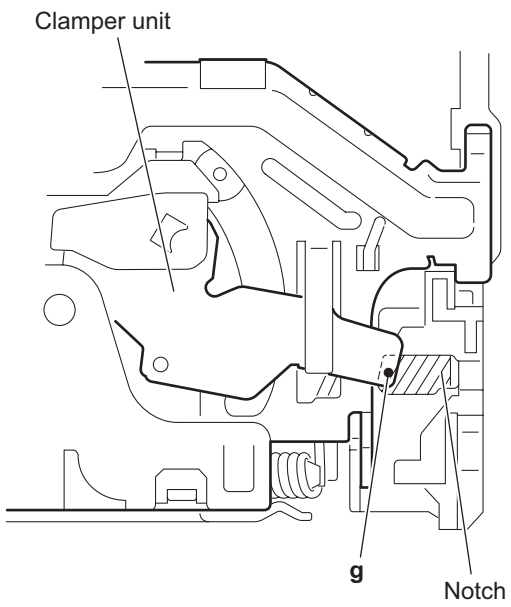


Fig.9

### 3.3.6 Removing the front unit (See Fig.10 to 12)

- Remove the top cover and the mechanism section.
  - Disconnect the flexible wire from connector **CN202** on the mechanism control board at the bottom of the body. (See Fig.10.)
  - Remove the screw **G** attaching the front unit on the top of the body. (See Fig.11.)
  - Move the front unit toward the front to release joint **h**, and release two joints **i** and **j** on the right side of the chassis base assembly. Then remove the front unit upward. (See Figs.11 and 12.)
  - Remove the two screws **H** attaching the switch board. (See Fig.12.)

#### Reference:

You can remove the switch board only without removing the front unit.

#### Caution:

When reassembling, attach the flexible wire extending from the switch board using the double tape. (See Figs.10 and 12.)

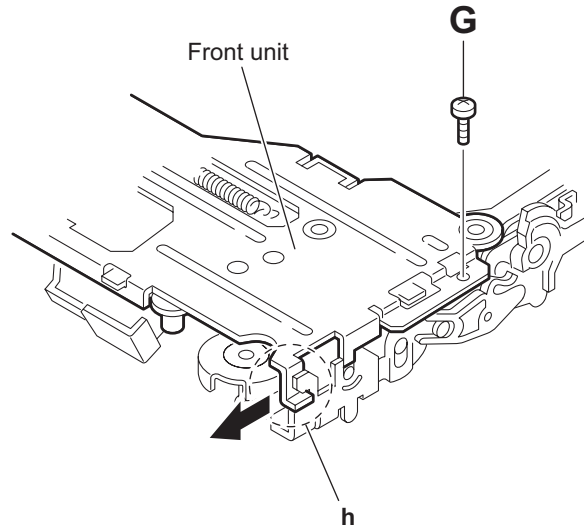


Fig.11

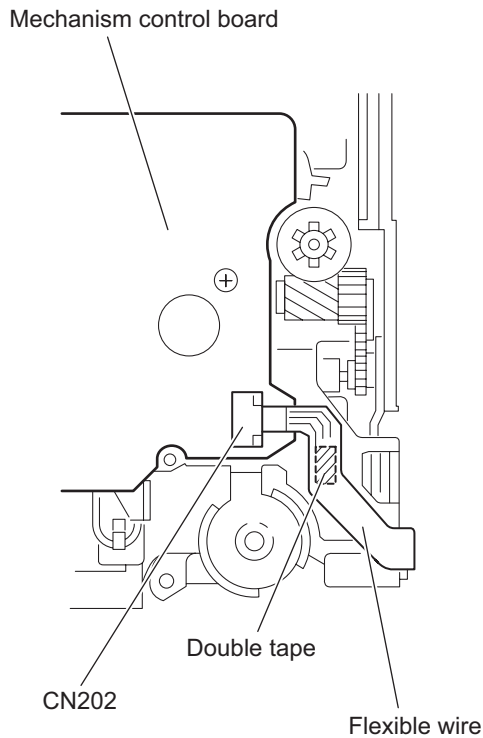


Fig.10

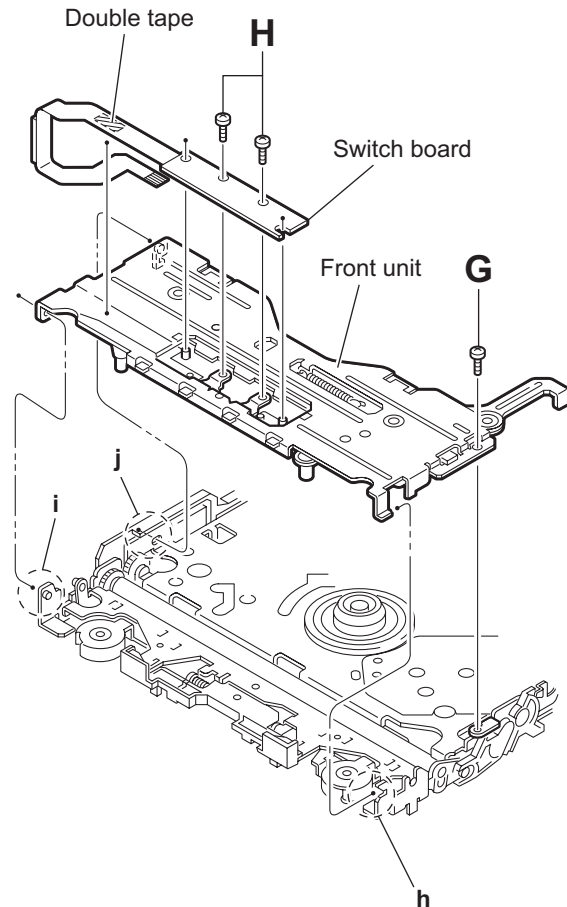


Fig.12

### 3.3.7 Removing the loading arm assembly (See Fig.13 , 14)

- Remove the top cover, the mechanism section and the front unit.
  - (1) From the top of the body, move the loading arm assembly from the front side upward, and release the bosses from the right and left joints **k** and **m** of the chassis base assembly.
  - (2) Release the boss from notch **n** of the connect arm on the right side of the body, and release the boss from notch **p** of the slide cam assembly on the left side.

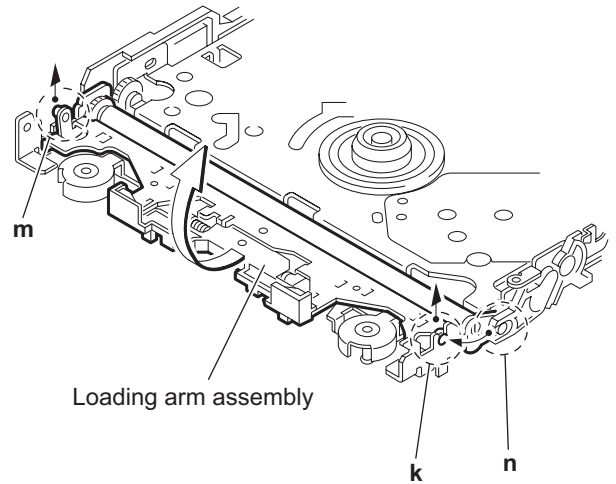


Fig.13

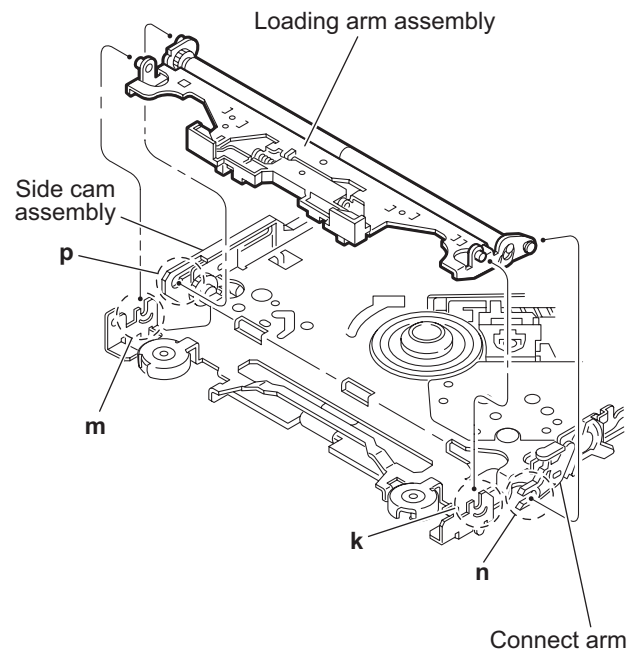


Fig.14

### 3.3.8 Removing the rod (L)(R)/roller assembly (See Fig.15 and 16)

- Remove the top cover, the mechanism section, the front unit and the loading arm assembly.
  - Release the rod (L) and (R) from the joints **q** at the bottom of the loading arm assembly (See Fig.15.)
  - Remove the roller assembly from the loading arm assembly. (See Fig.16.)
  - Remove the two collars and washer from the roller assembly. (See Fig.16.)

**Caution:**

After attaching the loading arm assembly to the roller assembly, attach the rod (L) and (R). Attach the rods to the right and left collars of the roller. (See Fig.15.)  
When reattaching the rod (L) and (R) to the loading arm assembly, engage each joint as shown in Fig.15. As joints **q** of the rod (L), let the rod through **q** before reattaching it.

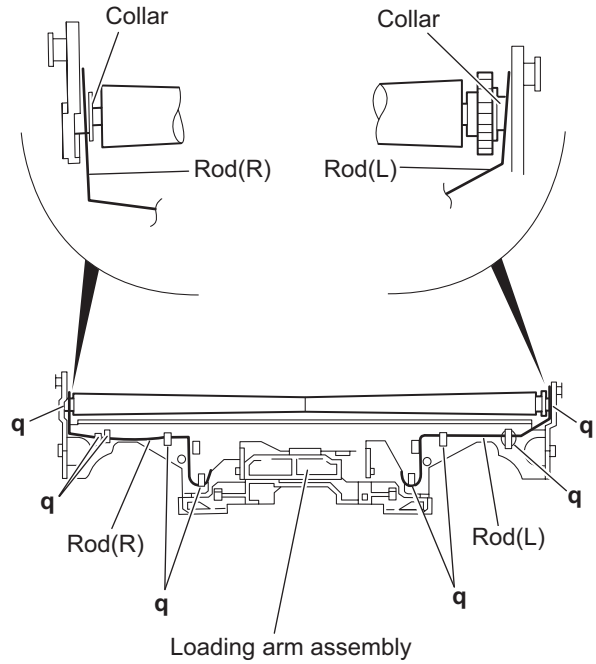


Fig.15

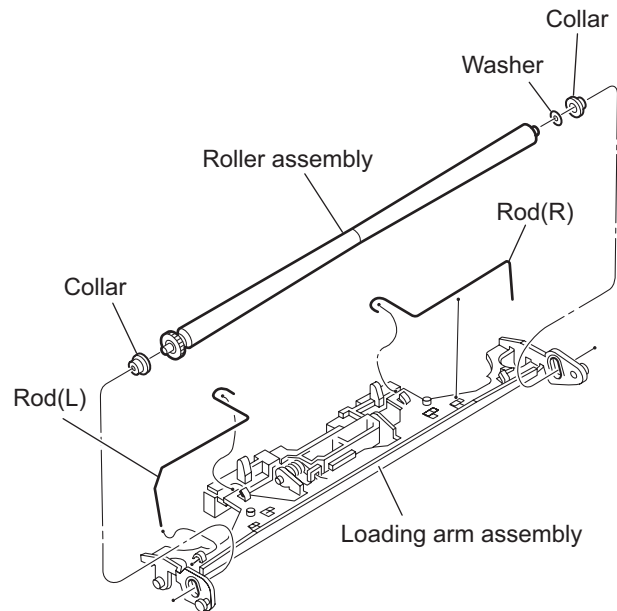


Fig.16

### 3.3.9 Removing the DVD pickup assembly (See Fig.17 to 19)

- Remove the mechanism control board.
  - (1) From the bottom of the body, turn the feed gear in the direction of the arrow to move the DVD pickup outwards. (See Fig.17.)
  - (2) Remove the screw **J** attaching the thrust spring. (See Fig.17.)
  - (3) Remove the DVD pickup assembly upward on the L.S.gear side and release from sub shaft at joint **r**. Move the lead screw of the DVD pickup assembly in the direction of the arrow to release from joint **s**. (See Fig.18.)

**Caution:**

- When releasing the lead screw at joint **s**, the L.S.collar comes off at the end of the lead screw. When reassembling, reattach the L.S.collar to the lead screw and engage joint **s**. (See Fig.18.)
  - When reattaching the L.S.collar, reattach it to the point **s** of the lead screw, and to the rod (M). Make sure that the L.S.collar is set on the rod (M) spring. (See Fig.18.)
- (4) Remove the screw **K** attaching the rack spring/ rack plate on the DVD pickup. (See Fig.19.)
  - (5) Pull out the lead screw. (See Fig.19.)

**Caution:**

Perform adjustment after replacing the pickup.

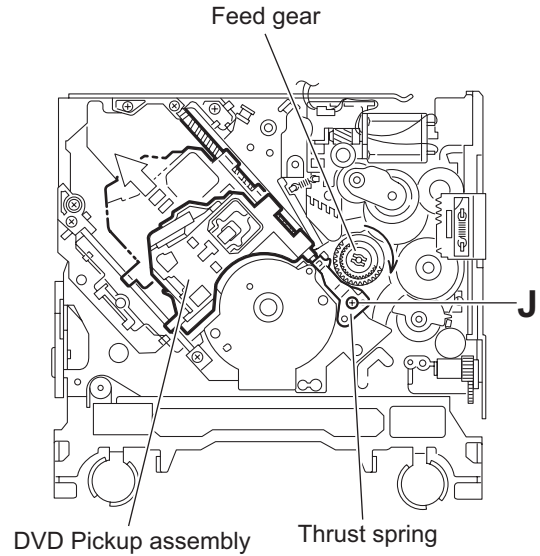


Fig.17

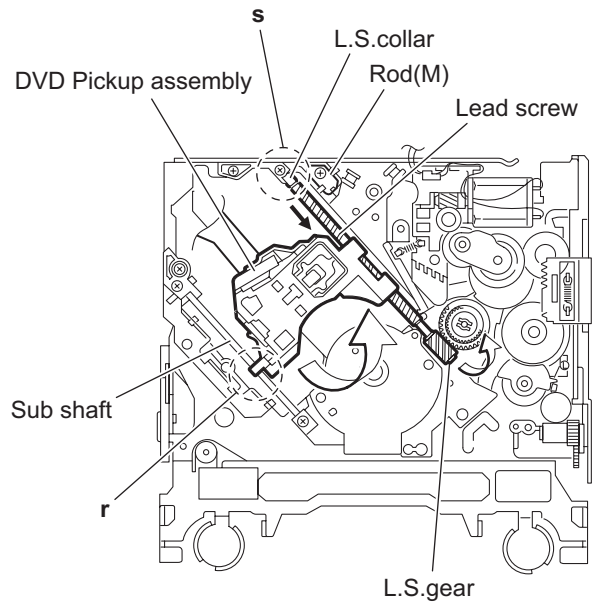


Fig.18

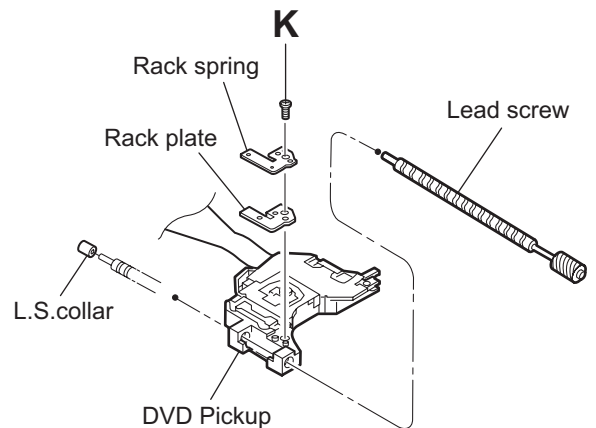


Fig.19

### 3.3.10 Removing the spindle motor (See Fig.20)

- Remove the mechanism control board.  
Remove the two screws **L** attaching the spindle motor on the bottom of the body.

#### Caution:

Perform adjustment when reattaching the spindle motor.

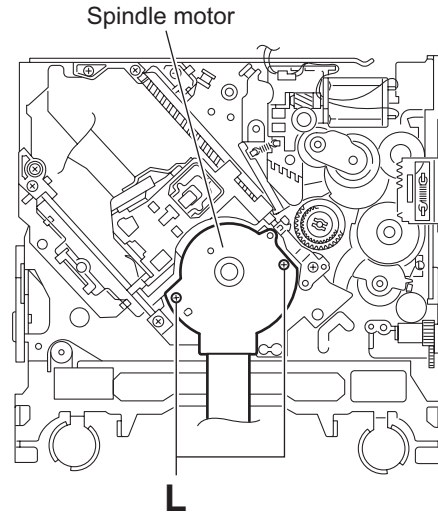


Fig.20

### 3.3.11 Removing the feed motor assembly (See Fig.21 and 22)

- Remove the mechanism control board.
  - Remove the feed TRI. spring on the bottom of the body.  
(See Fig.21.)
  - Remove the two screws **M** attaching the feed motor assembly. (See Fig.21.)
  - Remove the slit washer from the motor H. assembly and pull out the worm wheel. (See Fig.22.)

Remove the two screws **N** attaching the feed motor. (See Fig.22.)

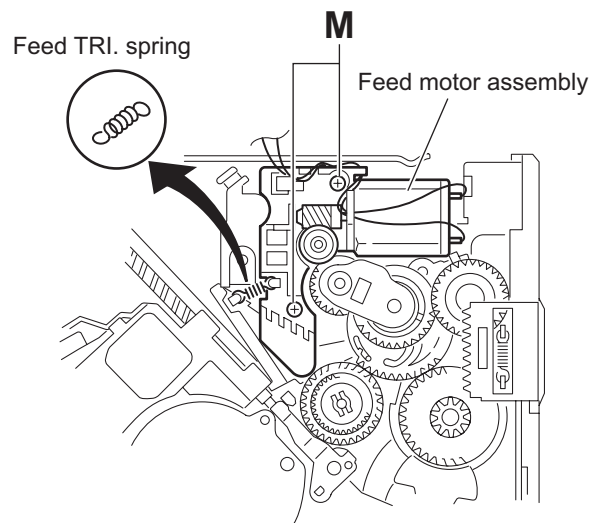


Fig.21

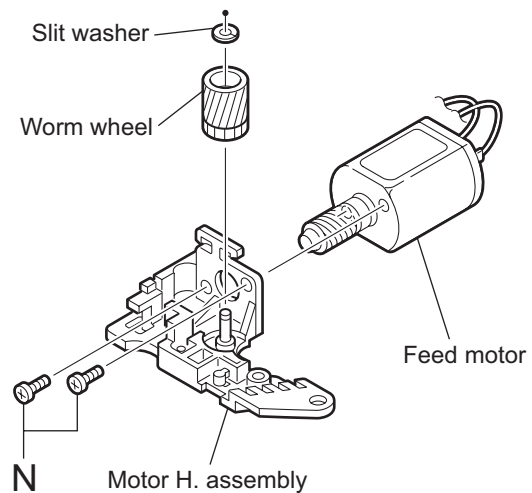


Fig.22



# SECTION 4 ADJUSTMENT

## 4.1 Test instruments required for adjustment

- (1) Digital oscilloscope (100MHz)
- (2) Jitter meter
- (3) Digital tester
- (4) Electric voltmeter
- (5) Tracking offset meter
- (6) Test Disc : VT501 or VT502
- (7) Extension studs : STDV001-3P
- (8) Extension cable :
  - EXTJD001-45PF (CN702 - CN305)
  - EXTDV001-40PF (CN371 - CN421)
  - EXTDV001-24PF (CN602 - CN703)
  - EXTJD001-10PF (CN404 - CN303)
  - EXTJD001-60PF (CN301 - CN401)
  - EXTCN001-3P (CN302 - CN604)
  - EXTCN001-6P (CN374 - CN381)
  - EXTFP001-18P (CN601 - CN372)
  - EXTFP001-24P (CN701 - CN373)

## 4.2 Standard measuring conditions

Power supply voltage	DC14.4V(11 to 16V)
Load impedance	4Ω(2 Speakers connection)
Line Output	20KΩ

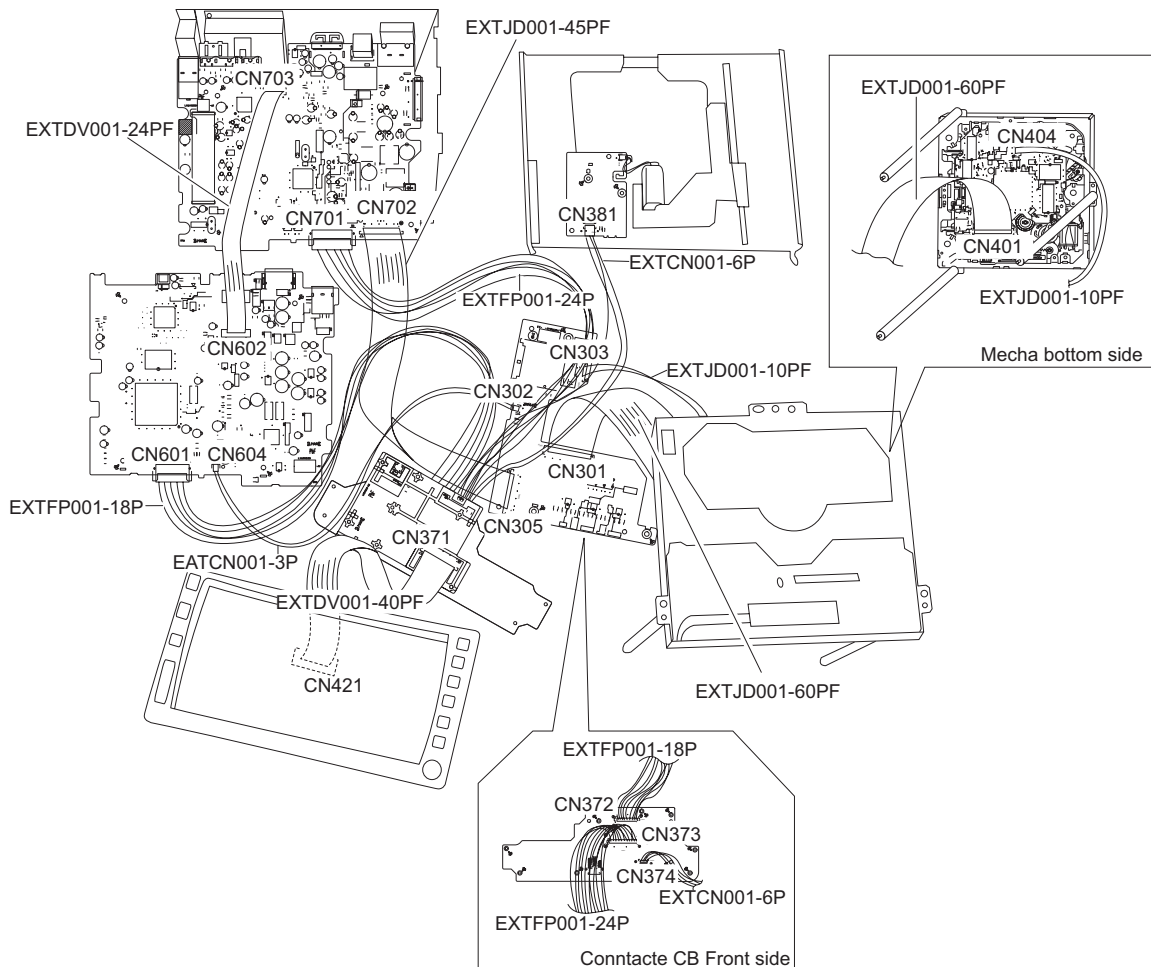
### Caution:

Be sure to attach the heat sink and rear bracket onto the power amplifier IC and regulator IC respectively, before supply the power. If voltage is applied without attaching these parts, the power amplifier IC and regulator IC will be destroyed by heat.

## 4.3 Connection method

### Connection procedure

- (1) Attach the front chassis assembly to the main board.
- (2) Attach the heat sink and rear bracket to the main board.
- (3) Attach the extension studs to the DVD mechanism assembly.
- (4) Connect the DVD mechanism assembly and the main board with a extension cable.



#### 4.4 Adjustment method for jitter

After replacing the pickup, set the unit in the service mode to display a jitter value on the LCD.

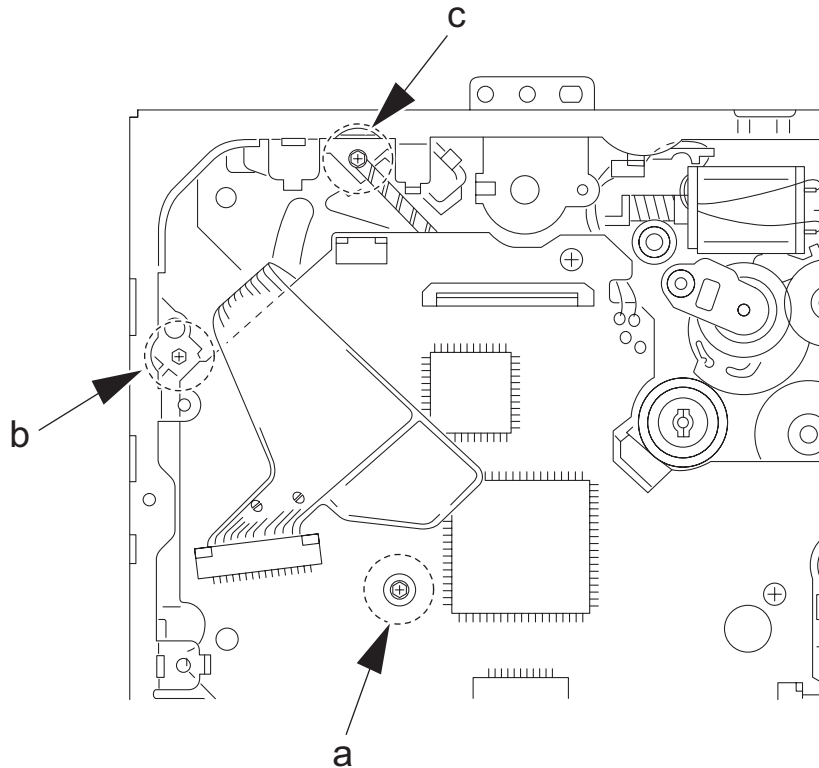
Confirm that the jitter value measured with a jitter meter is within 12% of the jitter value displayed on the LCD.

If it is within 12%, then adjustment is not necessary.

If the measured jitter value is outside the 12% tolerance range, perform the following adjustments.

##### 4.4.1 Adjustment procedure

- (1) Set the unit to the service mode and display a jitter value (hex data) on the LCD.
- (2) Turn each of the screws a, b and c, by a half-turn per step, in the direction that reduces the jitter value in order to minimize it.  
(Do not turn a screw more than a half turn at a time, but adjust the screws in the cycle of the same level is turned in the pair of b+c and the same level is turned in the pair of a+b.)
- (3) After completing the adjustment, secure the screws with screw lock paint.



Jitter value adjustment procedure (Pickup horizontal level adjustment relative to the DVD recording surface)

(For the adjustment tool use a 3 mm wrench and not a screwdriver, this procedure will make the adjustment easier.)

3 mm wrench



- (1) Set the unit to the service mode and display a jitter value (hex data) on the LCD.
- (2) Turn each of the screws a, b and c, by a half-turn per step, in the direction that reduces the jitter value in order to minimize it.  
(Do not turn a screw more than a half turn at a time, but adjust the screw in the cycle of same level turn by pair of b+c → pair of a+b.)
- (3) After completing the adjustment, secure the screws with screw lock paint.

#### 4.5 Jitter value conversion table

Load the test DVD and set the unit to the service mode. A jitter value converted to the hex value is displayed on the LCD. Refer to the corresponding decimal notation value shown in the following Jitter Conversion Table.

The adjustment is OK if the jitter value measured with a jitter meter is within 12% of the jitter value displayed on the LCD. If the measured jitter value is outside the 12% tolerance range, adjust it to minimize the difference between the measured value and the displayed value.

Indicated on the LCD	Jitter value (%)	Indicated on the LCD	Jitter value (%)	Indicated on the LCD	Jitter value (%)
EF56	4.7	E79E	8.5	DFE6	12.3
EF22	4.8	E76A	8.6	DFB2	12.4
EEEE	4.9	E736	8.7	DF7E	12.5
EEBA	5.0	E702	8.8	DF4A	12.6
EE86	5.1	E6CE	8.9	DF16	12.7
EE52	5.2	E69A	9.0	DEE2	12.8
EE1E	5.3	E666	9.1	DEAE	12.9
EDEA	5.4	E632	9.2	DE7A	13.0
EDB6	5.5	E5FE	9.3	DE46	13.1
ED82	5.6	E5CA	9.4	DE12	13.2
ED4E	5.7	E596	9.5	DDDE	13.3
ED1A	5.8	E562	9.6	DDAA	13.4
ECE6	5.9	E52E	9.7	DD76	13.5
ECB2	6.0	E4FA	9.8	DD42	13.6
EC7E	6.1	E4C6	9.9	DD0E	13.7
EC4A	6.2	E492	10.0	DCDA	13.8
EC16	6.3	E45E	10.1	DCA6	13.9
EBE2	6.4	E42A	10.2	DC72	14.0
EBAE	6.5	E3F6	10.3	DC3E	14.1
EB7A	6.6	E3C2	10.4	DC0A	14.2
EB46	6.7	E38E	10.5	DBD6	14.3
EB12	6.8	E35A	10.6	DBA2	14.4
EADE	6.9	E326	10.7	DB6E	14.5
EAAA	7.0	E2F2	10.8	DB3A	14.6
EA76	7.1	E2BE	10.9	DB06	14.7
EA42	7.2	E28A	11.0	DAD2	14.8
EA0E	7.3	E256	11.1	DA9E	14.9
E9DA	7.4	E222	11.2	DA6A	15.0
E9A6	7.5	E1EE	11.3	DA36	15.1
E972	7.6	E1BA	11.4	DA02	15.2
E93E	7.7	E186	11.5	D9CE	15.3
E90A	7.8	E152	11.6	D99A	15.4
E8D6	7.9	E11E	11.7	D966	15.5
E8A2	8.0	E0EA	11.8	D932	15.6
E86E	8.1	E0B6	11.9	D8FE	15.7
E83A	8.2	E082	12.0	D8CA	15.8
E806	8.3	E04E	12.1	D896	15.9
E7D2	8.4	E01A	12.2	D862	16.0

Calculation	
Indicated on the LCD	Jitter (%)
E9A6	7.5

## 4.6 Service mode

### 4.6.1 Service mode 1 (Indication of a service mode 1 is nothing.)

Keep this state more 2 seconds while continuing pressing the [STANDBY/ON ATTENUATOR] button and [OPEN] button sequentially.

Screen indication

NO EJECT?	* 1
EMERGENCY EJECT?	* 2

Exchanging it operate a menu of a service mode with the [UP] button and [DOWN] button. Operate choice of a menu with a [ENT] button.

\*1 : When an [ENT] button is pushed in NO EJECT indication, it is set by an EJECT prohibition mode.

When an [ENT] button is pushed in EJECT OK indication, it is set by a normal mode.

\*2 : Forced EJECT movement

A screen becomes normal indication after an ENT button was pushed.

### 4.6.2 Service mode 2

Keep this state more 2 seconds while continuing pressing the [MENU] button, [VOLUME-] button and [ENT] button sequentially.

Screen indication

SERVICE MODE 2
INITIALIZE DVD

Press the [ENT] button.

SERVICE MODE 2
INITIALIZE DVD
OK **

Full initialization of EEPROM of a DVD unit ( It is included a permanent domain)  
After clear completion, this indication is continued till an effective key is input. (OK \*\*)

### 4.6.3 Service mode 3

Keep this state more 2 seconds while continuing pressing the [MENU] button, [VOLUME+] button and [ENT] button sequentially.

Screen indication

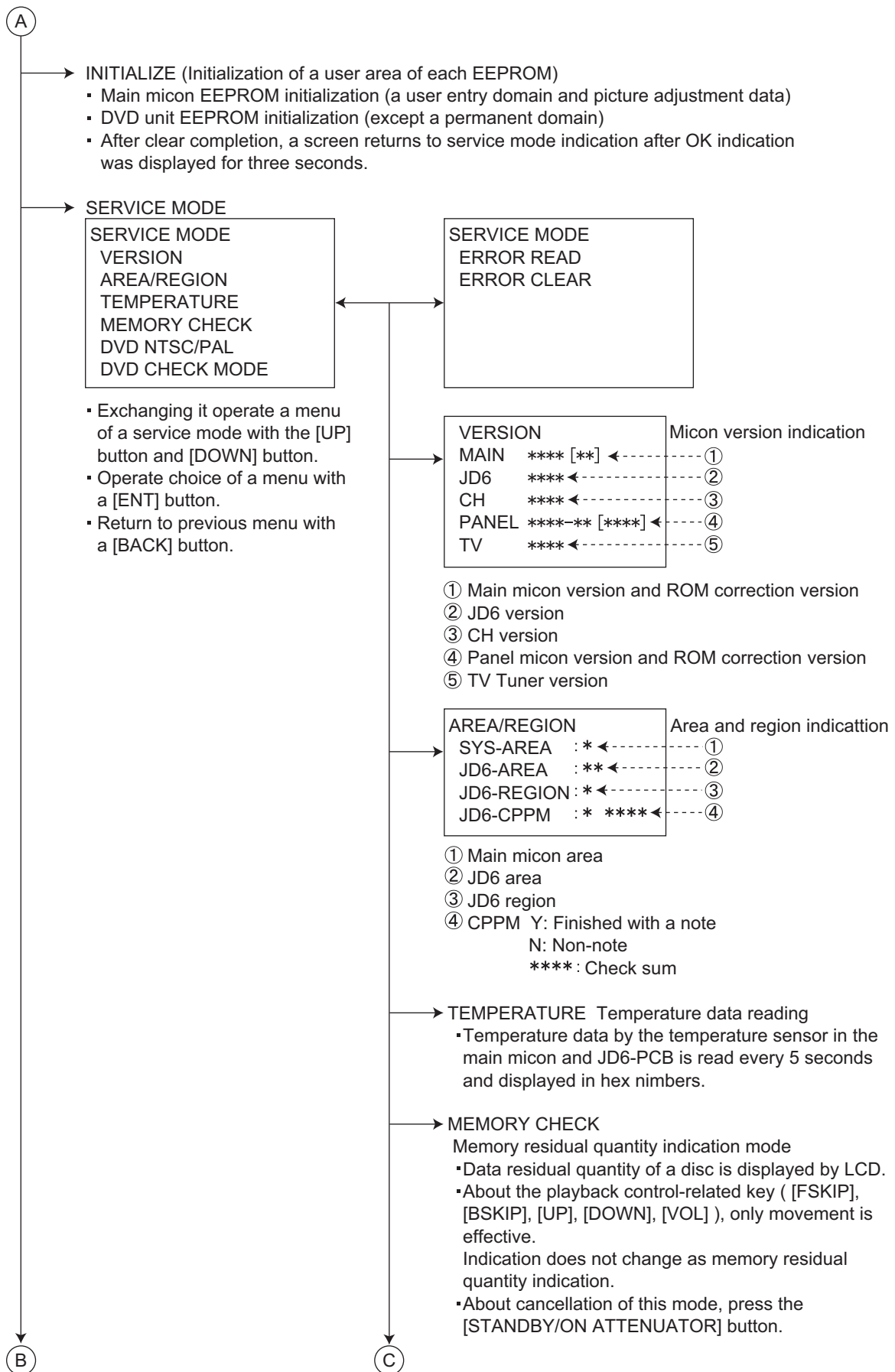
SERVICE MODE 3
INITIALIZE ALL
INITIALIZE
SERVICE MODE
RUNNING MODE

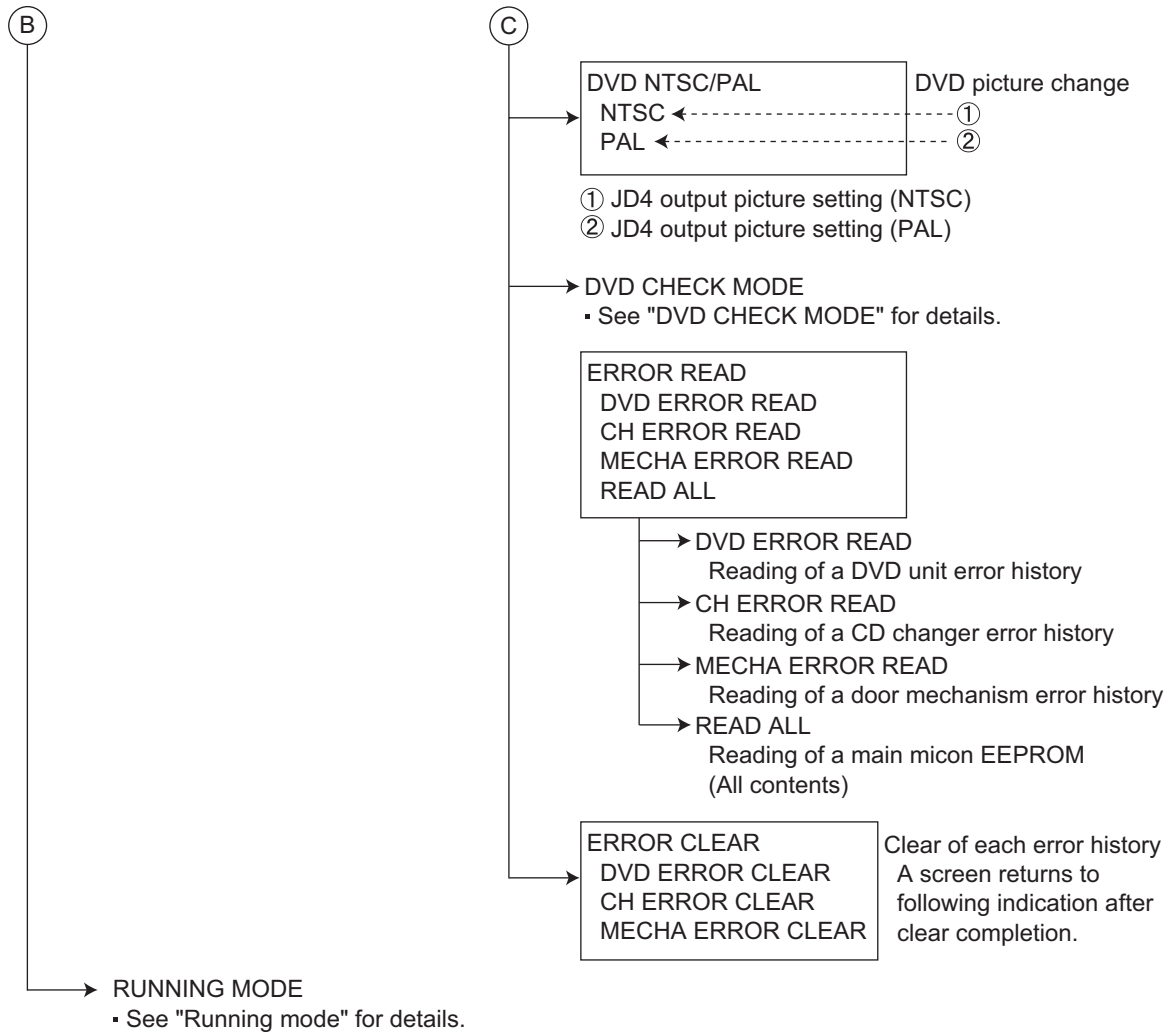
Exchanging it operate a menu of a service mode with the [UP] button and [DOWN] button. Operate choice of a menu with a [ENT] button.

INITIALIZE ALL (Each EEPROM is initialized by a factory shipment state.)

- Main micon EEPROM initialization (except a ROM correction domain)
- Panel micon EEPROM initialization (except factory adjustment data domain and ROM correction domain)
- DVD unit EEPROM initialization (except a permanent domain)
- After clear completion, a screen returns to normal indication after OK indication was displayed for three seconds.

(A)





#### 4.6.4 Service mode 4

Keep this state more 2 seconds while continuing pressing the [BACK] button, [MENU] button and [SRC] button sequentially.

Screen indication ↓

SERVICE MODE 4  
 RDS S MODE  
 MONITOR S MODE  
 FLASH ROM WRITE MODE

Exchanging it operate s menu of a service mode with the [UP] button and [DOWN] button. Operate choice of a menu with a [ENT] button.

RDS S MODE  
 •RDS service mode (Only RDS model)

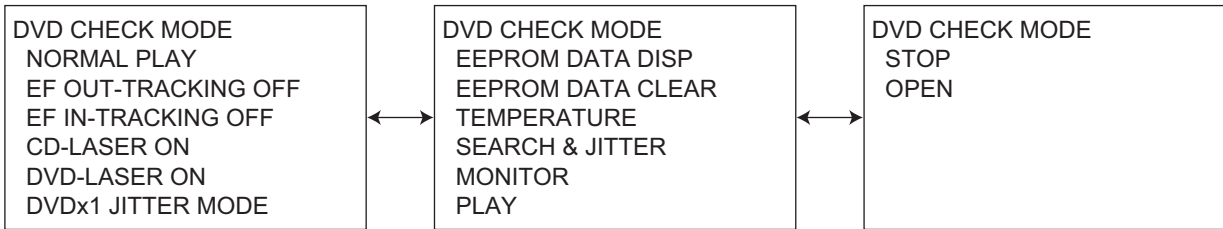
MONITOR S MODE  
 R/W CHROMA 1  
 R/W CHROMA 2  
 R/W CHROMA 3  
 DATA CLEAR

\*See "Monitor adjustment" for details.  
 CHROMA DATA read/write of NTSC/PAL signal processing IC  
 CHROMA DATA read/write of TFT driver IC

Clear of CHROMA DATA of 1,2 (return to an initial value)

FLASH ROM WRITE MODE (Cannot use)

#### 4.7 DVD check mode



Exchanging it operate a menu of a service mode with the [UP] button and [DOWN] button. Operate choice of a menu with a [ENT] button.

Command	Mechanism unit operation	Indication contents
NORMAL PLAY	Start at normal speed (After start, jitter is measured by an inner position.)	Laser current value, jitter value
EF OUT-TRACKING OFF	Tracking off the outermost position of CD	For EF phase error
EF IN-TRACKING OFF	Tracking off the innermost position of CD	For EF phase error
CD-LASER ON	CD_LD lights and laser current is displayed.	Laser current value, jitter value
DVD-LASER ON	DVD_LD lights and laser current is displayed	Laser current value, jitter value
DVDx1 JITTER MODE	DVD x1 jitter measuring mode (for use in mechanism adjustment)	Laser current value, jitter value
EEPROM DATA DISP	Contents of EEPROM is displayed.	EEPROM address EEPROM contents
EEPROM DATA CLEAR	Contents of EEPROM is initialized.	EEPROM address EEPROM contents
TEMPERATURE	Temperature indication	Temperature is displayed in hex numbers.
SEARCH & JITTER	The search and jitter measurement to an appointed position of DVD.	Position measured with VT-501 jitter value
MONITOR	Monitor terminal setting	
PLAY	DVD x1 stopped start (After start, jitter is measured by an inner position.)	Not displayed.
STOP	Disc stopped, LD-OFF	Not displayed.
OPEN	OPEN	Not displayed.

## 4.8 Error code tables

### 4.8.1 Mechanism error code

Error contents	Details	Error code	Detailed error code
Disc loading error			
①B1 time out		0x09	0x0011
②C1 time out		0x09	0x0012
③D1 time out		0x09	0x0013
④C2 time out		0x09	0x0014
⑤B2 time out		0x09	0x0015
⑥A2 time out		0x09	0x0016
⑦F1 time out		0x09	0x0017
⑧A0 (Switch state without existence)		0x09	0x0018
⑨G1 time out		0x09	0x0019
⑩G2 time out		0x09	0x0020
Eject error			
①F2 time out		0x01	0x0021
②A1 time out		0x01	0x0022
③B1 time out		0x01	0x0023
④C1 time out		0x01	0x0024
⑤D1 time out		0x01	0x0025
⑥C2 time out		0x01	0x0026
⑦B2 time out		0x01	0x0027
⑧A0 (Switch state without existence)		0x01	0x0028
Error in loading wait	Loading of a running mode Disc was pulled out in a wait.	0x09	0x0031
Loading re-execution → NG → Eject	Running mode error	0x09	0x0032
Eject re-execution → NG → Loading	Running mode error	0x01	0x0033

### 4.8.2 Disc error code

Error contents	Details	Error code	Detailed error code
TOC read error	TOC lead movement of a CD is not completed.	0x84	0x0059
First track access error	Even if TOC reading passes after the end with CD running mode for 30 seconds, the first track access is not finished.	0x80	0x0060
Last track access error	Even if first track passes after the end with CD running mode for 30 seconds, the last track access is not finished.	0x80	0x0061
T1 access error	Even if T1 access passes in a DVD running mode for 30 seconds, it is not finished.	0x80	0x0069
T12 access error	Even if T12 access passes in a DVD running mode for 30 seconds, it is not finished.	0x80	0x0070
T24 access error	Even if T24 access passes in a DVD running mode for 30 seconds, it is not finished.	0x80	0x0071
Read-in area read error	Read-in area read operation of DVD is not completed.	0x84	0x0072
DVD L1 layer adjustment error	Adjustment of L1 layer of DVD is not finished normally. (including focus jump failure)	0x80	0x0074
NO DISC judgment	Judgment without disc	0x80	0x0090
It is NO DISC by start failure	Start is impossible	0x80	0x0091
It is stopped by playback inability.	Stop in running mode playback	0x80	0x0093
Logic format NG	Logic format analysis inability or non-correspondence logic format	0x80	0x0094



## 4.9 Running mode

Indication	Explanation	Operation contents of 1 cycle	In mecha error	In disc error
RUNNING1 MECHA	Door mecha running 1	Panel close → Panel open	-	-
RUNNING2 MECHA	Door mecha running 2	Panel close → Panel angle 2 → Panel angle 3 → Panel angle 4 → Panel angle 5 → Panel angle 6 → Panel angle 7 → Panel open	-	-
RUNNING3 DVD	DVD+Door mecha running1	Loading→ Eject → Wait for 5 seconds+Door open/close	Stop	-
RUNNING4 DVD	DVD+Door mecha running2	Loading→ Eject → Wait for 5 seconds+Door open/close	Retry	-
RUNNING5 DVD	DVD+Door mecha running3	Loading → Playback → Eject → Wait for 5 seconds+Door open/close	Stop	Stop
RUNNING6 DVD	DVD+Door mecha running4	Loading → Playback → Eject → Wait for 5 seconds+Door open/close	Retry	Stop
RUNNING7 DVD	DVD+Door mecha running5	Loading → Playback → Eject → Wait for 5 seconds+Door open/close	Stop	Retry
RUNNING8 DVD	DVD+Door mecha running6	Loading → Playback → Eject → Wait for 5 seconds+Door open/close	Retry	Retry

\* Cancellation of running1,2 : Press the [EJECT] key

\* In running 1,2 cancellation, a door does not stop at the position and moves to a panel position.

\* Cancellation of running3 to 8 : Press the [POWER] key

\* The number of count and an error cord are displayed in running.

Playback contents in a running mode

• CD

The first track is played for 30 seconds. → The last track is played for 30 seconds.

(The last track is played in the case of less than till the last for 30 seconds.)

• DVD

2layer disc (Pit disc)

Title 1 (the L0 layer internal circumference) is played for 30 seconds.

→ Title 12 (L0 layer circumference) is played for 30 seconds.

→ Title 24 (L1layer internal circumference) is played for 30 seconds.

2layer disc (Recordable disc)

Title 1 (the L0 layer internal circumference) is played for 30 seconds.

→ Title 13 (L0 layer circumference) is played for 30 seconds.

→ Title 24 (L1layer internal circumference) is played for 30 seconds.

1layer disc

First chapter of title 1 is played for 30 seconds. → The last chapter of title 1 is played for 30 seconds.

#### 4.10 Monitor adjustment

\* When adjusting, switch on the main unit and insert a test disc (VT-501). And play the test disc and pause it.  
(Exit for VCO FREE-RUN and DC OUTPUT adjustment)

- (1) Set the service mode 4.
- (2) Exchanging it operate a menu of a service mode with the [UP] button and [DOWN] button.
- (3) Change data with the [B.SKIP]/[F.SKIP] button.
- (4) Write data with a [ENT] button.

##### R/W CHROMA1

Indication	Minimum value	Maximum value	Initial value	Reference register value	
PICTURE	00	1F	10	07	Fix
COLOR NTSC	00	FF	80	6A	Adjust
COLOR PAL	00	FF	80	6C	Adjust
TINT NTSC	00	FF	80	A8	Adjust
TINT PAL	00	FF	80	A0	Fix
PHASE NTSC	00	3F	20	20	Fix
PHASE PAL	00	3F	20	11	Adjust
CONT-VIDEO	00	FF	80	60	Adjust
CONT-RGB1	00	FF	80	80	Fix
CONT-RGB2	00	FF	80	80	Fix
GAMMA1	00	FF	80	80	Fix
GAMMA2	00	FF	80	80	Fix
RGB AMPLITUDE	00	FF	FF	54	Adjust
BRIGHT	00	FF	80	80	Fix
SUB-BRIGHT R	00	FF	80	80	Fix
SUB-BRIGHT B	00	FF	80	80	Fix
COM AMPLITUDE	00	FF	80	80	Fix
COM DC	00	FF	80	80	Fix
DAC OUT NTSC	00	FF	80	80	Fix
DAC OUT PAL	00	FF	80	80	Fix

##### R/W CHROMA2

Indication	Minimum value	Maximum value	Initial value	Reference register value	
COM AMPLITUDE	00	FF	80	BD	Adjust
BRIGHT GAIN	00	FF	80	80	Fix
COLOR GAIN	00	FF	5F	5F	Fix
TINT	00	FF	58	58	Fix
BLACK LIMITER	00	7F	5E	7F	Fix
BRIGHT GDC	00	FF	97	6A	Adjust
BRIGHT	00	FF	97	6A	Adjust
APERTURE	00	7F	40	40	Fix
R SUB BRIGHT	00	FF	86	76	Adjust
B SUB BRIGHT	00	FF	87	80	Adjust
W PEAK LIMITER	00	7F	7F	7F	Fix
GAMMA1	00	FF	80	81	Fix
GAMMA2	00	FF	FF	C5	Fix
CONTRAST	00	FF	61	9A	Adjust
R SUB CONTRAST	00	FF	6E	79	Adjust
B SUB CONTRAST	00	FF	74	77	Adjust
VCO FREE RUN NTSC	00	FF	97	91	Adjust 15.734 kHz
VCO FREE RUN PAL	00	FF	96	8D	Adjust 15.625 kHz
PLL STOP POS	00	0F	08	08	Fix
V POSITION	00	07	02	04	Fix
H POSITION	00	1F	1F	10	Fix
RWM FREQUENCY	00	0F	08	08	Fix
BRST CLN PLS POS	00	07	03	03	Fix
PWM DUTY	00	FF	FF	FF	Fix
COM DC	00	FF	80	5F	Adjust
DC OUTPUT NTSC	00	FF	80	56	Adjust 15.734 kHz
DC OUTPUT PAL	00	FF	80	61	Adjust 15.625 kHz
MN5814 V POSITION	00	07	00	04	Fix
MN5814 H POSITION	00	0F	00	09	Adjust

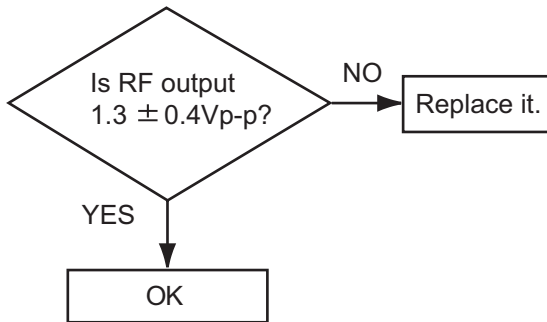
##### R/W CHROMA3

AGC SW	00	Fix
GAM TEST	00	Fix
NTSC/PAL	AUTO	DVD picture change (NTSC or PAL, and or AUTO)

## SECTION 5 TROUBLESHOOTING

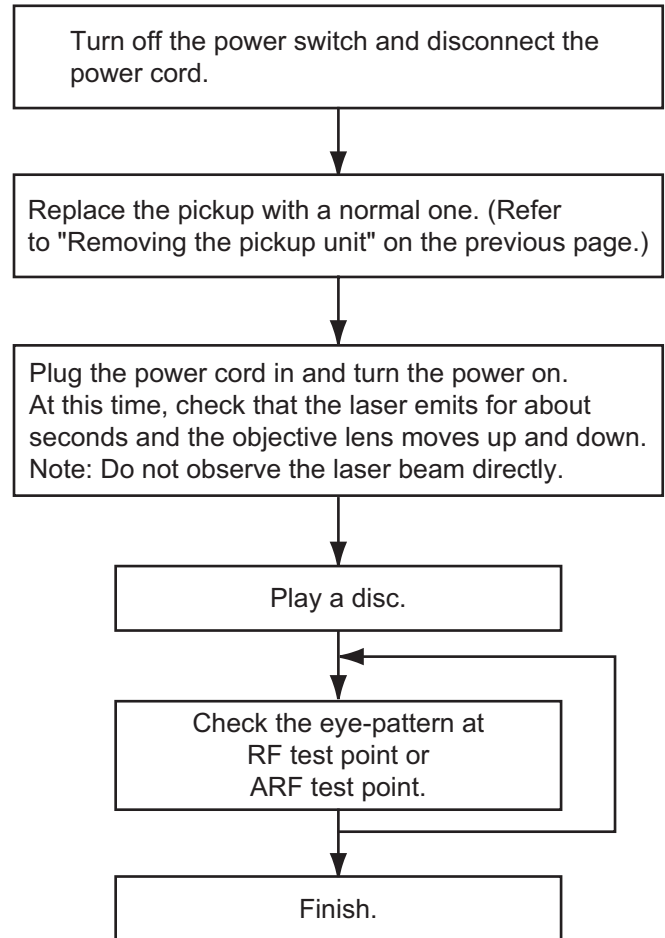
### 5.1 Maintenance of laser pickup

- (1) Cleaning the pick up lens  
Before you replace the pick up, please try to clean the lens with a alcohol soaked cotton swab.
- (2) Life of the laser diode  
When the life of the laser diode has expired, the following symptoms will appear.
  - The level of RF output (EFM output: amplitude of eye pattern) will be low.

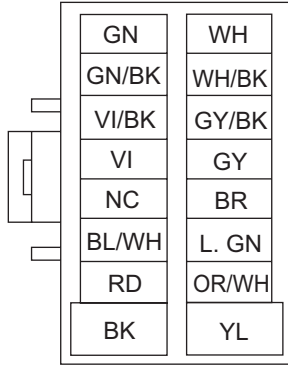


- (3) Semi-fixed resistor on the APC PC board  
The semi-fixed resistor on the APC printed circuit board which is attached to the pickup is used to adjust the laser power. Since this adjustment should be performed to match the characteristics of the whole optical block, do not touch the semi-fixed resistor.  
If the laser power is lower than the specified value, the laser diode is almost worn out, and the laser pickup should be replaced. If the semi-fixed resistor is adjusted while the pickup is functioning normally, the laser pickup may be damaged due to excessive current.

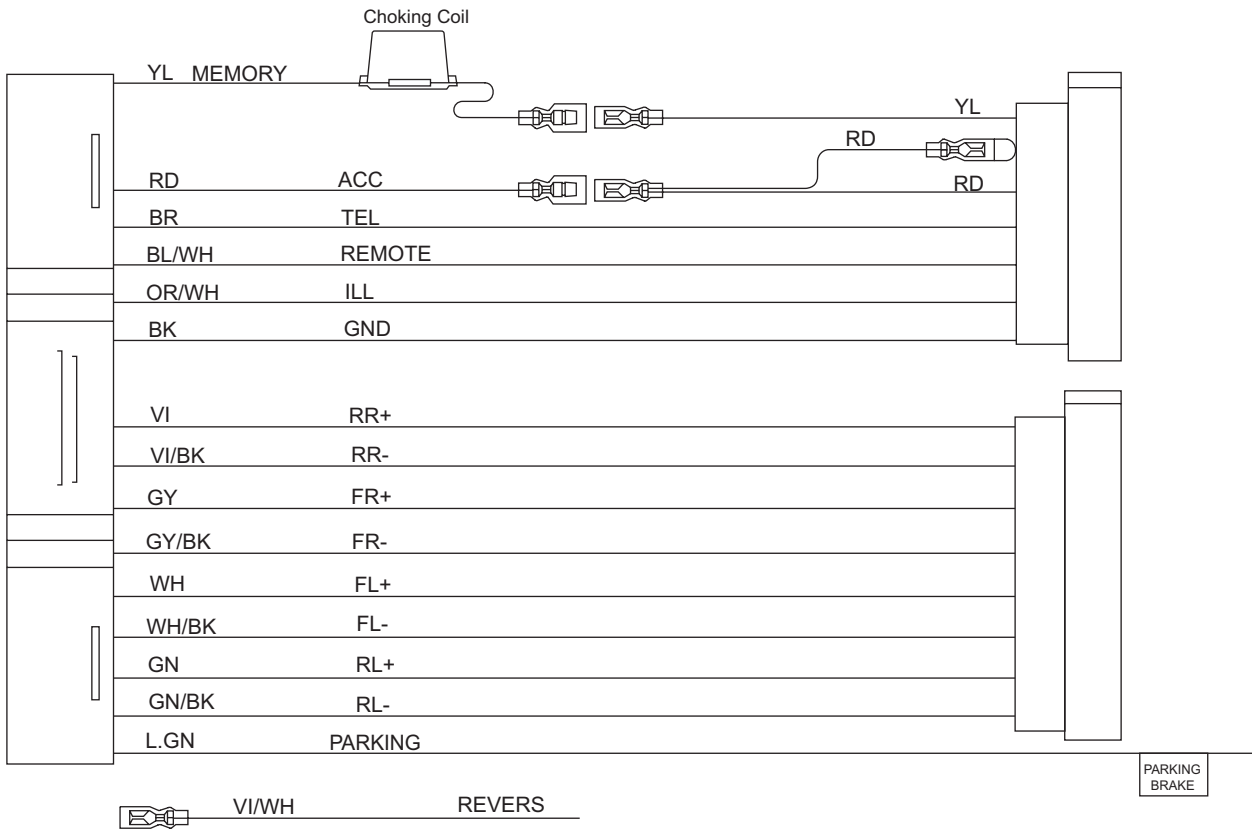
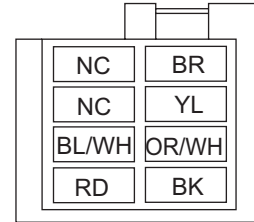
### 5.2 Replacement of laser pickup



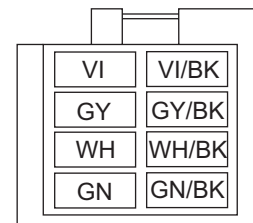
**5.3 16PIN CORD DIAGRAM**  
 (for KW-AVX700E, KW-AVX706E, KW-AVX706EE, KW-AVX706EU)



BK	Black	GN	Green
RD	Red	VI	Violet
BL	Blue	GY	Gray
WH	White	YL	Yellow
BR	Brown	OR	Orange
L.GN	Light Green		

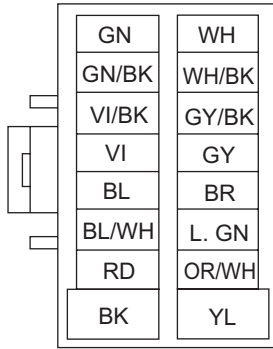


RR	Rear Right	ACC	ACC Line
FR	Front Right	TEL	Telephone Muting
FL	Front Left	GND	Ground
RL	Rear Left	MEMORY	Memory Backup Battery+
REMOTE	Remote	PARKING	Parking Brake
ILL	Illuminations Control	ANT	Auto Antenna
REVERS	Revers Gear Signal		

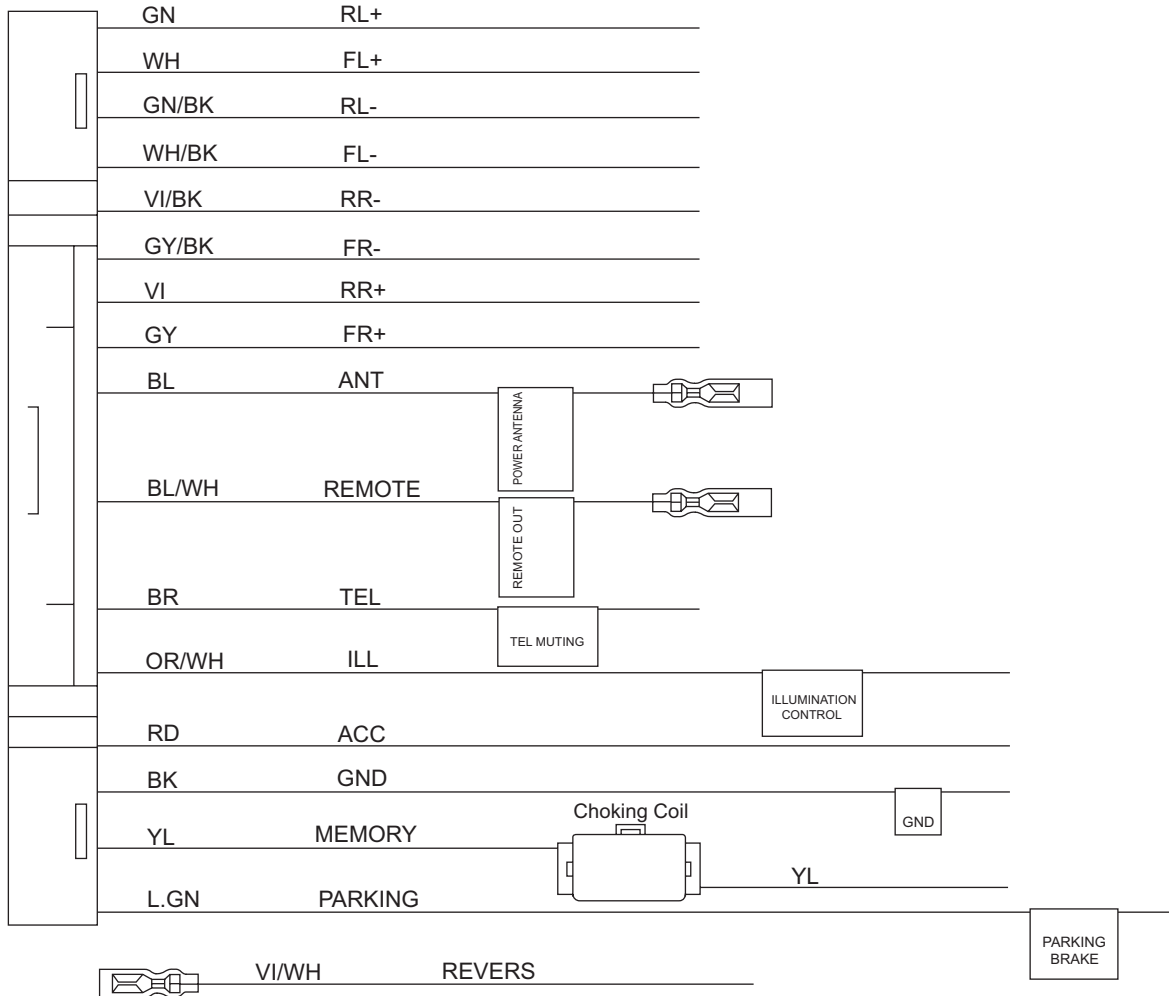


### 5.4 16PIN CORD DIAGRAM

(for KW-AVX700U, KW-AVX700UN, KW-AVX700A, KW-AVX701UN, KW-AVX706J, KW-AVX706U, KW-AVX706UN)



BK	Black	GN	Green
RD	Red	VI	Violet
BL	Blue	GY	Gray
WH	White	YL	Yellow
BR	Brown	OR	Orange
L.GN	Light Green		



RR	Rear Right	ACC	ACC Line
FR	Front Right	TEL	Telephone Muting
FL	Front Left	GND	Ground
RL	Rear Left	MEMORY	Memory Backup Battery+
REMOTE	Remote	PARKING	Parking Brake
ILL	Illuminations Control	ANT	Auto Antenna
REVERS	Revers Gear Signal		



**JVC**

Victor Company of Japan, Limited  
Mobile Entertainment Business Group Mobile Entertainment Category 10-1,1chome,Ohwatari-machi,Maebashi-city,Gumma-ken, 371-8543,Japan

(No.MA261)

# PARTS LIST

KW-AVX700E, KW-AVX700U, KW-AVX700UN,  
KW-AVX700A, KW-AVX701UN,  
KW-AVX706J, KW-AVX706U, KW-AVX706UN,  
KW-AVX706E, KW-AVX706EU, KW-AVX706EE

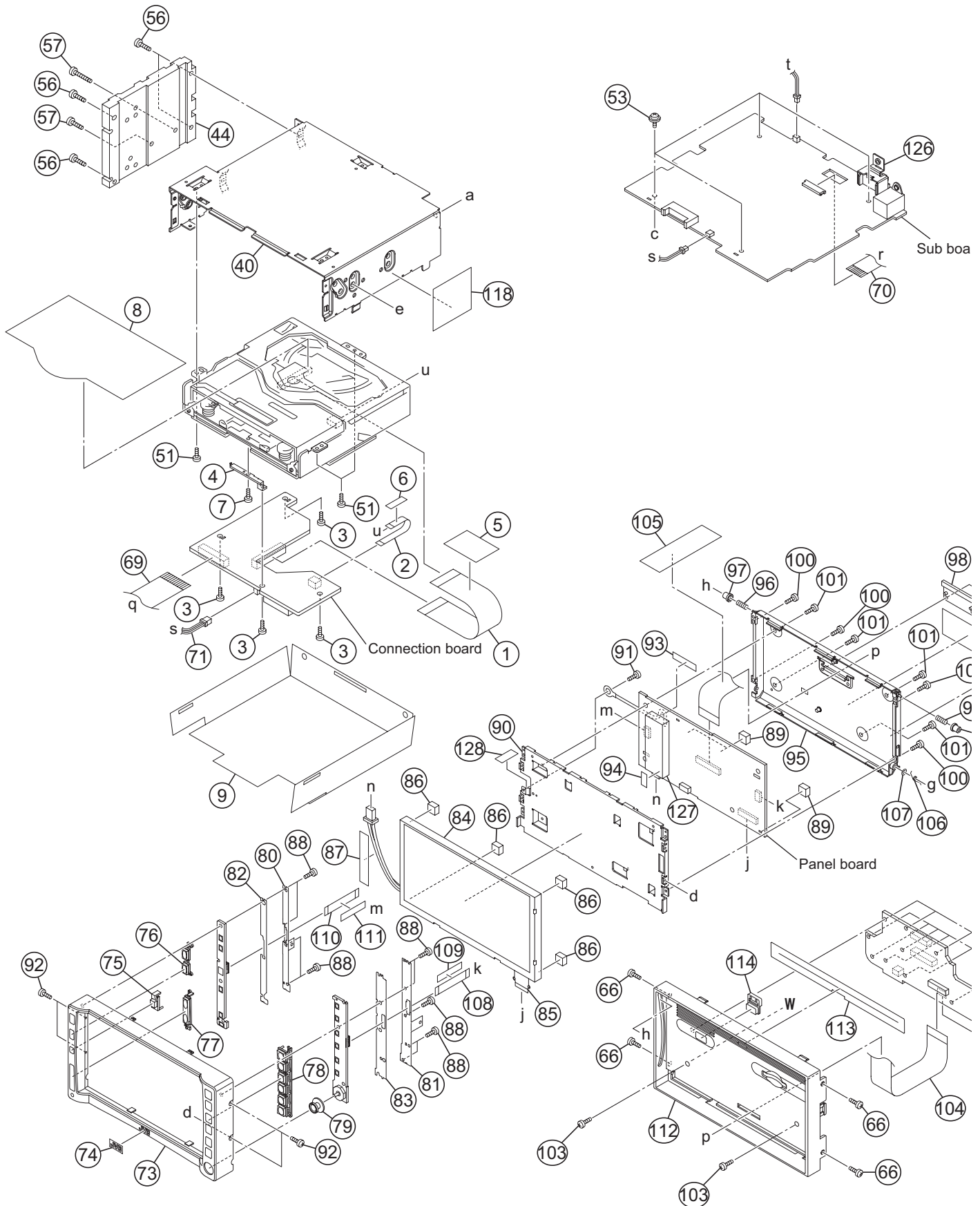
\* All printed circuit boards and its assemblies are not available as service parts.

## - Contents -

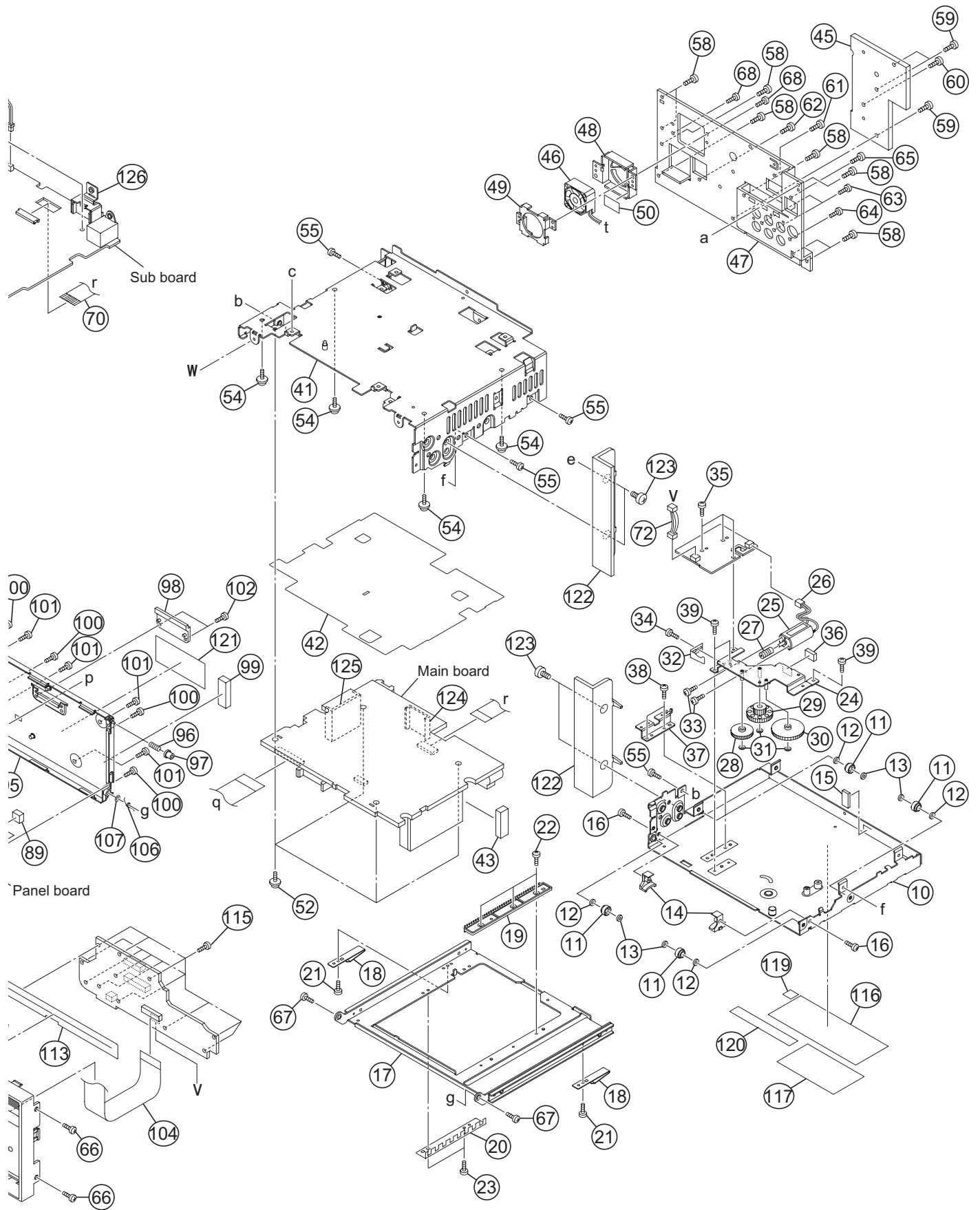
Exploded view of general assembly and parts list (Block No.M1) .....	3- 2
DVD mechanism assembly and parts list (Block No.MJ) .....	3- 7
Electrical parts list (Block No.01~09) .....	3-10
Packing materials and accessories parts list (Block No.M3) .....	3-40

# Exploded view of general assembly and parts list

Block No. M 1 M M







# General Assembly

Block No. [M][1][M][M]

△	Symbol No.	Part No.	Part Name	Description	Local
	1	QUQL05-6007BC-E	FFC WIRE	60pin 7cm	
	2	QUQL05-1006BC-E	FFC WIRE	10pin 6cm	
	3	LV41200-004A	SPECIAL SCREW	(x4)	
	4	LV36877-001A	MECHA BKT		
	5	LV44494-001A	PROTECT SHEET		
	6	LV44494-002A	PROTECT SHEET		
	7	QYSDST2004ZA	TAP SCREW	M2 x 4mm	
	8	LV34460-001A	INSULATOR		
	9	LV36998-002A	INSULATOR(DVD)		
	10	LV22239-002A	B.CHASSIS ASSY		
	11	LV44666-002A	ROLLER(SLD)	(x4)	
	12	QYWFM315013	WASHER	5mm/3.1mm x 0.13mm(x4)	
	13	QYWDL164035	SLIT WASHER	4mm/1.6mm x 0.35mm(x4)	
	14	LV36940-001A	RAIL GUIDE	(x2)	
	15	LV40846-053A	SPACER(F)		
	16	QYSPSFT1745ZA	TAP SCREW	M1.7 x 4.5mm(x2)	
	17	LV36514-004A	D.PLATE ASSY		
	18	LV44453-003A	FRICTION SPRING	(x2)	
	19	LV36516-001A	RACK GEAR		
	20	LV36517-002A	PHOTO PLATE		
	21	LV44159-001A	MINI SCREW	(x2)	
	22	LV44159-001A	MINI SCREW	(x3)	
	23	LV44159-001A	MINI SCREW	(x2)	
	24	LV36509-002A	D.CHASSIS ASSY		
	25	QAR0378-001	MOTOR		
	26	WJM0460-001A-E	E-SI C WIRE C-F		
	27	LV44451-001A	WORM GEAR		
	28	LV36511-001A	SECOND GEAR		
	29	LV36512-001A	THIRD GEAR		
	30	LV36513-001A	FORTH GEAR		
	31	QYWDM215025	SLIT WASHER	5mm/2.1mm x 0.25mm(x3)	
	32	LV44452-001A	SPRING(WORM)		
	33	QYSPSPT2020ZA	SCREW	M2 x 2mm(x2)	
	34	LV44159-004A	MINI SCREW		
	35	QYSDST2004ZA	TAP SCREW	M2 x 4mm(x3)	
	36	LV44679-001A	SPACER (F)		
	37	LV36545-001A	PCB BKT		
	38	LV44159-004A	MINI SCREW	(x2)	
	39	LV44159-004A	MINI SCREW	(x3)	
	40	LV11207-002A	TOP CHASSIS		
	41	LV11206-003A	MID CHASSIS		
	42	LV36563-001A	INSULATOR(BOTT)		
	43	LV44247-003A	SHIELD TIGHT		
	44	LV36548-003A	HEAT SINK		
	45	LV36549-003A	REAR HEAT SINK		
	46	QAR0353-001	FAN		
	47	LV22233-003A	REAR BRACKET		
	48	LV36999-001A	FAN BKT(IN)		
	49	LV37000-001A	FAN BKT(OUT)		
	50	LV40847-038A	SPACER(H)		
	51	QYSDST2604ZA	TAP SCREW	M2.6 x 4mm(x3)	
	52	LV41200-004A	SPECIAL SCREW	(x4)	
	53	LV41200-004A	SPECIAL SCREW	(x4)	
	54	QYSDST2604ZA	TAP SCREW	M2.6 x 4mm(x4)	
	55	LV41200-004A	SPECIAL SCREW	(x4)	
	56	LV41200-005A	SCREW	(x4)	
	57	QYSDST2616ZA	TAP SCREW	M2.6 x 16mm(x2)	
	58	LV41200-004A	SPECIAL SCREW	(x8)	
	59	GE40235-001A	SCREW	(x3)	
	60	LV41200-005A	SCREW		
	61	LV41200-004A	SPECIAL SCREW		
	62	LV41200-004A	SPECIAL SCREW		
	63	QYSDSF2606ZA	TAP SCREW	M2.6 x 6mm(x2)	
	64	LV41200-004A	SPECIAL SCREW		
	65	QYSDST3006ZA	TAP SCREW	M3 x 6mm	
	66	LV44159-001A	MINI SCREW	(x4)	
	67	LV44470-002A	SPECIAL SCREW	(x2)	
	68	LV41200-004A	SPECIAL SCREW	(x2)	
	69	QUQL05-4506BC-E	FFC WIRE	45pin 6cm	
	70	QUQL05-2405BC-E	FFC WIRE	24pin 5cm	
	71	QJJ060-030603-E	SIN CR C-C W		
	72	QJJ060-060801-E	SIN CR C-C W		
	73	LV36531-002A	FRONT PANEL ASSY		AVX700E
	73	LV36531-001A	FRONT PANEL ASSY		AVX700U,AVX700UN,AVX700A

△ Symbol No.	Part No.	Part Name	Description	Local
73	LV36531-007A	FRONT PANEL ASSY		AVX701UN
73	LV36531-003A	FRONT PANEL ASSY		AVX706J,AVX706U,AVX706UN
73	LV36531-004A	FRONT PANEL ASSY		AVX706E,AVX706EU,AVX706EE
74	LV44462-001A	JVC BADGE		
75	LV36532-002A	REMOTE LENS		
76	LV36534-001A	BUTTON L1		AVX700E,AVX700U,AVX700UN,AVX700A
76	LV36534-004A	BUTTON L1		AVX701UN
76	LV36534-002A	BUTTON L1		AVX706J,AVX706U,AVX706UN,AVX706E,AVX706EU,AVX706EE
77	LV36535-003A	BUTTON L2		AVX700E,AVX700U,AVX700UN,AVX700A
77	LV36535-006A	BUTTON L2		AVX701UN
77	LV36535-004A	BUTTON L2		AVX706J,AVX706U,AVX706UN,AVX706E,AVX706EU,AVX706EE
78	LV22232-002A	BUTTON R		AVX700E
78	LV22232-001A	BUTTON R		AVX700U,AVX700UN,AVX700A
78	LV22232-007A	BUTTON R		AVX701UN
78	LV22232-003A	BUTTON R		AVX706J,AVX706U,AVX706UN
78	LV22232-004A	BUTTON R		AVX706E,AVX706EU,AVX706EE
79	LV36536-001A	4WAY KNOB		
80	LV36537-001A	EARTH BKT(L)		
81	LV36538-001A	ERATH BKT(R)		
82	LV36539-001A	PCB SHEET(L)		
83	LV36540-002A	PCB SHEET(R)		
84	QLD0361-001	LCD MODULE	LCD1	
85	LV40847-036A	SPACER(H)		
86	LV40846-052A	SPACER(F)	(x4)	
87	LV40847-039A	SPACER(H)		
88	LV44464-001A	SPECIAL SCREW	(x9)	
89	LV40846-054A	SPACER(F)	(x3)	
90	LV11203-002A	PANEL BKT		
91	QYSSPU1725ZA	SCREW	M1.7 x 2.5mm	
92	LV43819-004A	SPECIAL SCREW	(x4)	AVX700E,AVX700U,AVX700UN,AVX700A,AVX701UN
92	LV43819-003A	SPECIAL SCREW	(x4)	AVX706J,AVX706U,AVX706UN,AVX706E,AVX706EU,AVX706EE
93	LV40847-029A	SPACER		
94	LV44247-004A	SHIELD TIGHT		
95	LV36543-002A	FRONT BKT ASSY		
96	LV44468-001A	SPRING	(x2)	
97	LV44469-001A	ROLLER	(x2)	
98	LV36553-001A	FPC COVER		
99	LV44667-001A	PROTECT SHEET		
100	LV44159-001A	MINI SCREW	(x4)	
101	LV41200-004A	SPECIAL SCREW	(x4)	
102	LV44159-001A	MINI SCREW	(x2)	
103	QYSSPU2070NA	SCREW	M2 x 7mm(x2)	AVX700E,AVX700U,AVX700UN,AVX700A,AVX701UN
103	QYSSPU2070MA	SCREW	M2 x 7mm(x2)	AVX706J,AVX706U,AVX706UN,AVX706E,AVX706EU,AVX706EE
104	QAL0838-001	FPC		
105	LV40847-037A	SPACER(H)		
106	LV44471-002A	TORSION SPRING		
107	QYWF628050	WASHER	8mm/6.2mm x 0.5mm	
108	QUQL05-0803AC-E	FFC WIRE	8pin 3cm	
109	LV40847-035A	SPACER(H)		
110	QUQL05-0803AC-E	FFC WIRE	8pin 3cm	
111	LV40847-035A	SPACER(H)		
112	LV36550-010A	F CHASSIS ASSY		AVX700E
112	LV36550-011A	F CHASSIS ASSY		AVX700U,AVX700UN,AVX700A
112	LV36550-008A	F CHASSIS ASSY		AVX701UN
112	LV36550-014A	F CHASSIS ASSY		AVX706J
112	LV36550-013A	F CHASSIS ASSY		AVX706U,AVX706UN
112	LV36550-012A	F.CHASSIS ASSY		AVX706E,AVX706EU,AVX706EE
113	GE40156-001A	BLIND		
114	LV36552-001A	EJECT BUTTON		AVX700E,AVX700U,AVX700UN,AVX700A
114	LV36552-004A	EJECT BUTTON		AVX701UN
114	LV36552-002A	EJECT BUTTON		AVX706J,AVX706U,AVX706UN,AVX706E,AVX706EU,AVX706EE
115	VKZ4777-011	MINI SCREW	(x11)	
116	LV36693-002A	NAME PLATE		AVX700E
116	LV36695-001A	NAME PLATE		AVX700U,AVX700UN,AVX700A
116	LV37057-001A	NAME PLATE		AVX701UN
116	LV36973-001A	NAME PLATE		AVX706J
116	LV36696-002A	NAME PLATE		AVX706U,AVX706UN
116	LV36694-002A	NAME PLATE		AVX706E,AVX706EU,AVX706EE
117	LV36920-002A	DVD LABEL		AVX700E,AVX706E,AVX706EU
117	LV36920-003A	LABEL(DVD)		AVX700U,AVX700UN,AVX701UN,AVX706U,AVX706UN
117	LV36920-004A	LABEL(DVD)		AVX700A
117	LV36920-001A	DVD LABEL		AVX706J
117	LV36920-005A	DVD LABEL		AVX706EE
118	LV42940-002A	CAUTION LABEL		AVX700E,AVX706J,AVX706E,AVX706EU,AVX706EE
118	LV41843-002A	LASER CAUTION		AVX700U,AVX700UN,AVX701UN,AVX706U,AVX706UN
119	LV44385-001A	RECYCLE LABEL		AVX700E,AVX706E,AVX706EU
120	LV41843-002A	LASER CAUTION		AVX700E,AVX700A,AVX706E,AVX706EU,AVX706EE
121	LV44536-001A	CAUTION LABEL		

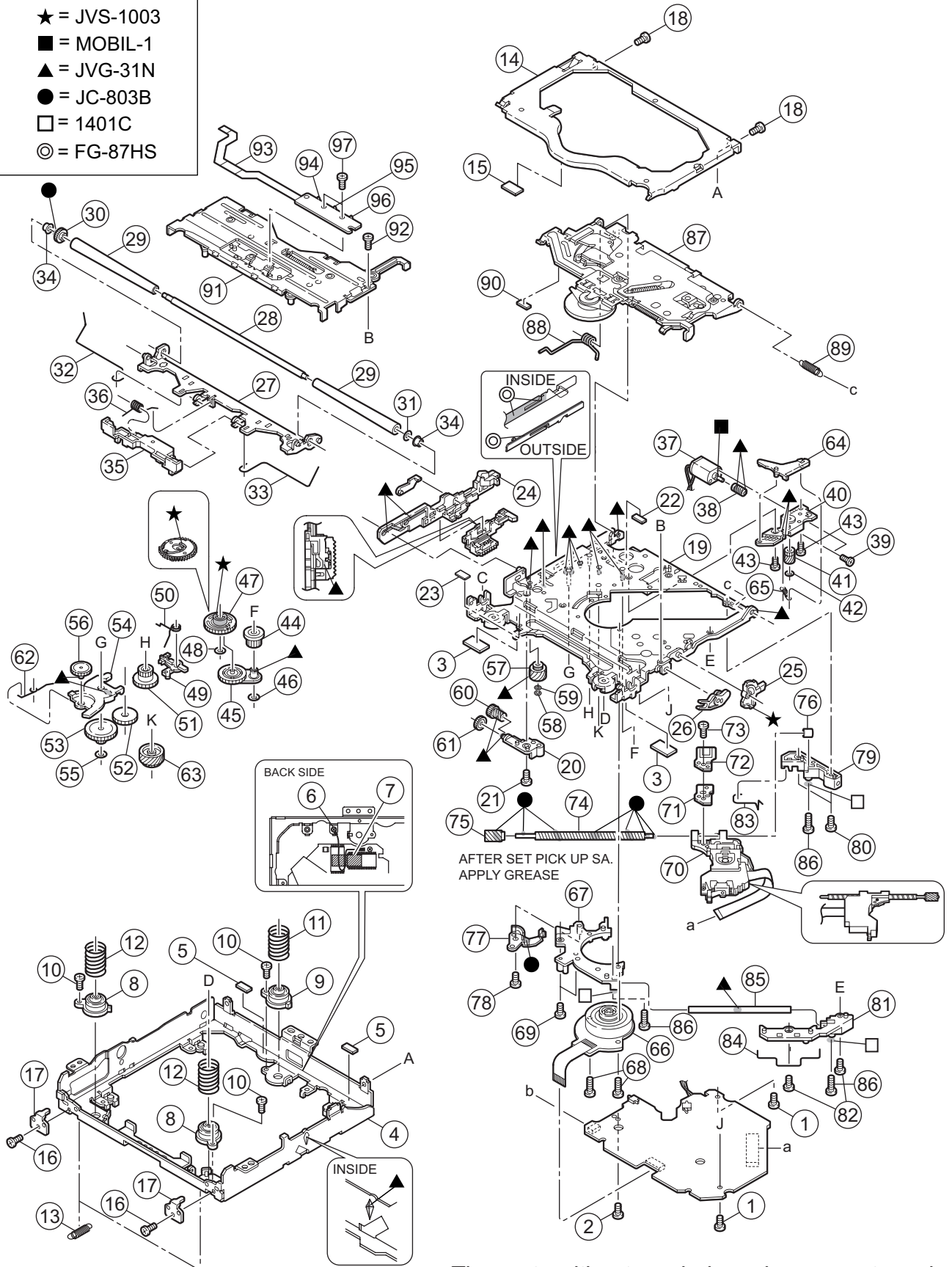
Symbol No.	Part No.	Part Name	Description	Local
122	LV36544-001A	TRANSPORT BKT	(x2)	
123	QYSDSP5006ZA	SCREW	M5 x 6mm(x4)	
124	LV43373-002A	REGULATOR BKT		
125	LV43967-001A	IC BRACKET		
126	LV36554-002A	CONNECTOR BKT		
127	LV36542-002A	SHIELD COVER		
128	LV40847-040A	SPACER(H)		

# DVD mechanism assembly and parts list

FMU-JD6-21D

Block No. M J M M

- Grease**
- ★ = JVS-1003
  - = MOBIL-1
  - ▲ = JVG-31N
  - = JC-803B
  - = 1401C
  - ◎ = FG-87HS



The parts without symbol number are not service.

# DVD mechanism

Block No. [M][J][M][M]

△	Symbol No.	Part No.	Part Name	Description	Local
	1	VKZ4539-056	MINI SCREW	(x2)	
	2	QYSPSFT2040ZA	TAP SCREW	M2 x 4mm	
	3	LV43481-001A	COOLING RUBBER	(x2)	
	4	LV10674-001A	CHASSIS FRAME		
	5	LV30225-0J6A	SPACER	(x2)	
	6	VKZ4539-056	MINI SCREW		
	7	VYSA1R4-056	SPACER		
	8	LV35272-001A	DAMPER(F)	(x2)	
	9	LV35273-001A	DAMPER(R)		
	10	QYSDST2005ZA	TAP SCREW	M2 x 5mm(x3)	
	11	LV43039-001A	DAMPER SP.(R)		
	12	LV43849-001A	DAMPER SP(F2)	(x2)	
	13	LV43041-001A	FLOATING SPRING	(x2)	
	14	LV10675-001A	TOP COVER		
	15	LV30225-0J5A	SPACER		
	16	VKZ4539-056	MINI SCREW	(x2)	
	17	LV33669-001A	STOPPER	(x2)	
	18	VKZ4539-056	MINI SCREW	(x2)	
	19	LV21297-004A	CHAS. BASE ASSY		
	20	LV33608-002A	GEAR HOLDER		
	21	VKZ4539-056	MINI SCREW		
	22	LV43561-002A	ABSORBER		
	23	LV30225-0J5A	SPACER		
	24	LV36831-001A	SLIDE CAM ASSY2		
	25	LV33610-002A	FLOATING ARM		
	26	LV33611-001A	CONNECT ARM		
	27	LV33678-003A	LOADING A. ASSY		
	28	LV43049-001A	LOADING SHAFT		
	29	LV43052-003A	ROLLER	(x2)	
	30	LV33612-001A	LOADING GEAR		
	31	QYWFM124013	WASHER	4mm/1.2mm x 0.13mm	
	32	LV43053-002A	ROD(L)		
	33	LV43054-003A	ROD(R)		
	34	LV43001-001A	COLLAR	(x2)	
	35	LV21285-003A	PROTECTOR		
	36	LV43055-001A	PROTECTOR SP.		
	37	QAR0373-001	MOTOR		
	38	LV43002-002A	WORM GEAR		
	39	QYSPSPT2025MA	SCREW	M2 x 2.5mm(x2)	
	40	LV33679-001A	MOTOR H. ASSY		
	41	LV33614-003A	WORM WHEEL		
	42	QYWDL1230250	SLIT WASHER	3mm/1.2mm x 0.25mm	
	43	VKZ4539-056	MINI SCREW	(x2)	
	44	LV33615-001A	GEAR 2		
	45	LV43057-004A	IDLER ARM ASSY		
	46	QYWDL1635252	SLIT WASHER	3.5mm/1.6mm x 0.25mm	
	47	LV21286-001A	CONTROL CAM		
	48	QYWDL1230196	SLIT WASHER	3mm/1.2mm x 0.19mm	
	49	LV33616-002A	LOAD.LOCK LEVER		
	50	LV43060-001A	CAM SPRING		
	51	LV43005-001A	GEAR 4		
	52	LV43006-002A	GEAR 5		
	53	LV33617-002A	GEAR 6		
	54	LV33618-002A	LOADING G. ARM		
	55	QYWDL1635252	SLIT WASHER	3.5mm/1.6mm x 0.25mm	
	56	LV43007-002A	GEAR 7		
	57	LV33619-002A	GEAR 8		
	58	LV42132-001A	E RING		
	59	QYWFM215013	WASHER	5mm/2.1mm x 0.13mm	
	60	LV33620-001A	GEAR 9		
	61	LV43008-001A	GEAR10		
	62	LV43061-001A	LOAD SPRING		
	63	LV33621-001A	FEED GEAR		
	64	LV33622-002A	TRIGGER ARM		
	65	LV43062-001A	FEED TRI.SPRING		
	66	QAR0240-002	SPINDLE MOTOR		
	67	LV21287-002A	SPINDLE BASE		
	68	LV44169-001A	SPECIAL SCREW	(x2)	
	69	VKZ4539-056	MINI SCREW	(x2)	
	70	QAL0742-001	DVD PICK UP		
	71	LV34583-002A	CD RACK PLATE		
	72	LV34579-001A	CD RACK SPRING		
	73	LV43903-002A	MINI TAP SCREW		
	74	LV43037-001A	LEAD SCREW		

△ Symbol No.	Part No.	Part Name	Description	Local
75	LV43010-001A	L.S.GEAR		
76	LV43063-001A	L.S.COLLAR		
77	LV43011-001A	THRUST SPRING		
78	QYSPSFT2040ZA	TAP SCREW	M2 x 4mm	
79	LV33624-001A	HOLDER(M)		
80	VKZ4539-056	MINI SCREW	(x2)	
81	LV22130-001A	HOLDER(S) 2		
82	VKZ4539-056	MINI SCREW	(x2)	
83	LV43064-001A	ROD(M)		
84	LV43065-001A	ROD(S)		
85	LV43066-001A	SUB SHAFT		
86	VKZ4730-002	SPECIAL SCREW	(x3)	
87	LV21298-007A	CLAMPER UNIT		
88	LV43070-001A	CLAMPER SPRING		
89	LV43355-001A	CLAMPER2 SPRING		
90	LV30225-0J6A	SPACER		
91	LV22185-001A	FRONT UNIT (C)		
92	VKZ4539-056	MINI SCREW		
93	LVB30012-002A	SW FPC		
94	NSW0187-001	SWITCH		
95	NSW0187-001	SWITCH		
96	NSW0187-001	SWITCH		
97	VKZ4539-055	MINI SCREW	(x2)	

# Electrical parts list

## Main board (Except KW-AVX701UN)

Block No. [0][1]

△ Symbol No.	Part No.	Part Name	Description	Local
IC36	LC72725NM-X	IC		AVX700E, AVX706E, AVX706EU, AVX706EE
IC51	BD3433K	IC		
IC71	CD4053BPW-X	IC		
IC341	CD4053BPW-X	IC		
IC351	TDA7416	IC		
IC371	TB2904HQ	IC		
IC381	NJM4565V-X	IC		
IC701	UPD784218AGC342	IC		
IC715	LM2904PW-X	IC		
IC721	BR24L32F-W-X	IC(DIGITAL)		
IC731	S-80833CNNB-G-W	IC		
IC741	SN74AHCT1G08V-X	IC		
IC801	R2S25400DS-E	IC		
IC821	BD3930FP-X	IC		
IC822	BD9781HFP-W	IC		
IC823	BH33MA3WHFV-W	IC		
IC871	BD9781HFP-W	IC		
IC872	SN74AHCT1G08V-X	IC		
IC881	BA6956AN	IC		
IC910	LT1946AEMS8E-X	IC		
IC941	SN74AHC126NS-X	IC		
IC971	SN74LVC32APW-X	IC		
IC972	SN74HCT32APW-X	IC		
Q1	RT1N141C-X	DIGI TRANSISTOR		
Q11	2SC3928A/QR/-X	TRANSISTOR		
Q151	2SD2114K/VW/-X	TRANSISTOR		
Q161	2SD2114K/VW/-X	TRANSISTOR		
Q251	2SD2114K/VW/-X	TRANSISTOR		
Q261	2SD2114K/VW/-X	TRANSISTOR		
Q351	2SD2114K/VW/-X	TRANSISTOR		
Q361	2SD2114K/VW/-X	TRANSISTOR		
Q371	RT1N441C-X	TRANSISTOR		
Q372	RT1P441C-X	DIGI TRANSISTOR		
Q373	RT1N141C-X	DIGI TRANSISTOR		
Q374	2SC3928A/QR/-X	TRANSISTOR		
Q701	2SC3928A/QR/-X	TRANSISTOR		
Q801	RSQ030P03-W	MOS FET		
Q802	RT1N141C-X	DIGI TRANSISTOR		
Q821	2SB1132/QR/-W	TRANSISTOR		
Q822	RT1N141C-X	DIGI TRANSISTOR		
Q825	2SA1530A/QR/-X	TRANSISTOR		
Q827	RT1N141C-X	DIGI TRANSISTOR		
Q841	RT1P141C-X	DIGI TRANSISTOR		
Q842	RT1P141C-X	DIGI TRANSISTOR		
Q843	RT1P141C-X	DIGI TRANSISTOR		
Q844	RT1P141C-X	DIGI TRANSISTOR		
Q845	RT1N141C-X	DIGI TRANSISTOR		
Q847	2SC3928A/QR/-X	TRANSISTOR		
Q848	RT1N141C-X	DIGI TRANSISTOR		
Q861	2SA1530A/QR/-X	TRANSISTOR		
Q862	2SA1530A/QR/-X	TRANSISTOR		
Q871	2SK3019-X	MOS FET		
Q881	RT1N141C-X	DIGI TRANSISTOR		
Q883	RT1N141C-X	DIGI TRANSISTOR		
Q951	RT1N141C-X	DIGI TRANSISTOR		
Q952	2SA1530A/QR/-X	TRANSISTOR		
Q953	RT1N441C-X	TRANSISTOR		
Q7350	2SC3928A/QR/-X	TRANSISTOR		
Q9101	2SC3928A/QR/-X	TRANSISTOR		
Q9201	2SC3928A/QR/-X	TRANSISTOR		
Q9401	2SA1530A/QR/-X	TRANSISTOR		
D2	MA111-X	SI DIODE		
D2	or 1SS355-X	DIODE C.M		
D3	MA111-X	SI DIODE		
D3	or 1SS355-X	DIODE C.M		
D51	CRS03-W	SB DIODE		
D151	MC2836-X	DIODE		

△ Symbol No.	Part No.	Part Name	Description	Local
D251	MC2836-X	DIODE		
D352	MA111-X	SI DIODE		
D352	or 1SS355-X	DIODE C.M		
D361	MA111-X	SI DIODE		
D361	or 1SS355-X	DIODE C.M		
D371	UDZW11B-X	Z DIODE		
D731	MA111-X	SI DIODE		
D731	or 1SS355-X	DIODE C.M		
D802	MA111-X	SI DIODE		
D802	or 1SS355-X	DIODE C.M		
D821	RB051L-40-X	SB DIODE		
D822	RB051L-40-X	SB DIODE		
D823	CRS03-W	SB DIODE		
D825	CRS03-W	SB DIODE		
D841	UDZW11B-X	Z DIODE		
D842	MC2836-X	DIODE		
D843	MA111-X	SI DIODE		
D843	or 1SS355-X	DIODE C.M		
D844	MC2836-X	DIODE		
D845	MA111-X	SI DIODE		
D845	or 1SS355-X	DIODE C.M		
D846	MC2836-X	DIODE		
D847	MA111-X	SI DIODE		
D847	or 1SS355-X	DIODE C.M		
D861	CRS03-W	SB DIODE		
D871	CRS03-W	SB DIODE		
D872	CRS03-W	SB DIODE		
D881	UDZW5.1B-X	SB DIODE		
D882	CRS03-W	SB DIODE		
D883	UDZW5.1B-X	SB DIODE		
D901	1N5401-F64	SI DIODE		
D961	CRS03-W	SB DIODE		
D962	CRS03-W	SB DIODE		
D963	CRS03-W	SB DIODE		
D981	CRS03-W	SB DIODE		
D982	RB160M-30-X	SB DIODE		
D983	RB160M-30-X	SB DIODE		
D984	CRS03-W	SB DIODE		
D998	MA8062/M/-X	Z DIODE		
D998	or UDZW6.2B-X	Z DIODE		
D999	MA8062/M/-X	Z DIODE		
D999	or UDZW6.2B-X	Z DIODE		
D7350	MA111-X	SI DIODE		
D7350	or 1SS355-X	DIODE C.M		
D7351	MA111-X	SI DIODE		
D7351	or 1SS355-X	DIODE C.M		
D7352	MC2836-X	DIODE		
D9101	CRS03-W	SB DIODE		
D9201	MA111-X	SI DIODE		
D9202	MA111-X	SI DIODE		
D9203	MA8180/M/-X	Z DIODE		
D9203	or UDZW18B-X	Z DIODE		
D9301	RB521S-30-X	SB DIODE		
D9302	RB521S-30-X	SB DIODE		
D9401	MA111-X	SI DIODE		
D9402	MA8091/M/-X	Z DIODE		
D9402	or UDZW9.1B-X	Z DIODE		
C1	NCB31HK-103X	C CAPACITOR	0.01uF 50V K	
C2	QERF1AM-107Z	E CAPACITOR	100uF 10V M	
C3	QERF1CM-476Z	E CAPACITOR	47uF 16V M	
C4	NCB31HK-103X	C CAPACITOR	0.01uF 50V K	
C7	NCB31AK-224X	C CAPACITOR	0.22uF 10V K	
C8	NCB31CK-104X	C CAPACITOR	0.1uF 16V K	
C11	NCB31CK-105X	C CAPACITOR	1uF 16V K	
C12	NDC31HJ-331X	C CAPACITOR	330pF 50V J	

AVX700U,  
AVX700UN,  
AVX700A,  
AVX706J,  
AVX706U,  
AVX706UN,  
AVX700U,  
AVX700UN,  
AVX700A,  
AVX706J,  
AVX706U,  
AVX706UN



△ Symbol No.	Part No.	Part Name	Description	Local	△ Symbol No.	Part No.	Part Name	Description	Local
C31	NCB31HK-103X	C CAPACITOR	0.01uF 50V K	AVX700E, AVX706E, AVX706EU, AVX706EE	C343	NCB31CK-104X	C CAPACITOR	0.1uF 16V K	
C32	QERF0JM-476Z	E CAPACITOR	47uF 6.3V M	AVX700E, AVX706E, AVX706EU, AVX706EE	C344	NCB31CK-104X	C CAPACITOR	0.1uF 16V K	
C33	NDC31HJ-330X	C CAPACITOR	33pF 50V J	AVX700E, AVX706E, AVX706EU, AVX706EE	C351	QERF1EM-475Z	E CAPACITOR	4.7uF 25V M	
C34	NDC31HJ-330X	C CAPACITOR	33pF 50V J	AVX700E, AVX706E, AVX706EU, AVX706EE	C352	NCB31HK-102X	C CAPACITOR	1000pF 50V K	
C35	NDC31HJ-561X	C CAPACITOR	560pF 50V J	AVX700E, AVX706E, AVX706EU, AVX706EE	C361	QERF1EM-475Z	E CAPACITOR	4.7uF 25V M	
C36	NDC31HJ-331X	C CAPACITOR	330pF 50V J	AVX700E, AVX706E, AVX706EU, AVX706EE	C362	NCB31CK-223X	C CAPACITOR	0.022uF 16V K	
C37	QERF1CM-106Z	E CAPACITOR	10uF 16V M	AVX700E, AVX706E, AVX706EU, AVX706EE	C363	NDC31HJ-101X	C CAPACITOR	100pF 50V J	
C39	NCB31HK-102X	C CAPACITOR	1000pF 50V K		C371	NCB31HK-103X	C CAPACITOR	0.01uF 50V K	
C52	NCB31HK-103X	C CAPACITOR	0.01uF 50V K		C372	QEKC1EM-106Z	E CAPACITOR	10uF 25V M	
C53	NCB31HK-103X	C CAPACITOR	0.01uF 50V K		C373	QEKC1EM-106Z	E CAPACITOR	10uF 25V M	
C54	QERF1CM-476Z	E CAPACITOR	47uF 16V M		C374	NCB31HK-103X	C CAPACITOR	0.01uF 50V K	
C55	QEKC1HM-105Z	E CAPACITOR	1uF 50V M		C375	QETN1EM-476Z	E CAPACITOR	47uF 25V M	
C56	QEKC1HM-105Z	E CAPACITOR	1uF 50V M		C376	QETN1HM-226Z	E CAPACITOR	22uF 50V M	
C57	QEKC1HM-105Z	E CAPACITOR	1uF 50V M		C377	QETN1HM-225Z	E CAPACITOR	2.2uF 50V M	
C61	QEKC1HM-105Z	E CAPACITOR	1uF 50V M		C378	QEKC1EM-106Z	E CAPACITOR	10uF 25V M	
C62	QEKC1HM-105Z	E CAPACITOR	1uF 50V M		C381	QEKC1HM-475Z	E CAPACITOR	4.7uF 50V M	
C63	QEKC1HM-105Z	E CAPACITOR	1uF 50V M		C382	QEKC1HM-475Z	E CAPACITOR	4.7uF 50V M	
C64	QEKC1HM-105Z	E CAPACITOR	1uF 50V M		C383	NDC31HJ-221X	C CAPACITOR	220pF 50V J	
C65	QEKC1HM-105Z	E CAPACITOR	1uF 50V M		C384	NDC31HJ-221X	C CAPACITOR	220pF 50V J	
C66	QEKC1HM-105Z	E CAPACITOR	1uF 50V M		C386	QETN1HM-106Z	E CAPACITOR	10uF 50V M	
C71	NCB31HK-103X	C CAPACITOR	0.01uF 50V K		C387	NCB31HK-103X	C CAPACITOR	0.01uF 50V K	
C73	NCB31HK-103X	C CAPACITOR	0.01uF 50V K		C701	NCB31CK-473X	C CAPACITOR	0.047uF 16V K	
C112	QEKC1HM-475Z	E CAPACITOR	4.7uF 50V M		C703	NCB31HK-471X	C CAPACITOR	470pF 50V K	
C113	NDC31HJ-821X	C CAPACITOR	820pF 50V J		C704	NCB31HK-471X	C CAPACITOR	470pF 50V K	
C120	QEKC1HM-105Z	E CAPACITOR	1uF 50V M		C706	NDC31HJ-8R0X	C CAPACITOR	8pF 50V J	
C121	QERF1HM-105Z	E CAPACITOR	1uF 50V M		C707	NDC31HJ-270X	C CAPACITOR	27pF 50V J	
C122	QERF1HM-105Z	E CAPACITOR	1uF 50V M		C708	NDC31HJ-270X	C CAPACITOR	27pF 50V J	
C141	QERF1HM-105Z	E CAPACITOR	1uF 50V M		C709	NDC31HJ-220X	C CAPACITOR	22pF 50V J	
C142	QERF1HM-105Z	E CAPACITOR	1uF 50V M		C710	QETN0JM-108Z	E CAPACITOR	1000uF 6.3V M	
C151	QERF1EM-475Z	E CAPACITOR	4.7uF 25V M		C711	NCB31CK-104X	C CAPACITOR	0.1uF 16V K	
C152	NDC31HJ-101X	C CAPACITOR	100pF 50V J		C712	NCB31HK-102X	C CAPACITOR	1000pF 50V K	
C161	QERF1EM-475Z	E CAPACITOR	4.7uF 25V M		C713	NDC31HJ-101X	C CAPACITOR	100pF 50V J	
C162	NDC31HJ-101X	C CAPACITOR	100pF 50V J		C721	NCB31HK-471X	C CAPACITOR	470pF 50V K	
C165	NCB31HK-102X	C CAPACITOR	1000pF 50V K		C731	NCB31HK-103X	C CAPACITOR	0.01uF 50V K	
C172	NFV81CM-105X	MF CAPACITOR	1uF 16V M		C732	QETN1AM-476Z	E CAPACITOR	47uF 10V M	
C173	NDC31HJ-101X	C CAPACITOR	100pF 50V J		C733	NCB31CK-104X	C CAPACITOR	0.1uF 16V K	
C182	NFV81CM-105X	MF CAPACITOR	1uF 16V M		C734	NCB31HK-331X	C CAPACITOR	330pF 50V K	
C183	NDC31HJ-101X	C CAPACITOR	100pF 50V J		C741	NCB31HK-103X	C CAPACITOR	0.01uF 50V K	
C212	QEKC1HM-475Z	E CAPACITOR	4.7uF 50V M		C801	QERF1CM-106Z	E CAPACITOR	10uF 16V M	
C213	NDC31HJ-821X	C CAPACITOR	820pF 50V J		C802	NCB31CK-104X	C CAPACITOR	0.1uF 16V K	
C220	QEKC1HM-105Z	E CAPACITOR	1uF 50V M		C803	QERF1AM-227Z	E CAPACITOR	220uF 10V M	
C221	QERF1HM-105Z	E CAPACITOR	1uF 50V M		C804	NCB31CK-104X	C CAPACITOR	0.1uF 16V K	
C222	QERF1HM-105Z	E CAPACITOR	1uF 50V M		C805	NCB31HK-103X	C CAPACITOR	0.01uF 50V K	
C241	QERF1HM-105Z	E CAPACITOR	1uF 50V M		C806	QERF1AM-227Z	E CAPACITOR	220uF 10V M	
C242	QERF1HM-105Z	E CAPACITOR	1uF 50V M		C807	QERF1CM-226Z	E CAPACITOR	22uF 16V M	
C251	QERF1EM-475Z	E CAPACITOR	4.7uF 25V M		C808	NCB31HK-102X	C CAPACITOR	1000pF 50V K	
C252	NDC31HJ-101X	C CAPACITOR	100pF 50V J		C809	NCB31CK-104X	C CAPACITOR	0.1uF 16V K	
C261	QERF1EM-475Z	E CAPACITOR	4.7uF 25V M		C811	QERF1CM-226Z	E CAPACITOR	22uF 16V M	
C262	NDC31HJ-101X	C CAPACITOR	100pF 50V J		C821	QETN1CM-107Z	E CAPACITOR	100uF 16V M	
C265	NCB31HK-102X	C CAPACITOR	1000pF 50V K		C822	QETN1AM-227Z	E CAPACITOR	220uF 10V M	
C272	NFV81CM-105X	MF CAPACITOR	1uF 16V M		C823	NCB31CK-104X	C CAPACITOR	0.1uF 16V K	
C273	NDC31HJ-101X	C CAPACITOR	100pF 50V J		C824	NCB31HK-472X	C CAPACITOR	4700pF 50V K	
C282	NFV81CM-105X	MF CAPACITOR	1uF 16V M		C827	QEZO595-477Z	E CAPACITOR	470uF	
C283	NDC31HJ-101X	C CAPACITOR	100pF 50V J		C828	QEZO595-477Z	E CAPACITOR	470uF	
C321	QETN1CM-107Z	E CAPACITOR	100uF 16V M		C829	NCB31CK-104X	C CAPACITOR	0.1uF 16V K	
C322	NCB31CK-473X	C CAPACITOR	0.047uF 16V K		C830	NCB31CK-105X	C CAPACITOR	1uF 16V K	
C323	QEKC1EM-106Z	E CAPACITOR	10uF 25V M		C831	QETN1AM-227Z	E CAPACITOR	220uF 10V M	
C325	NBE21AM-226X	TA E CAPACITOR	22uF 10V M		C832	NCB31HK-103X	C CAPACITOR	0.01uF 50V K	
C341	NCB31CK-105X	C CAPACITOR	1uF 16V K		C834	NCB31HK-103X	C CAPACITOR	0.01uF 50V K	
C342	NCB31CK-105X	C CAPACITOR	1uF 16V K		C838	NCB31HK-103X	C CAPACITOR	0.01uF 50V K	
					C841	QETN1EM-476Z	E CAPACITOR	47uF 25V M	
					C842	NBE41AM-476X	TA E CAPACITOR	47uF 10V M	
					C843	NBE41AM-476X	TA E CAPACITOR	47uF 10V M	
					C844	NBE41AM-476X	TA E CAPACITOR	47uF 10V M	
					C845	NCB31CK-104X	C CAPACITOR	0.1uF 16V K	
					C847	QETN1HM-226Z	E CAPACITOR	22uF 50V M	
					C848	NCB31CK-105X	C CAPACITOR	1uF 16V K	
					C849	NCB31CK-104X	C CAPACITOR	0.1uF 16V K	
					C861	NCB31CK-104X	C CAPACITOR	0.1uF 16V K	
					C865	NCB31CK-104X	C CAPACITOR	0.1uF 16V K	
					C866	NCB31CK-104X	C CAPACITOR	0.1uF 16V K	
					C871	NCB31HK-472X	C CAPACITOR	4700pF 50V K	
					C872	NCB31CK-104X	C CAPACITOR	0.1uF 16V K	
					C873	NCJ11EK-106X-R	C CAPACITOR	10uF 25V	
					C873	or NCJ11EK-106X-A	C CAPACITOR	10uF 25V K	
					C874	NCJ11EK-106X-R	C CAPACITOR	10uF 25V	
					C874	or NCJ11EK-106X-A	C CAPACITOR	10uF 25V K	
					C875	NCB31HK-103X	C CAPACITOR	0.01uF 50V K	

△ Symbol No.	Part No.	Part Name	Description	Local	△ Symbol No.	Part No.	Part Name	Description	Local
C876	QEZ0595-477Z	E CAPACITOR	470uF						AVX700E, AVX706E, AVX706EU, AVX706EE
C877	NCB31HK-103X	C CAPACITOR	0.01uF 50V K		R37	NRSA63J-222X	MG RESISTOR	2.2kΩ 1/16W J	
C881	QETN1CM-107Z	E CAPACITOR	100uF 16V M						
C882	NCB31CK-473X	C CAPACITOR	0.047uF 16V K						
C901	QEZ0723-338	E CAPACITOR	3300uF						
C902	QERF1HM-225Z	E CAPACITOR	2.2uF 50V M		R38	NRSA63J-0R0X	MG RESISTOR	0Ω 1/16W J	AVX700E, AVX706E, AVX706EU, AVX706EE
C941	NDC31HJ-220X	C CAPACITOR	22pF 50V J						
C942	NCB31CK-473X	C CAPACITOR	0.047uF 16V K		R39	NRSA63J-222X	MG RESISTOR	2.2kΩ 1/16W J	AVX700E, AVX706E, AVX706EU, AVX706EE
C943	NDC31HJ-220X	C CAPACITOR	22pF 50V J						
C951	QERF1HM-104Z	E CAPACITOR	0.1uF 50V M						
C968	QETN1CM-107Z	E CAPACITOR	100uF 16V M		R51	NRSA63J-0R0X	MG RESISTOR	0Ω 1/16W J	
C971	NCB31CK-104X	C CAPACITOR	0.1uF 16V K		R52	NRSA63J-0R0X	MG RESISTOR	0Ω 1/16W J	
C972	NCB31CK-104X	C CAPACITOR	0.1uF 16V K		R53	NRSA63J-103X	MG RESISTOR	10kΩ 1/16W J	
C973	NCB31HK-102X	C CAPACITOR	1000pF 50V K		R54	NRSA63J-103X	MG RESISTOR	10kΩ 1/16W J	
C974	NCB31HK-102X	C CAPACITOR	1000pF 50V K		R55	NRSA63J-103X	MG RESISTOR	10kΩ 1/16W J	
				AVX700U, AVX700UN, AVX700A, AVX706J, AVX706U, AVX706UN	R56	NRSA63J-222X	MG RESISTOR	2.2kΩ 1/16W J	
C981	NCB31CK-104X	C CAPACITOR	0.1uF 16V K		R57	NRSA63J-222X	MG RESISTOR	2.2kΩ 1/16W J	
					R58	NRSA63J-222X	MG RESISTOR	2.2kΩ 1/16W J	
C982	NCB31CK-104X	C CAPACITOR	0.1uF 16V K		R59	NRSA63J-393X	MG RESISTOR	39kΩ 1/16W J	
C7350	QEK1HM-475Z	E CAPACITOR	4.7uF 50V M		R71	NRSA63J-0R0X	MG RESISTOR	0Ω 1/16W J	
C7352	NDC31HJ-221X	C CAPACITOR	220pF 50V J		R72	NRSA63J-0R0X	MG RESISTOR	0Ω 1/16W J	
C7353	NDC31HJ-470X	C CAPACITOR	47pF 50V J		R73	NRSA63J-103X	MG RESISTOR	10kΩ 1/16W J	
C7354	NCB31HK-472X	C CAPACITOR	4700pF 50V K		R74	NRSA63J-103X	MG RESISTOR	10kΩ 1/16W J	
C7355	QERF1HM-224Z	E CAPACITOR	0.22uF 50V M		R111	NRSA63J-103X	MG RESISTOR	10kΩ 1/16W J	
C7357	NCB31HK-103X	C CAPACITOR	0.01uF 50V K						AVX700E, AVX700U, AVX700UN, AVX700A, AVX706U, AVX706UN, AVX706E, AVX706EU, AVX706EE
C7358	QETN1HM-106Z	E CAPACITOR	10uF 50V M						
C7359	QETN1HM-106Z	E CAPACITOR	10uF 50V M		R112	NRSA63J-683X	MG RESISTOR	68kΩ 1/16W J	
C9101	NCB11CK-225X	C CAPACITOR	2.2uF 16V K						
C9102	NCB31HK-103X	C CAPACITOR	0.01uF 50V K						
C9104	NCJ11EK-106X-R	C CAPACITOR	10uF 25V						
C9104	or NCJ11EK-106X-A	C CAPACITOR	10uF 25V K						
C9105	NCB31CK-105X	C CAPACITOR	1uF 16V K		R112	NRSA63J-123X	MG RESISTOR	12kΩ 1/16W J	AVX706J
C9106	NCB31HK-103X	C CAPACITOR	0.01uF 50V K		R128	NRSA63J-0R0X	MG RESISTOR	0Ω 1/16W J	
C9107	NCS31HJ-271X	C CAPACITOR	270pF 50V J		R141	NRSA63J-473X	MG RESISTOR	47kΩ 1/16W J	
C9109	NCB11CK-225X	C CAPACITOR	2.2uF 16V K		R142	NRSA63J-473X	MG RESISTOR	47kΩ 1/16W J	
C9110	QETN1CM-107Z	E CAPACITOR	100uF 16V M		R151	NRSA63J-473X	MG RESISTOR	47kΩ 1/16W J	
C9111	NCF21HZ-105X	C CAPACITOR	1uF 50V Z		R152	NRSA63J-102X	MG RESISTOR	1kΩ 1/16W J	
C9201	NCF21CZ-105X	C CAPACITOR	1uF 16V Z		R153	NRSA63J-101X	MG RESISTOR	100Ω 1/16W J	
C9202	NCF21HZ-105X	C CAPACITOR	1uF 50V Z		R154	NRSA63J-222X	MG RESISTOR	2.2kΩ 1/16W J	
C9203	NCF31EZ-104X	C CAPACITOR	0.1uF 25V Z		R161	NRSA63J-473X	MG RESISTOR	47kΩ 1/16W J	
C9204	NCF21HZ-105X	C CAPACITOR	1uF 50V Z		R162	NRSA63J-102X	MG RESISTOR	1kΩ 1/16W J	
C9205	QETN1EM-107Z	E CAPACITOR	100uF 25V M		R163	NRSA63J-101X	MG RESISTOR	100Ω 1/16W J	
C9301	NCB31CK-105X	C CAPACITOR	1uF 16V K		R164	NRSA63J-222X	MG RESISTOR	2.2kΩ 1/16W J	
C9302	NCB31CK-105X	C CAPACITOR	1uF 16V K		R165	NRSA63J-151X	MG RESISTOR	150Ω 1/16W J	
C9304	NCB31CK-105X	C CAPACITOR	1uF 16V K		R171	NRSA63J-101X	MG RESISTOR	100Ω 1/16W J	
C9305	QETN1CM-107Z	E CAPACITOR	100uF 16V M		R173	NRSA63J-102X	MG RESISTOR	1kΩ 1/16W J	
C9401	NCF31CZ-104X	C CAPACITOR	0.1uF 16V Z		R181	NRSA63J-101X	MG RESISTOR	100Ω 1/16W J	
C9402	NCB31CK-105X	C CAPACITOR	1uF 16V K		R183	NRSA63J-102X	MG RESISTOR	1kΩ 1/16W J	
C9403	QETN1EM-476Z	E CAPACITOR	47uF 25V M		R211	NRSA63J-103X	MG RESISTOR	10kΩ 1/16W J	
R2	NRSA63J-6R8X	MG RESISTOR	6.8Ω 1/16W J						AVX700E, AVX700U, AVX700UN, AVX700A, AVX706U, AVX706UN, AVX706E, AVX706EU, AVX706EE
R3	NRSA63J-6R8X	MG RESISTOR	6.8Ω 1/16W J						
R4	NRSA63J-223X	MG RESISTOR	22kΩ 1/16W J		R212	NRSA63J-683X	MG RESISTOR	68kΩ 1/16W J	
R5	NRSA63J-102X	MG RESISTOR	1kΩ 1/16W J						
R6	NRSA63J-0R0X	MG RESISTOR	0Ω 1/16W J						
R8	NRSA63J-332X	MG RESISTOR	3.3kΩ 1/16W J						
R11	NRSA63J-474X	MG RESISTOR	470kΩ 1/16W J						
R12	NRSA63J-474X	MG RESISTOR	470kΩ 1/16W J		R212	NRSA63J-123X	MG RESISTOR	12kΩ 1/16W J	AVX706J
R13	NRSA63J-332X	MG RESISTOR	3.3kΩ 1/16W J		R228	NRSA63J-0R0X	MG RESISTOR	0Ω 1/16W J	
R14	NRSA63J-121X	MG RESISTOR	120Ω 1/16W J		R241	NRSA63J-473X	MG RESISTOR	47kΩ 1/16W J	
R15	NRSA63J-0R0X	MG RESISTOR	0Ω 1/16W J		R242	NRSA63J-473X	MG RESISTOR	47kΩ 1/16W J	
R16	NRSA63J-0R0X	MG RESISTOR	0Ω 1/16W J		R251	NRSA63J-473X	MG RESISTOR	47kΩ 1/16W J	
				AVX700E, AVX706E, AVX706EU, AVX706EE	R252	NRSA63J-102X	MG RESISTOR	1kΩ 1/16W J	
R31	NRSA63J-0R0X	MG RESISTOR	0Ω 1/16W J		R253	NRSA63J-101X	MG RESISTOR	100Ω 1/16W J	
					R254	NRSA63J-222X	MG RESISTOR	2.2kΩ 1/16W J	
R35	NRSA63J-0R0X	MG RESISTOR	0Ω 1/16W J		R261	NRSA63J-473X	MG RESISTOR	47kΩ 1/16W J	
				AVX700E, AVX706E, AVX706EU, AVX706EE	R262	NRSA63J-102X	MG RESISTOR	1kΩ 1/16W J	
					R263	NRSA63J-101X	MG RESISTOR	100Ω 1/16W J	
R36	NRSA63J-222X	MG RESISTOR	2.2kΩ 1/16W J		R264	NRSA63J-222X	MG RESISTOR	2.2kΩ 1/16W J	
				AVX700E, AVX706E, AVX706EU, AVX706EE	R265	NRSA63J-151X	MG RESISTOR	150Ω 1/16W J	
					R271	NRSA63J-101X	MG RESISTOR	100Ω 1/16W J	
					R273	NRSA63J-102X	MG RESISTOR	1kΩ 1/16W J	
					R281	NRSA63J-101X	MG RESISTOR	100Ω 1/16W J	
					R283	NRSA63J-102X	MG RESISTOR	1kΩ 1/16W J	
					R319	NRSA63J-0R0X	MG RESISTOR	0Ω 1/16W J	
					R320	NRSA63J-0R0X	MG RESISTOR	0Ω 1/16W J	

△ Symbol No.	Part No.	Part Name	Description	Local	△ Symbol No.	Part No.	Part Name	Description	Local
R321	NRSA63J-473X	MG RESISTOR	47kΩ 1/16W J						AVX700E,
R322	NRSA63J-473X	MG RESISTOR	47kΩ 1/16W J						AVX700U,
R323	NRSA63J-473X	MG RESISTOR	47kΩ 1/16W J						AVX700UN,
R326	NRSA63J-222X	MG RESISTOR	2.2kΩ 1/16W J						AVX700A,
R328	NRSA63J-222X	MG RESISTOR	2.2kΩ 1/16W J		R745	NRSA63J-473X	MG RESISTOR	47kΩ 1/16W J	AVX706U,
R329	NRSA63J-222X	MG RESISTOR	2.2kΩ 1/16W J						AVX706UN,
R341	NRSA63J-0R0X	MG RESISTOR	0Ω 1/16W J						AVX706E,
R342	NRSA63J-0R0X	MG RESISTOR	0Ω 1/16W J						AVX706EU,
R343	NRSA63J-473X	MG RESISTOR	47kΩ 1/16W J		R746	NRSA63J-473X	MG RESISTOR	47kΩ 1/16W J	AVX706EE
R351	NRSA63J-473X	MG RESISTOR	47kΩ 1/16W J		R747	NRSA63J-102X	MG RESISTOR	1kΩ 1/16W J	AVX706J
R352	NRSA63J-102X	MG RESISTOR	1kΩ 1/16W J		R748	NRSA63J-222X	MG RESISTOR	2.2kΩ 1/16W J	
R353	NRSA63J-101X	MG RESISTOR	100Ω 1/16W J		R749	NRSA63J-102X	MG RESISTOR	1kΩ 1/16W J	
R354	NRSA63J-222X	MG RESISTOR	2.2kΩ 1/16W J		R750	NRSA63J-473X	MG RESISTOR	47kΩ 1/16W J	
R361	NRSA63J-473X	MG RESISTOR	47kΩ 1/16W J		R751	NRSA63J-473X	MG RESISTOR	47kΩ 1/16W J	
R362	NRSA63J-102X	MG RESISTOR	1kΩ 1/16W J		R752	NRSA63J-473X	MG RESISTOR	47kΩ 1/16W J	
R363	NRSA63J-101X	MG RESISTOR	100Ω 1/16W J		R753	NRSA63J-222X	MG RESISTOR	2.2kΩ 1/16W J	
R364	NRSA63J-222X	MG RESISTOR	2.2kΩ 1/16W J		R754	NRSA63J-222X	MG RESISTOR	2.2kΩ 1/16W J	
R370	NRSA63J-473X	MG RESISTOR	47kΩ 1/16W J		R755	NRSA63J-222X	MG RESISTOR	2.2kΩ 1/16W J	
R372	NRSA63J-473X	MG RESISTOR	47kΩ 1/16W J		R756	NRSA63J-473X	MG RESISTOR	47kΩ 1/16W J	
R373	NRSA63J-222X	MG RESISTOR	2.2kΩ 1/16W J		R757	NRSA63J-473X	MG RESISTOR	47kΩ 1/16W J	
R374	NRSA63J-100X	MG RESISTOR	10Ω 1/16W J		R758	NRSA63J-222X	MG RESISTOR	2.2kΩ 1/16W J	
R375	NRSA63J-273X	MG RESISTOR	27kΩ 1/16W J		R759	NRSA63J-471X	MG RESISTOR	470Ω 1/16W J	
R377	NRSA63J-0R0X	MG RESISTOR	0Ω 1/16W J		R762	NRSA63J-102X	MG RESISTOR	1kΩ 1/16W J	
R378	NRSA63J-103X	MG RESISTOR	10kΩ 1/16W J		R763	NRSA63J-473X	MG RESISTOR	47kΩ 1/16W J	
R382	NRSA63J-223X	MG RESISTOR	22kΩ 1/16W J		R764	NRSA63J-102X	MG RESISTOR	1kΩ 1/16W J	
R383	NRSA63J-223X	MG RESISTOR	22kΩ 1/16W J		R765	NRSA63J-102X	MG RESISTOR	1kΩ 1/16W J	
R384	NRSA63J-223X	MG RESISTOR	22kΩ 1/16W J		R766	NRSA63J-102X	MG RESISTOR	1kΩ 1/16W J	
R385	NRSA63J-223X	MG RESISTOR	22kΩ 1/16W J		R767	NRSA63J-102X	MG RESISTOR	1kΩ 1/16W J	
R386	NRSA63J-223X	MG RESISTOR	22kΩ 1/16W J		R768	NRSA63J-562X	MG RESISTOR	5.6kΩ 1/16W J	
R387	NRSA63J-223X	MG RESISTOR	22kΩ 1/16W J		R769	NRSA63J-102X	MG RESISTOR	1kΩ 1/16W J	
R388	NRSA63J-0R0X	MG RESISTOR	0Ω 1/16W J		R770	NRSA63J-0R0X	MG RESISTOR	0Ω 1/16W J	
R701	NRSA63J-0R0X	MG RESISTOR	0Ω 1/16W J		R771	NRSA63J-222X	MG RESISTOR	2.2kΩ 1/16W J	
R702	NRSA63J-0R0X	MG RESISTOR	0Ω 1/16W J		R772	NRSA63J-222X	MG RESISTOR	2.2kΩ 1/16W J	
R703	NRSA63J-222X	MG RESISTOR	2.2kΩ 1/16W J		R773	NRSA63J-222X	MG RESISTOR	2.2kΩ 1/16W J	
R704	NRSA63J-821X	MG RESISTOR	820Ω 1/16W J		R774	NRSA63J-103X	MG RESISTOR	10kΩ 1/16W J	
R705	NRSA63J-106X	MG RESISTOR	10MΩ 1/16W J		R775	NRSA63J-102X	MG RESISTOR	1kΩ 1/16W J	
R706	NRSA63J-473X	MG RESISTOR	47kΩ 1/16W J		R777	NRSA63J-0R0X	MG RESISTOR	0Ω 1/16W J	
R707	NRSA63J-222X	MG RESISTOR	2.2kΩ 1/16W J		R778	NRSA63J-102X	MG RESISTOR	1kΩ 1/16W J	
R708	NRSA63J-333X	MG RESISTOR	33kΩ 1/16W J		R779	NRSA63J-102X	MG RESISTOR	1kΩ 1/16W J	
R709	NRSA63J-223X	MG RESISTOR	22kΩ 1/16W J		R780	NRSA63J-101X	MG RESISTOR	100Ω 1/16W J	
R710	NRSA63J-103X	MG RESISTOR	10kΩ 1/16W J		R781	NRSA63J-472X	MG RESISTOR	4.7kΩ 1/16W J	
R711	NRSA63J-222X	MG RESISTOR	2.2kΩ 1/16W J		R782	NRSA63J-472X	MG RESISTOR	4.7kΩ 1/16W J	
R712	NRSA63J-222X	MG RESISTOR	2.2kΩ 1/16W J		R783	NRSA63J-472X	MG RESISTOR	4.7kΩ 1/16W J	
R713	NRSA63J-222X	MG RESISTOR	2.2kΩ 1/16W J						AVX700E,
R714	NRSA63J-472X	MG RESISTOR	4.7kΩ 1/16W J		R784	NRSA63J-153X	MG RESISTOR	15kΩ 1/16W J	AVX706E,
R715	NRSA63J-102X	MG RESISTOR	1kΩ 1/16W J						AVX706EU
R716	NRSA63J-472X	MG RESISTOR	4.7kΩ 1/16W J						AVX700U,
R717	NRSA63J-472X	MG RESISTOR	4.7kΩ 1/16W J						AVX700UN,
R719	NRSA63J-103X	MG RESISTOR	10kΩ 1/16W J		R784	NRSA63J-822X	MG RESISTOR	8.2kΩ 1/16W J	AVX700A,
R720	NRSA63J-103X	MG RESISTOR	10kΩ 1/16W J						AVX706U,
R722	NRSA63J-103X	MG RESISTOR	10kΩ 1/16W J						AVX706UN
R723	NRSA63J-103X	MG RESISTOR	10kΩ 1/16W J		R784	NRSA63J-332X	MG RESISTOR	3.3kΩ 1/16W J	AVX706J
R725	NRSA63J-102X	MG RESISTOR	1kΩ 1/16W J		R784	NRSA63J-223X	MG RESISTOR	22kΩ 1/16W J	AVX706EE
R726	NRSA63J-392X	MG RESISTOR	3.9kΩ 1/16W J						AVX700E,
R727	NRSA63J-392X	MG RESISTOR	3.9kΩ 1/16W J		R787	NRSA63J-333X	MG RESISTOR	33kΩ 1/16W J	AVX706E,
R728	NRSA63J-392X	MG RESISTOR	3.9kΩ 1/16W J						AVX706EU
R729	NRSA63J-472X	MG RESISTOR	4.7kΩ 1/16W J						AVX700U,
R730	NRSA63J-472X	MG RESISTOR	4.7kΩ 1/16W J		R787	NRSA63J-393X	MG RESISTOR	39kΩ 1/16W J	AVX700UN,
R731	NRSA63J-472X	MG RESISTOR	4.7kΩ 1/16W J						AVX700A,
R732	NRSA63J-102X	MG RESISTOR	1kΩ 1/16W J						AVX706U,
R733	NRSA63J-103X	MG RESISTOR	10kΩ 1/16W J						AVX706UN
R734	NRSA63J-102X	MG RESISTOR	1kΩ 1/16W J		R787	NRSA63J-473X	MG RESISTOR	47kΩ 1/16W J	AVX706J
R735	NRSA63J-102X	MG RESISTOR	1kΩ 1/16W J		R787	NRSA63J-273X	MG RESISTOR	27kΩ 1/16W J	AVX706EE
R736	NRSA63J-102X	MG RESISTOR	1kΩ 1/16W J		R789	NRSA63J-222X	MG RESISTOR	2.2kΩ 1/16W J	
R737	NRSA63J-102X	MG RESISTOR	1kΩ 1/16W J		R790	NRSA63J-103X	MG RESISTOR	10kΩ 1/16W J	
R738	NRSA63J-102X	MG RESISTOR	1kΩ 1/16W J		R791	NRSA63J-822X	MG RESISTOR	8.2kΩ 1/16W J	
R739	NRSA63J-0R0X	MG RESISTOR	0Ω 1/16W J		R792	NRSA63J-822X	MG RESISTOR	8.2kΩ 1/16W J	
R740	NRSA63J-271X	MG RESISTOR	270Ω 1/16W J		R793	NRSA63J-822X	MG RESISTOR	8.2kΩ 1/16W J	
R741	NRSA63J-271X	MG RESISTOR	270Ω 1/16W J		R794	NRSA63J-104X	MG RESISTOR	100kΩ 1/16W J	
R742	NRSA63J-103X	MG RESISTOR	10kΩ 1/16W J		R795	NRSA63J-102X	MG RESISTOR	1kΩ 1/16W J	
R743	NRSA63J-102X	MG RESISTOR	1kΩ 1/16W J		R796	NRSA63J-222X	MG RESISTOR	2.2kΩ 1/16W J	
R744	NRSA63J-222X	MG RESISTOR	2.2kΩ 1/16W J		R797	NRSA63J-222X	MG RESISTOR	2.2kΩ 1/16W J	
					R798	NRSA63J-220X	MG RESISTOR	22Ω 1/16W J	
					R801	NRSA63J-562X	MG RESISTOR	5.6kΩ 1/16W J	
					R803	NRSA63J-102X	MG RESISTOR	1kΩ 1/16W J	
					R804	NRSA63J-103X	MG RESISTOR	10kΩ 1/16W J	
					R806	NRSA63J-0R0X	MG RESISTOR	0Ω 1/16W J	
					R807	NRS144J-220X	MG RESISTOR	22Ω 1/4W J	
					R808	NRS144J-220X	MG RESISTOR	22Ω 1/4W J	
					R821	NRSA63J-0R0X	MG RESISTOR	0Ω 1/16W J	

△ Symbol No.	Part No.	Part Name	Description	Local	△ Symbol No.	Part No.	Part Name	Description	Local
R822	NRSA63J-104X	MG RESISTOR	100kΩ 1/16W J						AVX700U, AVX700UN,
R823	NRSA63J-124X	MG RESISTOR	120kΩ 1/16W J						AVX700A, AVX706J, AVX706U, AVX706UN
R824	NRSA63J-123X	MG RESISTOR	12kΩ 1/16W J		R983	NRS181J-472X	MG RESISTOR	4.7kΩ 1/8W J	
R825	NRSA63J-393X	MG RESISTOR	39kΩ 1/16W J						
R826	NRSA63J-393X	MG RESISTOR	39kΩ 1/16W J						
R828	NRSA63J-223X	MG RESISTOR	22kΩ 1/16W J		R984	NRSA63J-0R0X	MG RESISTOR	0Ω 1/16W J	
R829	NRSA63J-471X	MG RESISTOR	470Ω 1/16W J		R7001	NRSA63J-102X	MG RESISTOR	1kΩ 1/16W J	
R830	NRSA63J-103X	MG RESISTOR	10kΩ 1/16W J		R7002	NRSA63J-102X	MG RESISTOR	1kΩ 1/16W J	
R833	NRSA63J-471X	MG RESISTOR	470Ω 1/16W J		R7003	NRSA63J-102X	MG RESISTOR	1kΩ 1/16W J	
R836	NRSA63J-473X	MG RESISTOR	47kΩ 1/16W J		R7004	NRSA63J-102X	MG RESISTOR	1kΩ 1/16W J	
R837	NRSA63J-222X	MG RESISTOR	2.2kΩ 1/16W J						AVX700E, AVX706E, AVX706EU, AVX706EE
R841	NRSA63J-471X	MG RESISTOR	470Ω 1/16W J		R7005	NRSA63J-473X	MG RESISTOR	47kΩ 1/16W J	
R842	NRSA63J-471X	MG RESISTOR	470Ω 1/16W J						AVX700U, AVX700UN, AVX700A, AVX706J, AVX706U, AVX706UN
R843	NRSA63J-471X	MG RESISTOR	470Ω 1/16W J						
R844	NRSA63J-473X	MG RESISTOR	47kΩ 1/16W J						
R845	NRSA63J-102X	MG RESISTOR	1kΩ 1/16W J						
R847	NRSA63J-473X	MG RESISTOR	47kΩ 1/16W J		R7006	NRSA63J-473X	MG RESISTOR	47kΩ 1/16W J	
R848	NRSA63J-103X	MG RESISTOR	10kΩ 1/16W J						
R849	NRSA63J-473X	MG RESISTOR	47kΩ 1/16W J						
R850	NRSA63J-472X	MG RESISTOR	4.7kΩ 1/16W J		R7007	NRSA63J-103X	MG RESISTOR	10kΩ 1/16W J	
R851	NRSA63J-0R0X	MG RESISTOR	0Ω 1/16W J		R7008	NRSA63J-223X	MG RESISTOR	22kΩ 1/16W J	
R852	NRSA63J-103X	MG RESISTOR	10kΩ 1/16W J		R7009	NRSA63J-223X	MG RESISTOR	22kΩ 1/16W J	
R853	NRSA63J-473X	MG RESISTOR	47kΩ 1/16W J		R7011	NRSA63J-102X	MG RESISTOR	1kΩ 1/16W J	
R857	NRSA63J-0R0X	MG RESISTOR	0Ω 1/16W J		R7012	NRSA63J-103X	MG RESISTOR	10kΩ 1/16W J	
R858	NRSA63J-0R0X	MG RESISTOR	0Ω 1/16W J		R7106	NRSA63J-0R0X	MG RESISTOR	0Ω 1/16W J	
R859	NRSA63J-104X	MG RESISTOR	100kΩ 1/16W J		R7107	NRSA63J-0R0X	MG RESISTOR	0Ω 1/16W J	
R861	NRSA63J-0R0X	MG RESISTOR	0Ω 1/16W J		R7108	NRSA63J-104X	MG RESISTOR	100kΩ 1/16W J	
R862	NRSA63J-103X	MG RESISTOR	10kΩ 1/16W J		R7206	NRSA63J-0R0X	MG RESISTOR	0Ω 1/16W J	
R863	NRSA63J-104X	MG RESISTOR	100kΩ 1/16W J		R7207	NRSA63J-0R0X	MG RESISTOR	0Ω 1/16W J	
R864	NRSA63J-103X	MG RESISTOR	10kΩ 1/16W J		R7351	NRSA63J-103X	MG RESISTOR	10kΩ 1/16W J	
R865	NRSA63J-104X	MG RESISTOR	100kΩ 1/16W J		R7352	NRSA63J-683X	MG RESISTOR	68kΩ 1/16W J	
R870	NRSA63J-103X	MG RESISTOR	10kΩ 1/16W J		R7355	NRSA63J-394X	MG RESISTOR	390kΩ 1/16W J	
R871	NRSA63J-124X	MG RESISTOR	120kΩ 1/16W J		R7356	NRSA63J-124X	MG RESISTOR	120kΩ 1/16W J	
R872	NRSA63J-124X	MG RESISTOR	120kΩ 1/16W J		R7357	NRSA63J-0R0X	MG RESISTOR	0Ω 1/16W J	
R873	NRSA63J-123X	MG RESISTOR	12kΩ 1/16W J		R7358	NRSA63J-124X	MG RESISTOR	120kΩ 1/16W J	
R875	NRSA63J-184X	MG RESISTOR	180kΩ 1/16W J		R7359	NRSA63J-394X	MG RESISTOR	390kΩ 1/16W J	
R876	NRSA63J-333X	MG RESISTOR	33kΩ 1/16W J		R7360	NRSA63J-104X	MG RESISTOR	100kΩ 1/16W J	
R877	NRSA63J-0R0X	MG RESISTOR	0Ω 1/16W J		R7361	NRSA63J-683X	MG RESISTOR	68kΩ 1/16W J	
R879	NRSA63J-393X	MG RESISTOR	39kΩ 1/16W J		R7363	NRSA63J-0R0X	MG RESISTOR	0Ω 1/16W J	
R880	NRSA63J-103X	MG RESISTOR	10kΩ 1/16W J		R7364	NRSA63J-223X	MG RESISTOR	22kΩ 1/16W J	
R881	NRSA63J-102X	MG RESISTOR	1kΩ 1/16W J		R7365	NRSA63J-223X	MG RESISTOR	22kΩ 1/16W J	
R882	NRSA63J-222X	MG RESISTOR	2.2kΩ 1/16W J		R7366	NRSA63J-472X	MG RESISTOR	4.7kΩ 1/16W J	
R901	QRE142J-102X	C RESISTOR	1kΩ 1/4W J		R7367	NRSA63J-223X	MG RESISTOR	22kΩ 1/16W J	
R902	NRSA63J-912X	MG RESISTOR	9.1kΩ 1/16W J		R7368	NRSA63J-223X	MG RESISTOR	22kΩ 1/16W J	
R903	NRSA63J-472X	MG RESISTOR	4.7kΩ 1/16W J		R7369	NRSA63J-223X	MG RESISTOR	22kΩ 1/16W J	
R911	NRSA63J-0R0X	MG RESISTOR	0Ω 1/16W J		R7370	NRSA63J-223X	MG RESISTOR	22kΩ 1/16W J	
R940	NRSA63J-473X	MG RESISTOR	47kΩ 1/16W J		R7371	NRSA63J-104X	MG RESISTOR	100kΩ 1/16W J	
R941	NRSA63J-473X	MG RESISTOR	47kΩ 1/16W J		R7373	NRSA63J-223X	MG RESISTOR	22kΩ 1/16W J	
R942	NRSA63J-101X	MG RESISTOR	100Ω 1/16W J		R7374	NRSA63J-223X	MG RESISTOR	22kΩ 1/16W J	
R943	NRSA63J-223X	MG RESISTOR	22kΩ 1/16W J		R9102	NRSA63J-0R0X	MG RESISTOR	0Ω 1/16W J	
R944	NRSA63J-104X	MG RESISTOR	100kΩ 1/16W J		R9103	NRSA63F-154X	MG RESISTOR	150kΩ 1/16W F	
R945	NRSA63J-103X	MG RESISTOR	10kΩ 1/16W J		R9104	NRSA63F-123X	MG RESISTOR	12kΩ 1/16W F	
R946	NRSA63J-104X	MG RESISTOR	100kΩ 1/16W J		R9105	NRSA63F-474X	MG RESISTOR	470kΩ 1/16W F	
R947	NRSA63J-331X	MG RESISTOR	330Ω 1/16W J		R9106	NRSA63J-273X	MG RESISTOR	27kΩ 1/16W J	
R948	NRSA63J-223X	MG RESISTOR	22kΩ 1/16W J		R9108	NRSA63J-0R0X	MG RESISTOR	0Ω 1/16W J	
R949	NRSA63J-101X	MG RESISTOR	100Ω 1/16W J		R9111	QRE123J-221X	C RESISTOR	220Ω 1/2W J	
R951	NRSA63J-392X	MG RESISTOR	3.9kΩ 1/16W J		R9112	QRE123J-221X	C RESISTOR	220Ω 1/2W J	
R952	NRSA63J-392X	MG RESISTOR	3.9kΩ 1/16W J		R9113	NRSA63J-332X	MG RESISTOR	3.3kΩ 1/16W J	
R953	NRSA63J-392X	MG RESISTOR	3.9kΩ 1/16W J		R9114	NRSA63J-223X	MG RESISTOR	22kΩ 1/16W J	
R954	NRSA63J-392X	MG RESISTOR	3.9kΩ 1/16W J		R9201	NRSA63J-0R0X	MG RESISTOR	0Ω 1/16W J	
R955	NRSA63J-183X	MG RESISTOR	18kΩ 1/16W J		R9202	NRSA63J-472X	MG RESISTOR	4.7kΩ 1/16W J	
R956	NRSA63J-563X	MG RESISTOR	56kΩ 1/16W J		R9304	NRSA63J-0R0X	MG RESISTOR	0Ω 1/16W J	
R959	NRSA63J-102X	MG RESISTOR	1kΩ 1/16W J		R9402	NRSA63J-332X	MG RESISTOR	3.3kΩ 1/16W J	
R961	NRSA63J-0R0X	MG RESISTOR	0Ω 1/16W J		RA701	NRZ0065-102X	NET RESISTOR	1kΩ 1/16W J	
R963	NRSA63J-0R0X	MG RESISTOR	0Ω 1/16W J						
R964	NRSA63J-0R0X	MG RESISTOR	0Ω 1/16W J		L1	NQL334J-4R7X	COIL	4.7uH J	
R969	NRSA63J-0R0X	MG RESISTOR	0Ω 1/16W J		L702	NQL79GM-100X	COIL	10uH M	
R972	NRSA63J-0R0X	MG RESISTOR	0Ω 1/16W J		L822	NQL63EM-470X	COIL	47uH M	
R973	NRSA63J-0R0X	MG RESISTOR	0Ω 1/16W J		L824	NQL79GM-220X	COIL	22uH M	
R974	NRSA63J-0R0X	MG RESISTOR	0Ω 1/16W J		L825	NQL79GM-220X	COIL	22uH M	
R976	NRSA63J-473X	MG RESISTOR	47kΩ 1/16W J		L826	NQL79GM-220X	COIL	22uH M	
R977	NRSA63J-473X	MG RESISTOR	47kΩ 1/16W J		L827	NQL79GM-220X	COIL	22uH M	
R978	NRSA63J-473X	MG RESISTOR	47kΩ 1/16W J		L828	NQL79GM-220X	COIL	22uH M	
R979	NRSA63J-0R0X	MG RESISTOR	0Ω 1/16W J		L873	NQL63EM-470X	COIL	47uH M	
R981	NRS181J-222X	MG RESISTOR	2.2kΩ 1/8W J		L901	QQR0703-001	CHOKE COIL		
R982	NRS181J-222X	MG RESISTOR	2.2kΩ 1/8W J		L961	NQL52EM-220X	COIL	22uH M	
					L9101	NQL79GM-100X	COIL	10uH M	
					L9103	NQL52EM-100X	COIL	10uH M	

△ Symbol No.	Part No.	Part Name	Description	Local	△ Symbol No.	Part No.	Part Name	Description	Local
L9104	NQL79GM-220X	COIL	22uH M		C1102	NCB31HK-471X	C CAPACITOR	470pF 50V K	
L9201	NQL79GM-220X	COIL	22uH M		C1103	NCB31HK-471X	C CAPACITOR	470pF 50V K	
L9301	NQL79GM-220X	COIL	22uH M		C1201	NCB31HK-392X	C CAPACITOR	3900pF 50V K	
L9401	NQL79GM-220X	COIL	22uH M		C1202	NCB31HK-471X	C CAPACITOR	470pF 50V K	
BZ951	QAN0023-001Z	BUZZER			C1203	NCB31HK-471X	C CAPACITOR	470pF 50V K	
CN351	QNN0775-001	PIN JACK			C2001	NCB31HK-392X	C CAPACITOR	3900pF 50V K	
CN352	QNN0774-001	PIN JACK			C2002	NDC31HJ-471X	C CAPACITOR	470pF 50V J	
CN701	QGB1004K2-24W	CONNECTOR	B-B (1-24)		C2003	NCB31HK-471X	C CAPACITOR	470pF 50V K	
CN702	QGF0522F3-45W	CONNECTOR	FFC/FPC (1-45)		C2101	NCB31HK-392X	C CAPACITOR	3900pF 50V K	
CN703	QGF0534F3-24X	CONNECTOR	FFC/FPC (1-24)		C2102	NCB31HK-471X	C CAPACITOR	470pF 50V K	
CN799	QGA1002F1-08X	CONNECTOR	W-B (1-8)		C2103	NCB31HK-471X	C CAPACITOR	470pF 50V K	
CN820	QJL012-021202-E	SIN CR B-B WIRE			C2201	NCB31HK-392X	C CAPACITOR	3900pF 50V K	
CN860	QNZ0095-001	CONNECTOR			C2202	NCB31HK-471X	C CAPACITOR	470pF 50V K	
CN901	QNZ0090-001	CAR CONNECTOR			C2203	NCB31HK-471X	C CAPACITOR	470pF 50V K	
F901	QMFZ039-150-T	FUSE	15A		C3002	NBE41AM-476X	TA E CAPACITOR	47uF 10V M	
J1	QNB0100-002	CAR ANT JACK			C3003	NCB31CK-104X	C CAPACITOR	0.1uF 16V K	
K301	NRSA63J-0R0X	MG RESISTOR	0Ω 1/16W J		C3006	NCB31CK-104X	C CAPACITOR	0.1uF 16V K	
				AVX700E, AVX706J, AVX706E, AVX706EU, AVX706EE	C3007	NBE41AM-476X	TA E CAPACITOR	47uF 10V M	
K302	NRSA63J-0R0X	MG RESISTOR	0Ω 1/16W J		C3008	NCB31CK-104X	C CAPACITOR	0.1uF 16V K	
K303	NRSA63J-0R0X	MG RESISTOR	0Ω 1/16W J		C3009	NBE41AM-476X	TA E CAPACITOR	47uF 10V M	
K304	NRSA63J-0R0X	MG RESISTOR	0Ω 1/16W J		C3010	NBE41CM-226X	TA E CAPACITOR	22uF 16V M	
K305	NQR0251-001X	FERRITE BEADS			C3011	NCB31CK-104X	C CAPACITOR	0.1uF 16V K	
K306	NQR0251-001X	FERRITE BEADS			C3101	NCB31HK-331X	C CAPACITOR	330pF 50V K	
K307	NQR0251-001X	FERRITE BEADS			C3102	NBE41AM-476X	TA E CAPACITOR	47uF 10V M	
K308	NQR0251-001X	FERRITE BEADS			C3103	NCB31CK-104X	C CAPACITOR	0.1uF 16V K	
K309	NQR0251-001X	FERRITE BEADS			C3106	NCB31CK-104X	C CAPACITOR	0.1uF 16V K	
K310	NQR0251-001X	FERRITE BEADS			C3107	NBE41AM-476X	TA E CAPACITOR	47uF 10V M	
K701	NQR0022-005X	FERRITE BEADS			C3108	NCB31CK-104X	C CAPACITOR	0.1uF 16V K	
PP701	QZW0010-001	STYLE PIN			C3109	NBE41AM-476X	TA E CAPACITOR	47uF 10V M	
TH721	NAD0028-103X	N THERMISTOR	10kΩ		C3110	NBE41CM-226X	TA E CAPACITOR	22uF 16V M	
TU1	QAU0451-002	TUNER			C3111	NCB31CK-104X	C CAPACITOR	0.1uF 16V K	
				AVX700E, AVX706E, AVX706EU, AVX706EE	C3202	NBE41AM-476X	TA E CAPACITOR	47uF 10V M	
X31	QAX0263-001Z	CRYSTAL	4.332MHz		C3203	NCB31CK-104X	C CAPACITOR	0.1uF 16V K	
X701	QAX0617-001Z	CRYSTAL	12.500MHz		C3206	NCB31CK-104X	C CAPACITOR	0.1uF 16V K	
X702	QAX0401-001	CRYSTAL	32.768KHz		C3207	NBE41AM-476X	TA E CAPACITOR	47uF 10V M	
					C3208	NCB31CK-104X	C CAPACITOR	0.1uF 16V K	
					C3209	NBE41AM-476X	TA E CAPACITOR	47uF 10V M	
					C3210	NBE41CM-226X	TA E CAPACITOR	22uF 16V M	
					C3211	NCB31CK-104X	C CAPACITOR	0.1uF 16V K	
					C3401	NCB31HK-103X	C CAPACITOR	0.01uF 50V K	
					C3505	NCB31HK-102X	C CAPACITOR	1000pF 50V K	
					C3506	NCB31HK-102X	C CAPACITOR	1000pF 50V K	
					C3507	NBE41AM-476X	TA E CAPACITOR	47uF 10V M	
					C3508	NCB31CK-104X	C CAPACITOR	0.1uF 16V K	
					C3604	NCB31HK-102X	C CAPACITOR	1000pF 50V K	
					C3605	NBE41AM-476X	TA E CAPACITOR	47uF 10V M	
					C3606	NBE41CM-226X	TA E CAPACITOR	22uF 16V M	
					C3607	NBE41CM-226X	TA E CAPACITOR	22uF 16V M	
					C3608	NBE41AM-476X	TA E CAPACITOR	47uF 10V M	

## Connection board (Except KW-AVX701UN)

Block No. [0][2]

△ Symbol No.	Part No.	Part Name	Description	Local
IC38	CPI-210-X	PHOTO COUPLER		
IC301	AK4385ET-X	IC		
IC302	NJM4565V-X	IC		
IC311	AK4385ET-X	IC		
IC312	NJM4565V-X	IC		
IC321	AK4385ET-X	IC		
IC322	NJM4565V-X	IC		
Q3401	2SC3928A/QR/-X	TRANSISTOR		
Q3402	CPT-230S-C-X	PHOTO TRANSISTOR		
Q3701	2SC3928A/QR/-X	TRANSISTOR		
Q3702	2SC3928A/QR/-X	TRANSISTOR		
Q3801	2SC3928A/QR/-X	TRANSISTOR		
D3401	MA111-X	SI DIODE		
D3501	MA111-X	SI DIODE		
D3501	or 1SS355-X	DIODE C.M		
D3701	LSQ971/KL/-X	LED		
D3702	LSQ971/KL/-X	LED		
D3703	LSQ971/KL/-X	LED		
C1001	NCB31HK-392X	C CAPACITOR	3900pF 50V K	
C1002	NDC31HJ-471X	C CAPACITOR	470pF 50V J	
C1003	NCB31HK-471X	C CAPACITOR	470pF 50V K	
C1101	NCB31HK-392X	C CAPACITOR	3900pF 50V K	
R1001	NRSA63J-472X	MG RESISTOR	4.7kΩ 1/16W J	
R1002	NRSA63J-472X	MG RESISTOR	4.7kΩ 1/16W J	
R1003	NRSA63J-223X	MG RESISTOR	22kΩ 1/16W J	
R1004	NRSA63J-472X	MG RESISTOR	4.7kΩ 1/16W J	
R1005	NRSA63J-101X	MG RESISTOR	100Ω 1/16W J	
R1006	NRSA63J-101X	MG RESISTOR	100Ω 1/16W J	
R1007	NRSA63J-472X	MG RESISTOR	4.7kΩ 1/16W J	
R1008	NRSA63J-223X	MG RESISTOR	22kΩ 1/16W J	
R1009	NRSA63J-0R0X	MG RESISTOR	0Ω 1/16W J	
R1101	NRSA63J-472X	MG RESISTOR	4.7kΩ 1/16W J	
R1102	NRSA63J-472X	MG RESISTOR	4.7kΩ 1/16W J	
R1103	NRSA63J-223X	MG RESISTOR	22kΩ 1/16W J	
R1104	NRSA63J-472X	MG RESISTOR	4.7kΩ 1/16W J	
R1105	NRSA63J-101X	MG RESISTOR	100Ω 1/16W J	
R1106	NRSA63J-101X	MG RESISTOR	100Ω 1/16W J	
R1107	NRSA63J-472X	MG RESISTOR	4.7kΩ 1/16W J	
R1108	NRSA63J-223X	MG RESISTOR	22kΩ 1/16W J	
R1109	NRSA63J-0R0X	MG RESISTOR	0Ω 1/16W J	
R1201	NRSA63J-472X	MG RESISTOR	4.7kΩ 1/16W J	
R1202	NRSA63J-472X	MG RESISTOR	4.7kΩ 1/16W J	
R1203	NRSA63J-223X	MG RESISTOR	22kΩ 1/16W J	
R1204	NRSA63J-472X	MG RESISTOR	4.7kΩ 1/16W J	
R1205	NRSA63J-101X	MG RESISTOR	100Ω 1/16W J	
R1206	NRSA63J-101X	MG RESISTOR	100Ω 1/16W J	
R1207	NRSA63J-472X	MG RESISTOR	4.7kΩ 1/16W J	
R1208	NRSA63J-223X	MG RESISTOR	22kΩ 1/16W J	
R1209	NRSA63J-0R0X	MG RESISTOR	0Ω 1/16W J	
R1601	NRSA63J-0R0X	MG RESISTOR	0Ω 1/16W J	

△ Symbol No.	Part No.	Part Name	Description	Local	△ Symbol No.	Part No.	Part Name	Description	Local
R2001	NRSA63J-472X	MG RESISTOR	4.7kΩ 1/16W J		R3710	NRSA63J-0R0X	MG RESISTOR	0Ω 1/16W J	
R2002	NRSA63J-472X	MG RESISTOR	4.7kΩ 1/16W J		R3721	NRSA63J-0R0X	MG RESISTOR	0Ω 1/16W J	
R2003	NRSA63J-223X	MG RESISTOR	22kΩ 1/16W J		R3722	NRSA63J-0R0X	MG RESISTOR	0Ω 1/16W J	
R2004	NRSA63J-472X	MG RESISTOR	4.7kΩ 1/16W J		R3723	NRSA63J-0R0X	MG RESISTOR	0Ω 1/16W J	
R2005	NRSA63J-101X	MG RESISTOR	100Ω 1/16W J		R3724	NRSA63J-0R0X	MG RESISTOR	0Ω 1/16W J	
R2006	NRSA63J-101X	MG RESISTOR	100Ω 1/16W J		R3726	NRSA63J-0R0X	MG RESISTOR	0Ω 1/16W J	
R2007	NRSA63J-472X	MG RESISTOR	4.7kΩ 1/16W J		R3802	NRSA63J-471X	MG RESISTOR	470Ω 1/16W J	
R2008	NRSA63J-223X	MG RESISTOR	22kΩ 1/16W J		R3803	NRSA63J-104X	MG RESISTOR	100kΩ 1/16W J	
R2009	NRSA63J-0R0X	MG RESISTOR	0Ω 1/16W J		R3804	NRSA63J-102X	MG RESISTOR	1kΩ 1/16W J	
R2101	NRSA63J-472X	MG RESISTOR	4.7kΩ 1/16W J		R3805	NRSA63J-222X	MG RESISTOR	2.2kΩ 1/16W J	
R2102	NRSA63J-472X	MG RESISTOR	4.7kΩ 1/16W J		R3806	NRSA63J-682X	MG RESISTOR	6.8kΩ 1/16W J	
R2103	NRSA63J-223X	MG RESISTOR	22kΩ 1/16W J		R3808	NRSA63J-333X	MG RESISTOR	33kΩ 1/16W J	
R2104	NRSA63J-472X	MG RESISTOR	4.7kΩ 1/16W J		R3809	NRSA63J-333X	MG RESISTOR	33kΩ 1/16W J	
R2105	NRSA63J-101X	MG RESISTOR	100Ω 1/16W J		R3810	NRSA63J-151X	MG RESISTOR	150Ω 1/16W J	
R2106	NRSA63J-101X	MG RESISTOR	100Ω 1/16W J						
R2107	NRSA63J-472X	MG RESISTOR	4.7kΩ 1/16W J		L3501	NQL79GM-220X	COIL	22uH M	
R2108	NRSA63J-223X	MG RESISTOR	22kΩ 1/16W J						
R2109	NRSA63J-0R0X	MG RESISTOR	0Ω 1/16W J		CN301	QGF0534F3-60X	CONNECTOR	FFC/FPC (1-60)	
R2201	NRSA63J-472X	MG RESISTOR	4.7kΩ 1/16W J		CN302	QGA1002F1-03X	CONNECTOR	W-B (1-3)	
R2202	NRSA63J-472X	MG RESISTOR	4.7kΩ 1/16W J		CN303	QGF0523F2-10W	CONNECTOR	FFC/FPC (1-10)	
R2203	NRSA63J-223X	MG RESISTOR	22kΩ 1/16W J		CN304	NNZ0104-001X	SD CARD CONNE		
R2204	NRSA63J-472X	MG RESISTOR	4.7kΩ 1/16W J		CN305	QGF0522F3-45W	CONNECTOR	FFC/FPC (1-45)	
R2205	NRSA63J-101X	MG RESISTOR	100Ω 1/16W J		CN371	QGF0522F3-40W	CONNECTOR	FFC/FPC (1-40)	
R2206	NRSA63J-101X	MG RESISTOR	100Ω 1/16W J		CN372	QGB1004J2-18X	CONNECTOR	B-B (1-18)	
R2207	NRSA63J-472X	MG RESISTOR	4.7kΩ 1/16W J		CN373	QGB1004J2-24X	CONNECTOR	B-B (1-24)	
R2208	NRSA63J-223X	MG RESISTOR	22kΩ 1/16W J		CN374	QGA1002C1-06X	CONNECTOR	W-B (1-6)	
R2209	NRSA63J-0R0X	MG RESISTOR	0Ω 1/16W J		CN375	QGF0522F3-06W	CONNECTOR	FFC/FPC (1-6)	
R2601	NRSA63J-0R0X	MG RESISTOR	0Ω 1/16W J		CN381	QGA1002C1-06X	CONNECTOR	W-B (1-6)	
R3005	NRSA63J-100X	MG RESISTOR	10Ω 1/16W J		CN382	QGA1002F1-02X	CONNECTOR	W-B (1-2)	
R3006	NRSA63J-102X	MG RESISTOR	1kΩ 1/16W J		K3002	NQR0022-005X	FERRITE BEADS		
R3007	NRSA63J-102X	MG RESISTOR	1kΩ 1/16W J		K3102	NQR0022-005X	FERRITE BEADS		
R3008	NRSA63J-102X	MG RESISTOR	1kΩ 1/16W J		K3202	NQR0022-005X	FERRITE BEADS		
R3009	NRSA63J-102X	MG RESISTOR	1kΩ 1/16W J		K3501	NQR0022-002X	FERRITE BEADS		
R3101	NRSA63J-473X	MG RESISTOR	47kΩ 1/16W J		K3502	NQR0022-002X	FERRITE BEADS		
R3105	NRSA63J-100X	MG RESISTOR	10Ω 1/16W J		K3503	NQR0022-002X	FERRITE BEADS		
R3106	NRSA63J-102X	MG RESISTOR	1kΩ 1/16W J		K3504	NQR0022-002X	FERRITE BEADS		
R3107	NRSA63J-102X	MG RESISTOR	1kΩ 1/16W J		K3507	NQR0022-002X	FERRITE BEADS		
R3108	NRSA63J-102X	MG RESISTOR	1kΩ 1/16W J		K3508	NRSA63J-0R0X	MG RESISTOR	0Ω 1/16W J	
R3109	NRSA63J-102X	MG RESISTOR	1kΩ 1/16W J		K3509	NQR0022-002X	FERRITE BEADS		
R3205	NRSA63J-100X	MG RESISTOR	10Ω 1/16W J		K3510	NQR0022-002X	FERRITE BEADS		
R3206	NRSA63J-102X	MG RESISTOR	1kΩ 1/16W J		K3511	NQR0022-002X	FERRITE BEADS		
R3207	NRSA63J-102X	MG RESISTOR	1kΩ 1/16W J		K3601	NRSA63J-0R0X	MG RESISTOR	0Ω 1/16W J	
R3208	NRSA63J-102X	MG RESISTOR	1kΩ 1/16W J		K3602	NRSA63J-0R0X	MG RESISTOR	0Ω 1/16W J	
R3209	NRSA63J-102X	MG RESISTOR	1kΩ 1/16W J		K3603	NRSA63J-0R0X	MG RESISTOR	0Ω 1/16W J	
R3401	NRSA63J-101X	MG RESISTOR	100Ω 1/16W J		K3604	NRSA63J-0R0X	MG RESISTOR	0Ω 1/16W J	
R3402	NRSA63J-103X	MG RESISTOR	10kΩ 1/16W J		K3605	NRSA63J-0R0X	MG RESISTOR	0Ω 1/16W J	
R3403	NRSA63J-683X	MG RESISTOR	68kΩ 1/16W J		K3606	NRSA63J-0R0X	MG RESISTOR	0Ω 1/16W J	
R3404	NRSA63J-333X	MG RESISTOR	33kΩ 1/16W J		K3607	NRSA63J-0R0X	MG RESISTOR	0Ω 1/16W J	
R3405	NRSA63J-333X	MG RESISTOR	33kΩ 1/16W J		K3608	NRSA63J-0R0X	MG RESISTOR	0Ω 1/16W J	
R3501	NRSA63J-473X	MG RESISTOR	47kΩ 1/16W J		K3609	NRSA63J-0R0X	MG RESISTOR	0Ω 1/16W J	
R3502	NRSA63J-473X	MG RESISTOR	47kΩ 1/16W J		K3610	NRSA63J-0R0X	MG RESISTOR	0Ω 1/16W J	
R3503	NRSA63J-473X	MG RESISTOR	47kΩ 1/16W J		K3620	NRSA63J-0R0X	MG RESISTOR	0Ω 1/16W J	
R3504	NRSA63J-473X	MG RESISTOR	47kΩ 1/16W J		K3621	NRSA63J-0R0X	MG RESISTOR	0Ω 1/16W J	
R3505	NRSA63J-473X	MG RESISTOR	47kΩ 1/16W J		K3622	NRSA63J-0R0X	MG RESISTOR	0Ω 1/16W J	
R3506	NRSA63J-181X	MG RESISTOR	180Ω 1/16W J		K3623	NRSA63J-0R0X	MG RESISTOR	0Ω 1/16W J	
R3507	NRSA63J-181X	MG RESISTOR	180Ω 1/16W J		K3624	NRSA63J-0R0X	MG RESISTOR	0Ω 1/16W J	
R3508	NRSA63J-101X	MG RESISTOR	100Ω 1/16W J		K3625	NRSA63J-0R0X	MG RESISTOR	0Ω 1/16W J	
R3509	NRSA63J-181X	MG RESISTOR	180Ω 1/16W J		K3626	NRSA63J-0R0X	MG RESISTOR	0Ω 1/16W J	
R3510	NRSA63J-181X	MG RESISTOR	180Ω 1/16W J		K3627	NRSA63J-0R0X	MG RESISTOR	0Ω 1/16W J	
R3511	NRSA63J-181X	MG RESISTOR	180Ω 1/16W J		K3628	NRSA63J-0R0X	MG RESISTOR	0Ω 1/16W J	
R3514	NRSA63J-103X	MG RESISTOR	10kΩ 1/16W J		K3629	NRSA63J-0R0X	MG RESISTOR	0Ω 1/16W J	
R3515	NRSA63J-332X	MG RESISTOR	3.3kΩ 1/16W J		K3632	NRSA63J-0R0X	MG RESISTOR	0Ω 1/16W J	
R3516	NRSA63J-562X	MG RESISTOR	5.6kΩ 1/16W J		K3633	NRSA63J-0R0X	MG RESISTOR	0Ω 1/16W J	
R3519	NRSA63J-0R0X	MG RESISTOR	0Ω 1/16W J		K3634	NRSA63J-0R0X	MG RESISTOR	0Ω 1/16W J	
R3520	NRSA63J-0R0X	MG RESISTOR	0Ω 1/16W J		K3635	NRSA63J-0R0X	MG RESISTOR	0Ω 1/16W J	
R3602	NRSA63J-100X	MG RESISTOR	10Ω 1/16W J		K3636	NRSA63J-0R0X	MG RESISTOR	0Ω 1/16W J	
R3604	NRSA63J-0R0X	MG RESISTOR	0Ω 1/16W J		K3637	NRSA63J-0R0X	MG RESISTOR	0Ω 1/16W J	
R3630	NRSA63J-221X	MG RESISTOR	220Ω 1/16W J		K3638	NRSA63J-0R0X	MG RESISTOR	0Ω 1/16W J	
R3631	NRSA63J-331X	MG RESISTOR	330Ω 1/16W J		K3639	NRSA63J-0R0X	MG RESISTOR	0Ω 1/16W J	
R3701	NRSA63J-272X	MG RESISTOR	2.7kΩ 1/16W J		K3640	NRSA63J-0R0X	MG RESISTOR	0Ω 1/16W J	
R3702	NRSA63J-272X	MG RESISTOR	2.7kΩ 1/16W J		S3701	NSW0228-001X	TACT SWITCH		
R3703	NRSA63J-272X	MG RESISTOR	2.7kΩ 1/16W J		S3801	NSW0225-001X	DETECT SWITCH		
R3704	NRSA63J-103X	MG RESISTOR	10kΩ 1/16W J		S3802	NSW0126-001X	DETECT SWITCH		
R3705	NRSA63J-332X	MG RESISTOR	3.3kΩ 1/16W J						
R3706	NRSA63J-332X	MG RESISTOR	3.3kΩ 1/16W J						
R3707	NRSA63J-332X	MG RESISTOR	3.3kΩ 1/16W J						
R3708	NRSA63J-103X	MG RESISTOR	10kΩ 1/16W J						
R3709	NRSA63J-103X	MG RESISTOR	10kΩ 1/16W J						

# Sub board (Except KW-AVX701UN)

Block No. [0][3]

△ Symbol No.	Part No.	Part Name	Description	Local
△ IC501	MN103SB9NEH	IC		
IC502	S-80824CNNB-G-W	IC		
IC503	SA16M90TFIR12F	IC(PROGRAMMED)		
△ IC601	MB87P2040PMT	IC(DIGITAL)		
IC602	NJM2871BF25-X	IC		
IC603	SN74LV4053APW-X	IC		
IC604	NJM2286V-W	IC		
IC605	NJM2871BF05-X	IV		
△ IC606	RB5P0090M	IC		
IC607	NJM2505F-X	IC		
IC608	MM1117XF-XE	IC		
IC609	MM1117XF-XE	IC		
IC610	MM1228XF-X	IC		
IC611	MM1117XF-XE	IC		
IC612	SN74AHC104PW-X	IC		
IC613	LC75344M-X	IC		
IC614	NJM4565V-X	IC		
IC615	MM1511XN-X	IC		
IC616	TC7SH32FU-X	IC		
IC616	or SN74AHC1G32DC-X IC			
Q501	2SA1530A/QR/-X	TRANSISTOR		
Q502	RT1N141C-X	DIGI TRANSISTOR		
Q503	2SC3928A/QR/-X	TRANSISTOR		
Q504	RT1P441C-X	DIGI TRANSISTOR		
Q601	2SA1530A/QR/-X	TRANSISTOR		
Q602	2SC3928A/QR/-X	TRANSISTOR		
Q603	2SA1530A/QR/-X	TRANSISTOR		
Q6621	2SC3928A/QR/-X	TRANSISTOR		
Q6622	2SC3928A/QR/-X	TRANSISTOR		
Q6623	2SA1530A/QR/-X	TRANSISTOR		
Q6624	2SA1530A/QR/-X	TRANSISTOR		
Q6625	2SA1530A/QR/-X	TRANSISTOR		
Q6626	2SD2114K/VV/-X	TRANSISTOR		
Q6627	2SD2114K/VV/-X	TRANSISTOR		
Q6628	2SC3928A/QR/-X	TRANSISTOR		
Q6629	2SC3928A/QR/-X	TRANSISTOR		
Q6630	2SA1530A/QR/-X	TRANSISTOR		
Q6631	2SA1530A/QR/-X	TRANSISTOR		
Q6801	2SD1994A/RS/-T	TRANSISTOR		
Q6802	RT1P141C-X	DIGI TRANSISTOR		
Q6803	RT1N141C-X	DIGI TRANSISTOR		
Q6804	RT1N141C-X	DIGI TRANSISTOR		
D501	MA111-X	SI DIODE		
D501	or 1SS355-X	DIODE C.M		
D502	RB521S-30-X	SB DIODE		
D6112	MA111-X	SI DIODE		
D6113	MA111-X	SI DIODE		
D6601	MA111-X	SI DIODE		
D6601	or 1SS355-X	DIODE C.M		
D6602	MA111-X	SI DIODE		
D6602	or 1SS355-X	DIODE C.M		
D6603	CRS03-W	SB DIODE		
D6604	CRS03-W	SB DIODE		
D6605	MA8062/M/-X	Z DIODE		
D6605	or UDZW6.2B-X	Z DIODE		
D6606	MA8062/M/-X	Z DIODE		
D6606	or UDZW6.2B-X	Z DIODE		
D6607	MA8062/M/-X	Z DIODE		AVX700E, AVX706J, AVX706E, AVX706EU, AVX706EE
D6607	or UDZW6.2B-X	Z DIODE		AVX700E, AVX706J, AVX706E, AVX706EU, AVX706EE
D6608	CRS03-W	SB DIODE		
D6609	CRS03-W	SB DIODE		
D6610	CL-201IR-X-X	LED		
D6611	MC2836-X	DIODE		
D6801	MA8120/M/-X	Z DIODE		
D6801	or UDZW12B-X	Z DIODE		

△ Symbol No.	Part No.	Part Name	Description	Local
D6802	CRS03-W	SB DIODE		
C501	NCB31HK-103X	C CAPACITOR	0.01uF 50V K	
C502	NCB31HK-103X	C CAPACITOR	0.01uF 50V K	
C503	NCB31HK-103X	C CAPACITOR	0.01uF 50V K	
C505	NCB31HK-103X	C CAPACITOR	0.01uF 50V K	
C506	NCB31HK-103X	C CAPACITOR	0.01uF 50V K	
C507	NCB31CK-105X	C CAPACITOR	1uF 16V K	
C508	NCB31HK-103X	C CAPACITOR	0.01uF 50V K	
C509	NCB31HK-103X	C CAPACITOR	0.01uF 50V K	
C510	NCB31HK-103X	C CAPACITOR	0.01uF 50V K	
C511	NDC31HJ-471X	C CAPACITOR	470pF 50V J	
C512	NCB31CK-473X	C CAPACITOR	0.047uF 16V K	
C513	QERF1CM-106Z	E CAPACITOR	10uF 16V M	
C514	QERF1EM-475Z	E CAPACITOR	4.7uF 25V M	
C515	NCB31CK-473X	C CAPACITOR	0.047uF 16V K	
C516	NDC31HJ-471X	C CAPACITOR	470pF 50V J	
C517	NCB31CK-473X	C CAPACITOR	0.047uF 16V K	
C518	QERF1CM-106Z	E CAPACITOR	10uF 16V M	
C519	NCB31HK-103X	C CAPACITOR	0.01uF 50V K	
C520	NCB31HK-103X	C CAPACITOR	0.01uF 50V K	
C521	NCJ11EK-106X-R	C CAPACITOR	10uF 25V	
C522	NCJ11EK-106X-R	C CAPACITOR	10uF 25V	
C601	NCB21AK-225X	C CAPACITOR	2.2uF 10V K	
C602	NCB31CK-473X	C CAPACITOR	0.047uF 16V K	
C603	NCB31CK-473X	C CAPACITOR	0.047uF 16V K	
C604	NCB21AK-225X	C CAPACITOR	2.2uF 10V K	
C605	QERF1CM-226Z	E CAPACITOR	22uF 16V M	
C606	NCB21AK-225X	C CAPACITOR	2.2uF 10V K	
C607	NCB31CK-104X	C CAPACITOR	0.1uF 16V K	
C608	NCB31HK-103X	C CAPACITOR	0.01uF 50V K	
C609	NCB31HK-103X	C CAPACITOR	0.01uF 50V K	
C611	NDC31HJ-180X	C CAPACITOR	18pF 50V J	
C612	NDC31HJ-180X	C CAPACITOR	18pF 50V J	
C613	NCB31HK-103X	C CAPACITOR	0.01uF 50V K	
C614	NCB31HK-103X	C CAPACITOR	0.01uF 50V K	
C615	NDC31HJ-101X	C CAPACITOR	100pF 50V J	
C616	QERF1CM-106Z	E CAPACITOR	10uF 16V M	
C617	NCB31HK-103X	C CAPACITOR	0.01uF 50V K	
C618	NCB31HK-103X	C CAPACITOR	0.01uF 50V K	
C619	NCB31HK-103X	C CAPACITOR	0.01uF 50V K	
C620	NCB31HK-103X	C CAPACITOR	0.01uF 50V K	
C621	NCB31HK-103X	C CAPACITOR	0.01uF 50V K	
C622	NCB31HK-103X	C CAPACITOR	0.01uF 50V K	
C623	QERF1CM-106Z	E CAPACITOR	10uF 16V M	
C624	NCB31HK-103X	C CAPACITOR	0.01uF 50V K	
C625	NCB31HK-103X	C CAPACITOR	0.01uF 50V K	
C626	QERF1CM-106Z	E CAPACITOR	10uF 16V M	
C627	NCB31CK-104X	C CAPACITOR	0.1uF 16V K	
C628	NCB31CK-104X	C CAPACITOR	0.1uF 16V K	
C629	NCB31CK-104X	C CAPACITOR	0.1uF 16V K	
C630	NCB31HK-103X	C CAPACITOR	0.01uF 50V K	
C631	NCB31HK-103X	C CAPACITOR	0.01uF 50V K	
C632	NCB31HK-103X	C CAPACITOR	0.01uF 50V K	
C633	NCB31HK-103X	C CAPACITOR	0.01uF 50V K	
C634	NCB31HK-103X	C CAPACITOR	0.01uF 50V K	
C636	NCB31CK-104X	C CAPACITOR	0.1uF 16V K	
C637	NCB31HK-103X	C CAPACITOR	0.01uF 50V K	
C638	NCB31CK-104X	C CAPACITOR	0.1uF 16V K	
C639	NCB31HK-103X	C CAPACITOR	0.01uF 50V K	
C640	QERF1CM-106Z	E CAPACITOR	10uF 16V M	
C641	NCB31HK-103X	C CAPACITOR	0.01uF 50V K	
C642	NCB31HK-103X	C CAPACITOR	0.01uF 50V K	
C643	QERF1CM-226Z	E CAPACITOR	22uF 16V M	
C644	NCB31HK-103X	C CAPACITOR	0.01uF 50V K	
C645	NCB31HK-103X	C CAPACITOR	0.01uF 50V K	
C646	NCB31HK-103X	C CAPACITOR	0.01uF 50V K	
C647	NCB31HK-103X	C CAPACITOR	0.01uF 50V K	
C648	NCB31HK-103X	C CAPACITOR	0.01uF 50V K	
C649	NCB31HK-102X	C CAPACITOR	1000pF 50V K	
C6101	NBE41AM-476X	TA E CAPACITOR	47uF 10V M	
C6102	QERF1EM-475Z	E CAPACITOR	4.7uF 25V M	
C6103	NDC31HJ-221X	C CAPACITOR	220pF 50V J	
C6104	NDC31HJ-101X	C CAPACITOR	100pF 50V J	
C6105	NDC31HJ-151X	C CAPACITOR	150pF 50V J	
C6106	QERF1EM-475Z	E CAPACITOR	4.7uF 25V M	
C6109	QERF1EM-475Z	E CAPACITOR	4.7uF 25V M	
C6201	NBE41AM-476X	TA E CAPACITOR	47uF 10V M	

△ Symbol No.	Part No.	Part Name	Description	Local	△ Symbol No.	Part No.	Part Name	Description	Local
C6202	QERF1EM-475Z	E CAPACITOR	4.7uF 25V M		C6697	NCB31CK-223X	C CAPACITOR	0.022uF 16V K	
C6203	NDC31HJ-221X	C CAPACITOR	220pF 50V J		C6698	NCB31HK-473X	C CAPACITOR	0.047uF 50V K	
C6204	NDC31HJ-101X	C CAPACITOR	100pF 50V J		C6699	NDC31HJ-101X	C CAPACITOR	100pF 50V J	
C6205	NDC31HJ-151X	C CAPACITOR	150pF 50V J		C6700	NCB31CK-473X	C CAPACITOR	0.047uF 16V K	
C6206	QERF1EM-475Z	E CAPACITOR	4.7uF 25V M		C6701	QERF0JM-337Z	E CAPACITOR	330uF 6.3V M	
C6209	QERF1EM-475Z	E CAPACITOR	4.7uF 25V M		C6702	NDC31HJ-101X	C CAPACITOR	100pF 50V J	
C6301	NBE21AM-226X	TA E CAPACITOR	22uF 10V M		C6703	NDC31HJ-101X	C CAPACITOR	100pF 50V J	
C6302	NCB31CK-104X	C CAPACITOR	0.1uF 16V K		C6704	NCB31HK-103X	C CAPACITOR	0.01uF 50V K	
C6303	NBE41AM-476X	TA E CAPACITOR	47uF 10V M		C6705	NCS31HJ-561X	C CAPACITOR	560pF 50V J	
C6304	NCB31CK-104X	C CAPACITOR	0.1uF 16V K		C6706	NCB31HK-103X	C CAPACITOR	0.01uF 50V K	
C6305	NBE41AM-476X	TA E CAPACITOR	47uF 10V M		C6707	NCS21CK-105X	C CAPACITOR	1uF 16V K	
C6601	NCB31HK-103X	C CAPACITOR	0.01uF 50V K		C6709	QERF1AM-107Z	E CAPACITOR	100uF 10V M	
C6603	NCB31HK-103X	C CAPACITOR	0.01uF 50V K		C6710	NCB31CK-104X	C CAPACITOR	0.1uF 16V K	
C6604	NCB31CK-105X	C CAPACITOR	1uF 16V K		C6711	NCB31HK-103X	C CAPACITOR	0.01uF 50V K	
C6605	NCB31HK-103X	C CAPACITOR	0.01uF 50V K		C6712	NCB31CK-104X	C CAPACITOR	0.1uF 16V K	
C6606	QERF1CM-226Z	E CAPACITOR	22uF 16V M		C6801	QERF1CM-106Z	E CAPACITOR	10uF 16V M	
C6607	NCB31CK-105X	C CAPACITOR	1uF 16V K		C6802	QERF1CM-106Z	E CAPACITOR	10uF 16V M	
C6612	NCB31HK-103X	C CAPACITOR	0.01uF 50V K		C6803	NCB31HK-103X	C CAPACITOR	0.01uF 50V K	
C6621	NDC31HJ-471X	C CAPACITOR	470pF 50V J		C6804	QERF1HM-105Z	E CAPACITOR	1uF 50V M	
C6622	NDC31HJ-221X	C CAPACITOR	220pF 50V J		C6805	QERF1HM-105Z	E CAPACITOR	1uF 50V M	
C6623	NCB31HK-102X	C CAPACITOR	1000pF 50V K		C6806	QERF1HM-105Z	E CAPACITOR	1uF 50V M	
C6624	NCB31HK-103X	C CAPACITOR	0.01uF 50V K		C6807	QERF1EM-475Z	E CAPACITOR	4.7uF 25V M	
C6625	QERF1CM-476Z	E CAPACITOR	47uF 16V M		C6808	QERF1EM-475Z	E CAPACITOR	4.7uF 25V M	
C6626	QERF1CM-476Z	E CAPACITOR	47uF 16V M		C6809	QERF1CM-106Z	E CAPACITOR	10uF 16V M	
C6627	NCB31HK-103X	C CAPACITOR	0.01uF 50V K		C6810	NCB31CK-104X	C CAPACITOR	0.1uF 16V K	
C6628	NCB21CK-105X	C CAPACITOR	1uF 16V K		C6811	NCB31CK-104X	C CAPACITOR	0.1uF 16V K	
C6629	QERF1CM-226Z	E CAPACITOR	22uF 16V M		C6812	NCB31CK-104X	C CAPACITOR	0.1uF 16V K	
C6630	NCB31HK-103X	C CAPACITOR	0.01uF 50V K		C6813	NCB31CK-104X	C CAPACITOR	0.1uF 16V K	
C6631	NCB31CK-224X	C CAPACITOR	0.22uF 16V K		C6814	NCB31CK-104X	C CAPACITOR	0.1uF 16V K	
C6632	NDC31HJ-561X	C CAPACITOR	560pF 50V J						
C6633	QERF1CM-106Z	E CAPACITOR	10uF 16V M		R501	NRSA63J-102X	MG RESISTOR	1kΩ 1/16W J	
C6634	NCB31HK-682X	C CAPACITOR	6800pF 50V K		R502	NRSA63J-102X	MG RESISTOR	1kΩ 1/16W J	
C6635	NCB21CK-105X	C CAPACITOR	1uF 16V K		R503	NRSA63J-0R0X	MG RESISTOR	0Ω 1/16W J	
C6636	NCB31CK-104X	C CAPACITOR	0.1uF 16V K		R504	NRSA63J-102X	MG RESISTOR	1kΩ 1/16W J	
C6637	QERF1CM-107Z	E CAPACITOR	100uF 16V M		R505	NRSA63J-102X	MG RESISTOR	1kΩ 1/16W J	
C6638	NCB31CK-104X	C CAPACITOR	0.1uF 16V K		R506	NRSA63J-471X	MG RESISTOR	470Ω 1/16W J	
C6639	NDC31HJ-2R0X	C CAPACITOR	2pF 50V J		R507	NRSA63J-471X	MG RESISTOR	470Ω 1/16W J	
C6640	NDC31HJ-3R0X	C CAPACITOR	3pF 50V J		R508	NRSA63J-101X	MG RESISTOR	100Ω 1/16W J	
C6641	NDC21HJ-103X	C CAPACITOR	0.01uF 50V J		R509	NRSA63J-102X	MG RESISTOR	1kΩ 1/16W J	
C6642	NCB31HK-103X	C CAPACITOR	0.01uF 50V K		R510	NRSA63J-102X	MG RESISTOR	1kΩ 1/16W J	
C6643	NCB21CK-474X	C CAPACITOR	0.47uF 16V K		R511	NRSA63J-102X	MG RESISTOR	1kΩ 1/16W J	
C6653	NDC31HJ-680X	C CAPACITOR	68pF 50V J		R512	NRSA63J-102X	MG RESISTOR	1kΩ 1/16W J	
C6654	NDC31HJ-680X	C CAPACITOR	68pF 50V J		R513	NRSA63J-102X	MG RESISTOR	1kΩ 1/16W J	
C6655	NDC31HJ-680X	C CAPACITOR	68pF 50V J		R514	NRSA63J-102X	MG RESISTOR	1kΩ 1/16W J	
C6656	NCB20JK-475X	C CAPACITOR	4.7uF 6.3V K		R515	NRSA63J-102X	MG RESISTOR	1kΩ 1/16W J	
C6657	NCB20JK-475X	C CAPACITOR	4.7uF 6.3V K		R516	NRSA63J-102X	MG RESISTOR	1kΩ 1/16W J	
C6658	NCB20JK-475X	C CAPACITOR	4.7uF 6.3V K		R517	NRSA63J-102X	MG RESISTOR	1kΩ 1/16W J	
C6659	NCB21CK-105X	C CAPACITOR	1uF 16V K		R518	NRSA63J-102X	MG RESISTOR	1kΩ 1/16W J	
C6660	QERF1CM-226Z	E CAPACITOR	22uF 16V M		R519	NRSA63J-102X	MG RESISTOR	1kΩ 1/16W J	
C6661	QERF1CM-106Z	E CAPACITOR	10uF 16V M		R521	NRSA63J-471X	MG RESISTOR	470Ω 1/16W J	
C6662	QERF1CM-106Z	E CAPACITOR	10uF 16V M		R522	NRSA63J-471X	MG RESISTOR	470Ω 1/16W J	
C6664	NCB31CK-473X	C CAPACITOR	0.047uF 16V K		R523	NRSA63J-471X	MG RESISTOR	470Ω 1/16W J	
C6665	QERF1CM-476Z	E CAPACITOR	47uF 16V M		R524	NRSA63J-471X	MG RESISTOR	470Ω 1/16W J	
C6666	QERF1AM-227Z	E CAPACITOR	220uF 10V M		R525	NRSA63J-471X	MG RESISTOR	470Ω 1/16W J	
C6667	NCB31CK-473X	C CAPACITOR	0.047uF 16V K		R526	NRSA63J-0R0X	MG RESISTOR	0Ω 1/16W J	
C6669	QERF1CM-106Z	E CAPACITOR	10uF 16V M		R527	NRSA63J-471X	MG RESISTOR	470Ω 1/16W J	
C6670	QERF1CM-106Z	E CAPACITOR	10uF 16V M		R528	NRSA63J-471X	MG RESISTOR	470Ω 1/16W J	
C6671	QERF1CM-106Z	E CAPACITOR	10uF 16V M		R529	NRSA63J-471X	MG RESISTOR	470Ω 1/16W J	
C6672	QERF1CM-106Z	E CAPACITOR	10uF 16V M		R530	NRSA63J-471X	MG RESISTOR	470Ω 1/16W J	
C6673	QERF1AM-227Z	E CAPACITOR	220uF 10V M		R531	NRSA63J-101X	MG RESISTOR	100Ω 1/16W J	
C6674	NCB31CK-473X	C CAPACITOR	0.047uF 16V K		R532	NRSA63J-471X	MG RESISTOR	470Ω 1/16W J	
C6677	QERF1AM-227Z	E CAPACITOR	220uF 10V M		R533	NRSA63J-471X	MG RESISTOR	470Ω 1/16W J	
C6678	NCB20JK-475X	C CAPACITOR	4.7uF 6.3V K		R534	NRSA63J-102X	MG RESISTOR	1kΩ 1/16W J	
C6679	QERF0JM-337Z	E CAPACITOR	330uF 6.3V M		R536	NRSA63J-102X	MG RESISTOR	1kΩ 1/16W J	
C6681	QERF1AM-227Z	E CAPACITOR	220uF 10V M		R537	NRSA63J-101X	MG RESISTOR	100Ω 1/16W J	
C6682	NCB31CK-473X	C CAPACITOR	0.047uF 16V K		R538	NRSA63J-101X	MG RESISTOR	100Ω 1/16W J	
C6684	NCB20JK-475X	C CAPACITOR	4.7uF 6.3V K		R539	NRSA63J-101X	MG RESISTOR	100Ω 1/16W J	
C6686	NCB31HK-102X	C CAPACITOR	1000pF 50V K		R540	NRSA63J-101X	MG RESISTOR	100Ω 1/16W J	
C6687	NDC31HJ-101X	C CAPACITOR	100pF 50V J		R543	NRSA63J-271X	MG RESISTOR	270Ω 1/16W J	
C6688	NDC31HJ-101X	C CAPACITOR	100pF 50V J		R544	NRSA63J-271X	MG RESISTOR	270Ω 1/16W J	
C6689	NDC31HJ-101X	C CAPACITOR	100pF 50V J		R545	NRSA63J-103X	MG RESISTOR	10kΩ 1/16W J	
C6690	NDC31HJ-100X	C CAPACITOR	10pF 50V J		R546	NRSA63J-103X	MG RESISTOR	10kΩ 1/16W J	
C6691	NDC31HJ-100X	C CAPACITOR	10pF 50V J		R547	NRSA63J-474X	MG RESISTOR	470kΩ 1/16W J	
C6692	NCB31CK-104X	C CAPACITOR	0.1uF 16V K		R548	NRSA63J-473X	MG RESISTOR	47kΩ 1/16W J	
C6693	NDC31HJ-101X	C CAPACITOR	100pF 50V J		R549	NRSA63J-222X	MG RESISTOR	2.2kΩ 1/16W J	
C6694	NDC31HJ-101X	C CAPACITOR	100pF 50V J		R550	NRSA63J-473X	MG RESISTOR	47kΩ 1/16W J	
C6695	NDC31HJ-101X	C CAPACITOR	100pF 50V J		R551	NRSA63J-0R0X	MG RESISTOR	0Ω 1/16W J	
C6696	NDC31HJ-101X	C CAPACITOR	100pF 50V J		R552	NRSA63J-474X	MG RESISTOR	470kΩ 1/16W J	



△ Symbol No.	Part No.	Part Name	Description	Local	△ Symbol No.	Part No.	Part Name	Description	Local
R553	NRSA63J-473X	MG RESISTOR	47kΩ 1/16W J		R6635	NRSA63F-183X	MG RESISTOR	18kΩ 1/16W F	
R556	NRSA63J-103X	MG RESISTOR	10kΩ 1/16W J		R6637	NRSA63J-0R0X	MG RESISTOR	0Ω 1/16W J	
R558	NRSA63J-0R0X	MG RESISTOR	0Ω 1/16W J		R6638	NRSA63J-331X	MG RESISTOR	330Ω 1/16W J	
R559	NRSA63J-102X	MG RESISTOR	1kΩ 1/16W J		R6639	NRSA63J-102X	MG RESISTOR	1kΩ 1/16W J	
R560	NRSA63J-102X	MG RESISTOR	1kΩ 1/16W J		R6641	NRSA63J-105X	MG RESISTOR	1MΩ 1/16W J	
R561	NRSA63J-471X	MG RESISTOR	470Ω 1/16W J		R6642	NRSA63J-681X	MG RESISTOR	680Ω 1/16W J	
R562	NRSA63J-103X	MG RESISTOR	10kΩ 1/16W J		R6643	NRSA63J-222X	MG RESISTOR	2.2kΩ 1/16W J	
R563	NRSA63J-102X	MG RESISTOR	1kΩ 1/16W J		R6645	NRSA63J-102X	MG RESISTOR	1kΩ 1/16W J	
R564	NRSA63J-102X	MG RESISTOR	1kΩ 1/16W J		R6646	NRSA63J-102X	MG RESISTOR	1kΩ 1/16W J	
R565	NRSA63J-471X	MG RESISTOR	470Ω 1/16W J		R6647	NRSA63J-102X	MG RESISTOR	1kΩ 1/16W J	
R566	NRSA63J-223X	MG RESISTOR	22kΩ 1/16W J		R6648	NRSA63J-822X	MG RESISTOR	8.2kΩ 1/16W J	
R567	NRSA63J-223X	MG RESISTOR	22kΩ 1/16W J		R6649	NRSA63J-562X	MG RESISTOR	5.6kΩ 1/16W J	
R568	NRSA63J-473X	MG RESISTOR	47kΩ 1/16W J		R6650	NRSA63J-122X	MG RESISTOR	1.2kΩ 1/16W J	
R569	NRSA63J-0R0X	MG RESISTOR	0Ω 1/16W J		R6651	NRSA63J-122X	MG RESISTOR	1.2kΩ 1/16W J	
R570	NRSA63J-0R0X	MG RESISTOR	0Ω 1/16W J		R6652	NRSA63J-122X	MG RESISTOR	1.2kΩ 1/16W J	
R571	NRSA63J-563X	MG RESISTOR	56kΩ 1/16W J		R6653	NRSA63J-472X	MG RESISTOR	4.7kΩ 1/16W J	
R601	NRSA63J-121X	MG RESISTOR	120Ω 1/16W J		R6654	NRSA63J-472X	MG RESISTOR	4.7kΩ 1/16W J	
R602	NRSA63J-121X	MG RESISTOR	120Ω 1/16W J		R6655	NRSA63J-472X	MG RESISTOR	4.7kΩ 1/16W J	
R603	NRSA63J-121X	MG RESISTOR	120Ω 1/16W J		R6656	NRSA63J-105X	MG RESISTOR	1MΩ 1/16W J	
R604	NRSA63J-220X	MG RESISTOR	22Ω 1/16W J		R6657	NRSA63J-821X	MG RESISTOR	820Ω 1/16W J	
R605	NRSA63J-220X	MG RESISTOR	22Ω 1/16W J		R6660	NRSA63J-471X	MG RESISTOR	470Ω 1/16W J	
R606	NRSA63J-272X	MG RESISTOR	2.7kΩ 1/16W J		R6661	NRSA63J-750X	MG RESISTOR	75Ω 1/16W J	
R607	NRSA63J-220X	MG RESISTOR	22Ω 1/16W J		R6662	NRSA63J-471X	MG RESISTOR	470Ω 1/16W J	
R608	NRSA63J-471X	MG RESISTOR	470Ω 1/16W J		R6663	NRSA63J-100X	MG RESISTOR	10Ω 1/16W J	
R610	NRSA63J-0R0X	MG RESISTOR	0Ω 1/16W J		R6665	NRSA63J-750X	MG RESISTOR	75Ω 1/16W J	
R612	NRSA63J-0R0X	MG RESISTOR	0Ω 1/16W J		R6667	NRSA63J-0R0X	MG RESISTOR	0Ω 1/16W J	
R613	NRSA63J-0R0X	MG RESISTOR	0Ω 1/16W J		R6669	NRSA63J-0R0X	MG RESISTOR	0Ω 1/16W J	
R614	NRSA63J-0R0X	MG RESISTOR	0Ω 1/16W J		R6670	NRSA63J-100X	MG RESISTOR	10Ω 1/16W J	
R615	NRSA63J-0R0X	MG RESISTOR	0Ω 1/16W J		R6671	NRSA63J-0R0X	MG RESISTOR	0Ω 1/16W J	
R616	NRSA63J-103X	MG RESISTOR	10kΩ 1/16W J		R6675	NRSA63J-0R0X	MG RESISTOR	0Ω 1/16W J	
R617	NRSA63J-103X	MG RESISTOR	10kΩ 1/16W J		R6676	NRSA63J-100X	MG RESISTOR	10Ω 1/16W J	
R618	NRSA63J-103X	MG RESISTOR	10kΩ 1/16W J		R6677	NRSA63J-0R0X	MG RESISTOR	0Ω 1/16W J	
R619	NRSA63J-103X	MG RESISTOR	10kΩ 1/16W J		R6681	NRSA63J-0R0X	MG RESISTOR	0Ω 1/16W J	
R620	NRSA63J-103X	MG RESISTOR	10kΩ 1/16W J		R6683	NRSA63J-100X	MG RESISTOR	10Ω 1/16W J	
R622	NRSA63J-103X	MG RESISTOR	10kΩ 1/16W J		R6684	NRSA63J-102X	MG RESISTOR	1kΩ 1/16W J	
R623	NRSA63J-103X	MG RESISTOR	10kΩ 1/16W J		R6685	NRSA63J-750X	MG RESISTOR	75Ω 1/16W J	
R627	NRSA63J-102X	MG RESISTOR	1kΩ 1/16W J		R6686	NRSA63J-102X	MG RESISTOR	1kΩ 1/16W J	
R628	NRSA63J-0R0X	MG RESISTOR	0Ω 1/16W J		R6688	NRSA63J-100X	MG RESISTOR	10Ω 1/16W J	
R630	NRSA63J-103X	MG RESISTOR	10kΩ 1/16W J		R6689	NRSA63J-0R0X	MG RESISTOR	0Ω 1/16W J	
R631	NRSA63J-103X	MG RESISTOR	10kΩ 1/16W J		R6692	NRSA63J-0R0X	MG RESISTOR	0Ω 1/16W J	
R632	NRSA63J-473X	MG RESISTOR	47kΩ 1/16W J		R6693	NRSA63J-0R0X	MG RESISTOR	0Ω 1/16W J	
R633	NRSA63J-473X	MG RESISTOR	47kΩ 1/16W J		R6695	NRSA63J-390X	MG RESISTOR	39Ω 1/16W J	
R634	NRSA63J-103X	MG RESISTOR	10kΩ 1/16W J		R6696	NRSA63J-101X	MG RESISTOR	100Ω 1/16W J	
R635	NRSA63J-102X	MG RESISTOR	1kΩ 1/16W J		R6697	NRSA63J-101X	MG RESISTOR	100Ω 1/16W J	
R636	NRSA63J-103X	MG RESISTOR	10kΩ 1/16W J		R6698	NRSA63D-181X	MG RESISTOR	180Ω 1/16W D	
R637	NRSA63J-223X	MG RESISTOR	22kΩ 1/16W J		R6699	NRSA63J-333X	MG RESISTOR	33kΩ 1/16W J	
R639	NRSA63J-102X	MG RESISTOR	1kΩ 1/16W J		R6701	NRSA63J-0R0X	MG RESISTOR	0Ω 1/16W J	
R6101	NRSA63J-223X	MG RESISTOR	22kΩ 1/16W J		R6702	NRSA63J-473X	MG RESISTOR	47kΩ 1/16W J	
R6102	NRSA63J-223X	MG RESISTOR	22kΩ 1/16W J		R6703	NRSA63J-473X	MG RESISTOR	47kΩ 1/16W J	
R6103	NRSA63J-104X	MG RESISTOR	100kΩ 1/16W J		R6704	NRSA63J-0R0X	MG RESISTOR	0Ω 1/16W J	
R6104	NRSA63J-472X	MG RESISTOR	4.7kΩ 1/16W J		R6705	NRSA63J-103X	MG RESISTOR	10kΩ 1/16W J	
R6105	NRSA63J-183X	MG RESISTOR	18kΩ 1/16W J						
R6106	NRSA63J-183X	MG RESISTOR	18kΩ 1/16W J						AVX700E,
R6107	NRSA63J-473X	MG RESISTOR	47kΩ 1/16W J		R6706	NRSA63J-271X	MG RESISTOR	270Ω 1/16W J	AVX706J,
R6201	NRSA63J-223X	MG RESISTOR	22kΩ 1/16W J						AVX706E,
R6202	NRSA63J-223X	MG RESISTOR	22kΩ 1/16W J						AVX706EU,
R6203	NRSA63J-104X	MG RESISTOR	100kΩ 1/16W J						AVX706EE
R6204	NRSA63J-472X	MG RESISTOR	4.7kΩ 1/16W J		R6707	NRSA63J-0R0X	MG RESISTOR	0Ω 1/16W J	
R6205	NRSA63J-183X	MG RESISTOR	18kΩ 1/16W J		R6708	NRSA63J-471X	MG RESISTOR	470Ω 1/16W J	
R6206	NRSA63J-183X	MG RESISTOR	18kΩ 1/16W J		R6710	NRSA63J-0R0X	MG RESISTOR	0Ω 1/16W J	
R6207	NRSA63J-473X	MG RESISTOR	47kΩ 1/16W J		R6712	NRSA63J-332X	MG RESISTOR	3.3kΩ 1/16W J	
R6302	NRSA63J-100X	MG RESISTOR	10Ω 1/16W J		R6713	NRSA63J-332X	MG RESISTOR	3.3kΩ 1/16W J	
R6303	NRSA63J-100X	MG RESISTOR	10Ω 1/16W J		R6714	NRSA63J-332X	MG RESISTOR	3.3kΩ 1/16W J	
R6601	NRSA63J-0R0X	MG RESISTOR	0Ω 1/16W J		R6716	NRSA63J-102X	MG RESISTOR	1kΩ 1/16W J	
R6607	NRSA63J-0R0X	MG RESISTOR	0Ω 1/16W J		R6717	NRSA63J-101X	MG RESISTOR	100Ω 1/16W J	
R6621	NRSA63J-104X	MG RESISTOR	100kΩ 1/16W J		R6718	NRSA63J-222X	MG RESISTOR	2.2kΩ 1/16W J	
R6622	NRSA63J-334X	MG RESISTOR	330kΩ 1/16W J		R6719	NRSA63J-102X	MG RESISTOR	1kΩ 1/16W J	
R6623	NRSA63J-184X	MG RESISTOR	180kΩ 1/16W J		R6720	NRSA63J-101X	MG RESISTOR	100Ω 1/16W J	
R6624	NRSA63J-104X	MG RESISTOR	100kΩ 1/16W J		R6721	NRSA63J-222X	MG RESISTOR	2.2kΩ 1/16W J	
R6626	NRSA63J-472X	MG RESISTOR	4.7kΩ 1/16W J		R6723	NRSA63J-0R0X	MG RESISTOR	0Ω 1/16W J	
R6627	NRSA63J-103X	MG RESISTOR	10kΩ 1/16W J		R6724	NRSA63J-105X	MG RESISTOR	1MΩ 1/16W J	
R6628	NRSA63J-103X	MG RESISTOR	10kΩ 1/16W J		R6725	NRSA63J-0R0X	MG RESISTOR	0Ω 1/16W J	
R6629	NRSA63J-103X	MG RESISTOR	10kΩ 1/16W J		R6726	NRSA63J-105X	MG RESISTOR	1MΩ 1/16W J	
R6630	NRSA63J-0R0X	MG RESISTOR	0Ω 1/16W J		R6727	NRSA63J-102X	MG RESISTOR	1kΩ 1/16W J	
R6631	NRSA63J-0R0X	MG RESISTOR	0Ω 1/16W J		R6728	NRSA63J-153X	MG RESISTOR	15kΩ 1/16W J	
R6632	NRSA63J-561X	MG RESISTOR	560Ω 1/16W J		R6730	NRSA63J-272X	MG RESISTOR	2.7kΩ 1/16W J	
R6633	NRSA63J-102X	MG RESISTOR	1kΩ 1/16W J		R6731	NRSA63J-221X	MG RESISTOR	220Ω 1/16W J	
R6634	NRSA63J-271X	MG RESISTOR	270Ω 1/16W J		R6732	NRSA63J-122X	MG RESISTOR	1.2kΩ 1/16W J	
					R6734	NRSA63J-102X	MG RESISTOR	1kΩ 1/16W J	
					R6735	NRSA63J-102X	MG RESISTOR	1kΩ 1/16W J	

Symbol No.	Part No.	Part Name	Description	Local
R6736	NRSA63J-0R0X	MG RESISTOR	0Ω 1/16W J	
R6739	NRSA63J-222X	MG RESISTOR	2.2kΩ 1/16W J	
R6742	NRSA63J-472X	MG RESISTOR	4.7kΩ 1/16W J	
R6743	NRSA63J-104X	MG RESISTOR	100kΩ 1/16W J	
R6744	NRSA63J-104X	MG RESISTOR	100kΩ 1/16W J	
R6747	NRSA63J-472X	MG RESISTOR	4.7kΩ 1/16W J	
R6801	NRSA63J-220X	MG RESISTOR	22Ω 1/16W J	
R6802	NRSA63J-220X	MG RESISTOR	22Ω 1/16W J	
R6803	NRSA63J-471X	MG RESISTOR	470Ω 1/16W J	
R6804	NRSA63J-473X	MG RESISTOR	47kΩ 1/16W J	
R6805	NRSA63J-473X	MG RESISTOR	47kΩ 1/16W J	
R6806	NRSA63J-103X	MG RESISTOR	10kΩ 1/16W J	
R6807	NRSA63J-0R0X	MG RESISTOR	0Ω 1/16W J	
R6808	NRSA63J-470X	MG RESISTOR	47Ω 1/16W J	
R6809	NRSA63J-222X	MG RESISTOR	2.2kΩ 1/16W J	
R6810	NRSA63J-222X	MG RESISTOR	2.2kΩ 1/16W J	
R6811	NRSA63J-472X	MG RESISTOR	4.7kΩ 1/16W J	
RA501	NRZ0065-471X	NET RESISTOR	470Ω	
RA502	NRZ0065-471X	NET RESISTOR	470Ω	
RA503	NRZ0065-471X	NET RESISTOR	470Ω	
RA504	NRZ0065-471X	NET RESISTOR	470Ω	
RA505	NRZ0065-471X	NET RESISTOR	470Ω	
RA506	NRZ0065-471X	NET RESISTOR	470Ω	
RA507	NRZ0065-471X	NET RESISTOR	470Ω	
RA508	NRZ0065-471X	NET RESISTOR	470Ω	
RA509	NRZ0065-471X	NET RESISTOR	470Ω	

Symbol No.	Part No.	Part Name	Description	Local
K6626	NRSA63J-0R0X	MG RESISTOR	0Ω 1/16W J	
K6627	NRSA63J-0R0X	MG RESISTOR	0Ω 1/16W J	
K6628	NRSA63J-0R0X	MG RESISTOR	0Ω 1/16W J	
K6629	NRSA63J-0R0X	MG RESISTOR	0Ω 1/16W J	AVX700E, AVX706J, AVX706E, AVX706EU, AVX706EE
K6630	NQR0022-005X	FERRITE BEADS		
K6631	NQR0022-005X	FERRITE BEADS		
K6632	NQR0022-005X	FERRITE BEADS		
K6633	NRSA63J-0R0X	MG RESISTOR	0Ω 1/16W J	
PP2	QZW0010-001	STYLE PIN		
X501	NAX0841-001X	C RESONATOR		
X601	NAX0873-001X	CRYSTAL		
X602	NAX0728-001X	CRYSTAL	4.43361875MHz	
X603	NAX0727-001X	CRYSTAL	3.579545MHz	

## Panel board (Except KW-AVX701UN)

Block No. [0][4]

Symbol No.	Part No.	Part Name	Description	Local
△ IC401	UPD78F0525GRC05	IC		
IC402	BR24L04F-W-X	IC		
IC411	MN5814	IC		
IC412	SN74AHCT1G08V-X	IC		
IC415	LM2904PW-X	IC		
IC431	NJM2871BF05-X	IV		
IC441	MB90097PFV001EX	IC		
IC451	AN2546FH-AV	IC		
IC452	SN74AHCT1G32K-X	IC		
IC472	SN74LV123APW-X	IC		
IC473	OZ9611SN-X	IC		
IC474	TPCP8402JVC-X	POWER MOS FET		
IC475	TPCP8402JVC-X	POWER MOS FET		
IC476	RSQ035P03-W	MOS FET		
IC477	SN74AHCT1G08V-X	IC		
IC481	RS-771-X	RM.RECEIVER		
IC491	NJM4565V-X	IC		
Q411	RT1N141C-X	DIGI TRANSISTOR		
Q412	RT1N141C-X	DIGI TRANSISTOR		
Q421	RT1P141C-X	DIGI TRANSISTOR		
Q422	RT1N141C-X	DIGI TRANSISTOR		
Q423	2SA1530A/QR/-X	TRANSISTOR		
Q424	2SA1530A/QR/-X	TRANSISTOR		
Q425	2SA1530A/QR/-X	TRANSISTOR		
Q451	2SC3928A/QR/-X	TRANSISTOR		
Q452	2SC3928A/QR/-X	TRANSISTOR		
Q453	2SC3928A/QR/-X	TRANSISTOR		
Q454	2SC3928A/QR/-X	TRANSISTOR		
Q456	2SC3928A/QR/-X	TRANSISTOR		
Q491	2SC3928A/QR/-X	TRANSISTOR		
Q492	2SA1530A/QR/-X	TRANSISTOR		
Q493	2SC3928A/QR/-X	TRANSISTOR		
Q494	2SA1530A/QR/-X	TRANSISTOR		
Q495	2SA1530A/QR/-X	TRANSISTOR		
Q4301	2SC3928A/QR/-X	TRANSISTOR		
Q4760	RT1N141C-X	DIGI TRANSISTOR		
D401	MA111-X	SI DIODE		
D401	or 1SS355-X	DIODE C.M		
D421	MC2838-X	DIODE		
D422	MA111-X	SI DIODE		
D422	or 1SS355-X	DIODE C.M		
D423	MA111-X	SI DIODE		
D423	or 1SS355-X	DIODE C.M		
D451	CRS03-W	SB DIODE		
D453	MA111-X	SI DIODE		
D453	or 1SS355-X	DIODE C.M		
D454	MA111-X	SI DIODE		
D454	or 1SS355-X	DIODE C.M		
D455	MA111-X	SI DIODE		
D455	or 1SS355-X	DIODE C.M		

△ Symbol No.	Part No.	Part Name	Description	Local	△ Symbol No.	Part No.	Part Name	Description	Local
D4101	RB521S-30-X	SB DIODE			C472	NCB20JK-475X	C CAPACITOR	4.7uF 6.3V K	
D4102	RB521S-30-X	SB DIODE			C473	NCB31CK-104X	C CAPACITOR	0.1uF 16V K	
D4151	MA357-X	VARI CAP DIODE			C474	NDC31HJ-101X	C CAPACITOR	100pF 50V J	
D4201	RB521S-30-X	SB DIODE			C475	NCB20JK-475X	C CAPACITOR	4.7uF 6.3V K	
D4301	MA111-X	SI DIODE			C476	NDC31HJ-101X	C CAPACITOR	100pF 50V J	
D4301	or 1SS355-X	DIODE C.M			C477	NCB31CK-104X	C CAPACITOR	0.1uF 16V K	
D4302	MA111-X	SI DIODE			C478	NBE20JM-476X	TA E CAPACITOR	47uF 6.3V M	
D4302	or 1SS355-X	DIODE C.M			C479	NCB31CK-104X	C CAPACITOR	0.1uF 16V K	
D4303	UDZW8.2B-X	Z DIODE			C480	NBE51CM-476X	TA E CAPACITOR	47uF 16V M	
D4701	MA111-X	SI DIODE			C481	NDC31HJ-471X	C CAPACITOR	470pF 50V J	
D4701	or 1SS355-X	DIODE C.M			C482	NCB31HK-332X	C CAPACITOR	3300pF 50V K	
D4702	MA8047/M-X	Z DIODE			C483	NCB31HK-222X	C CAPACITOR	2200pF 50V K	
D4702	or UDZW4.7B-X	Z DIODE			C484	NCB31HK-223X	C CAPACITOR	0.022uF 50V K	
D4703	MA8047/M-X	Z DIODE			C485	NBE41CM-226X	TA E CAPACITOR	22uF 16V M	
D4703	or UDZW4.7B-X	Z DIODE			C486	NCB21CK-474X	C CAPACITOR	0.47uF 16V K	
D4704	BAV99L-X	SI DIODE			C487	NCB31CK-223X	C CAPACITOR	0.022uF 16V K	
D4705	BAV99L-X	SI DIODE			C488	NCB31HK-103X	C CAPACITOR	0.01uF 50V K	
D4706	MA8047/M-X	Z DIODE			C489	NCB21CK-105X	C CAPACITOR	1uF 16V K	
D4707	MA8047/M-X	Z DIODE			C491	NCJ11EK-106X-R	C CAPACITOR	10uF 25V	
D4708	MA111-X	SI DIODE			C492	NCB31CK-104X	C CAPACITOR	0.1uF 16V K	
D4709	MA111-X	SI DIODE			C493	NCJ11EK-106X-R	C CAPACITOR	10uF 25V	
D4710	RSB6.8S-X	SB DIODE			C494	NCB31CK-104X	C CAPACITOR	0.1uF 16V K	
D4801	SML310BA1T/HJ-X	LED			C495	NCB31CK-104X	C CAPACITOR	0.1uF 16V K	
D4802	SML310BA1T/HJ-X	LED			C496	NCB11CK-475X	C CAPACITOR	4.7uF 16V K	
D4803	SML310BA1T/HJ-X	LED			C497	NCB31CK-104X	C CAPACITOR	0.1uF 16V K	
D4804	LSQ971/KLJ-X	LED			C498	NCB31HK-103X	C CAPACITOR	0.01uF 50V K	
D4811	MA8062/M-X	Z DIODE			C4101	NBE20JM-476X	TA E CAPACITOR	47uF 6.3V M	
D4811	or UDZW6.2B-X	Z DIODE			C4102	NCB31CK-104X	C CAPACITOR	0.1uF 16V K	
D4812	MA8062/M-X	Z DIODE			C4103	NDC31HJ-101X	C CAPACITOR	100pF 50V J	
D4812	or UDZW6.2B-X	Z DIODE			C4104	NCB31HK-103X	C CAPACITOR	0.01uF 50V K	
D4901	SML310BA1T/HJ-X	LED			C4105	NCB31HK-103X	C CAPACITOR	0.01uF 50V K	
D4902	SML310BA1T/HJ-X	LED			C4106	NBE20JM-476X	TA E CAPACITOR	47uF 6.3V M	
D4903	SML310BA1T/HJ-X	LED			C4107	NDC31HJ-121X	C CAPACITOR	120pF 50V J	
D4904	SML310BA1T/HJ-X	LED			C4108	NCB31HK-102X	C CAPACITOR	1000pF 50V K	
D4905	SML310BA1T/HJ-X	LED			C4109	NDC31HJ-221X	C CAPACITOR	220pF 50V J	
D4906	SML310BA1T/HJ-X	LED			C4110	NDC31HJ-180X	C CAPACITOR	18pF 50V J	
D4907	SML310BA1T/HJ-X	LED			C4111	NDC31HJ-180X	C CAPACITOR	18pF 50V J	
D4908	SML310BA1T/HJ-X	LED			C4112	NDC31HJ-180X	C CAPACITOR	18pF 50V J	
D4909	SML310BA1T/HJ-X	LED			C4113	NDC31HJ-180X	C CAPACITOR	18pF 50V J	
D4910	SML310BA1T/HJ-X	LED			C4114	NDC31HJ-180X	C CAPACITOR	18pF 50V J	
D4911	MC2836-X	DIODE			C4115	NDC31HJ-180X	C CAPACITOR	18pF 50V J	
C401	NCB31HK-103X	C CAPACITOR	0.01uF 50V K		C4116	NDC31HJ-180X	C CAPACITOR	18pF 50V J	
C402	NCB31HK-103X	C CAPACITOR	0.01uF 50V K		C4117	NDC31HJ-180X	C CAPACITOR	18pF 50V J	
C404	NDC31HJ-100X	C CAPACITOR	10pF 50V J		C4118	NDC31HJ-180X	C CAPACITOR	18pF 50V J	
C405	NDC31HJ-100X	C CAPACITOR	10pF 50V J		C4119	NDC31HJ-180X	C CAPACITOR	18pF 50V J	
C406	NCB31AK-474X	C CAPACITOR	0.47uF 10V K		C4121	NCB31CK-104X	C CAPACITOR	0.1uF 16V K	
C407	NCB31CK-473X	C CAPACITOR	0.047uF 16V K		C4122	NBE20JM-476X	TA E CAPACITOR	47uF 6.3V M	
C408	NDC31HJ-221X	C CAPACITOR	220pF 50V J		C4123	NCB31CK-104X	C CAPACITOR	0.1uF 16V K	
C410	NDC31HJ-471X	C CAPACITOR	470pF 50V J		C4124	NBE41AM-476X	TA E CAPACITOR	47uF 10V M	
C411	NCB31CK-473X	C CAPACITOR	0.047uF 16V K		C4125	NCB31CK-104X	C CAPACITOR	0.1uF 16V K	
C412	NDC31HJ-221X	C CAPACITOR	220pF 50V J		C4126	NCJ11EK-106X-R	C CAPACITOR	10uF 25V	
C414	NCB31CK-104X	C CAPACITOR	0.1uF 16V K		C4127	NCB31HK-104X	C CAPACITOR	0.1uF 50V K	
C421	NBE21CM-475X	TA E CAPACITOR	4.7uF 16V M		C4128	NCB31CK-104X	C CAPACITOR	0.1uF 16V K	
C441	NBE20JM-226X	TA E CAPACITOR	22uF 6.3V M		C4129	NCB31HK-103X	C CAPACITOR	0.01uF 50V K	
C442	NCB31HK-103X	C CAPACITOR	0.01uF 50V K		C4130	NBE20JM-476X	TA E CAPACITOR	47uF 6.3V M	
C443	NDC31HJ-330X	C CAPACITOR	33pF 50V J		C4131	NCB31CK-104X	C CAPACITOR	0.1uF 16V K	
C444	NDC31HJ-330X	C CAPACITOR	33pF 50V J		C4132	NCB31CK-104X	C CAPACITOR	0.1uF 16V K	
C445	NCB31HK-103X	C CAPACITOR	0.01uF 50V K		C4133	NCJ11EK-106X-R	C CAPACITOR	10uF 25V	
C451	NBE21AM-106X	TA E CAPACITOR	10uF 10V M		C4134	NDC31HJ-180X	C CAPACITOR	18pF 50V J	
C452	NCB31CK-105X	C CAPACITOR	1uF 16V K		C4135	NCB31HK-103X	C CAPACITOR	0.01uF 50V K	
C453	NBE20JM-475X	TA E CAPACITOR	4.7uF 6.3V M		C4151	NCB31CK-104X	C CAPACITOR	0.1uF 16V K	
C455	NCB21AK-225X	C CAPACITOR	2.2uF 10V K		C4152	NBE41AM-476X	TA E CAPACITOR	47uF 10V M	
C456	NCB31HK-103X	C CAPACITOR	0.01uF 50V K		C4153	NCB31CK-105X	C CAPACITOR	1uF 16V K	
C458	NBE21AM-226X	TA E CAPACITOR	22uF 10V M		C4154	NBE21AM-106X	TA E CAPACITOR	10uF 10V M	
C459	NCB31CK-104X	C CAPACITOR	0.1uF 16V K		C4155	NCB31CK-104X	C CAPACITOR	0.1uF 16V K	
C460	NDC31HJ-101X	C CAPACITOR	100pF 50V J		C4156	NDC31HJ-561X	C CAPACITOR	560pF 50V J	
C461	NBE21AM-226X	TA E CAPACITOR	22uF 10V M		C4157	NCB31CK-104X	C CAPACITOR	0.1uF 16V K	
C462	NBE20JM-475X	TA E CAPACITOR	4.7uF 6.3V M		C4158	NCB31CK-104X	C CAPACITOR	0.1uF 16V K	
C463	NBE20JM-475X	TA E CAPACITOR	4.7uF 6.3V M		C4159	NCB31HK-102X	C CAPACITOR	1000pF 50V K	
C464	NBE20JM-475X	TA E CAPACITOR	4.7uF 6.3V M		C4160	NCB31CK-104X	C CAPACITOR	0.1uF 16V K	
C465	NCB20JK-475X	C CAPACITOR	4.7uF 6.3V K		C4162	NCB31CK-105X	C CAPACITOR	1uF 16V K	
C466	NCB20JK-475X	C CAPACITOR	4.7uF 6.3V K		C4163	NCJ11EK-106X-R	C CAPACITOR	10uF 25V	
C467	NCB20JK-475X	C CAPACITOR	4.7uF 6.3V K		C4164	NCB11CK-475X	C CAPACITOR	4.7uF 16V K	
C468	NCB31CK-105X	C CAPACITOR	1uF 16V K		C4165	NCB31HK-102X	C CAPACITOR	1000pF 50V K	
C469	NCB31CK-105X	C CAPACITOR	1uF 16V K		C4301	NCB31CK-105X	C CAPACITOR	1uF 16V K	
C470	NCB31CK-105X	C CAPACITOR	1uF 16V K		C4302	NCB31HK-103X	C CAPACITOR	0.01uF 50V K	
C471	NCB20JK-475X	C CAPACITOR	4.7uF 6.3V K		C4303	NCB31HK-103X	C CAPACITOR	0.01uF 50V K	
					C4304	NBE21AM-226X	TA E CAPACITOR	22uF 10V M	

△ Symbol No.	Part No.	Part Name	Description	Local	△ Symbol No.	Part No.	Part Name	Description	Local
C4305	NCB31HK-103X	C CAPACITOR	0.01uF 50V K		R445	NRSA63J-102X	MG RESISTOR	1kΩ 1/16W J	
C4306	NBE41CM-226X	TA E CAPACITOR	22uF 16V M		R446	NRSA63J-102X	MG RESISTOR	1kΩ 1/16W J	
C4307	NCB31CK-105X	C CAPACITOR	1uF 16V K		R447	NRSA63J-102X	MG RESISTOR	1kΩ 1/16W J	
C4702	NCB31CK-104X	C CAPACITOR	0.1uF 16V K		R451	NRSA63J-101X	MG RESISTOR	100Ω 1/16W J	
C4703	NCB21CK-105X	C CAPACITOR	1uF 16V K		R453	NRSA63J-331X	MG RESISTOR	330Ω 1/16W J	
C4704	NCB21CK-105X	C CAPACITOR	1uF 16V K		R454	NRSA63J-153X	MG RESISTOR	15kΩ 1/16W J	
C4705	NQR0450-001X	EMI FILTER	0.022uF 50V M		R455	NRSA63J-333X	MG RESISTOR	33kΩ 1/16W J	
C4706	NCB31CK-105X	C CAPACITOR	1uF 16V K		R456	NRSA63J-334X	MG RESISTOR	330kΩ 1/16W J	
C4707	NCB31HK-103X	C CAPACITOR	0.01uF 50V K		R457	NRSA63J-102X	MG RESISTOR	1kΩ 1/16W J	
C4708	NCB31AK-474X	C CAPACITOR	0.47uF 10V K		R458	NRSA63J-683X	MG RESISTOR	68kΩ 1/16W J	
C4709	NCB31CK-104X	C CAPACITOR	0.1uF 16V K		R459	NRSA63J-331X	MG RESISTOR	330Ω 1/16W J	
C4710	NDC31HJ-101X	C CAPACITOR	100pF 50V J		R461	NRSA63J-222X	MG RESISTOR	2.2kΩ 1/16W J	
C4711	NCB31CK-104X	C CAPACITOR	0.1uF 16V K		R462	NRSA63J-222X	MG RESISTOR	2.2kΩ 1/16W J	
C4712	NCB31HK-153X	C CAPACITOR	0.015uF 50V K		R463	NRSA63J-222X	MG RESISTOR	2.2kΩ 1/16W J	
C4713	NCB31HK-102X	C CAPACITOR	1000pF 50V K		R464	NRSA63J-153X	MG RESISTOR	15kΩ 1/16W J	
C4714	NDC31HJ-221X	C CAPACITOR	220pF 50V J		R465	NRSA63J-153X	MG RESISTOR	15kΩ 1/16W J	
C4715	NCB31CK-473X	C CAPACITOR	0.047uF 16V K		R466	NRSA63J-153X	MG RESISTOR	15kΩ 1/16W J	
C4717	NDC31HJ-101X	C CAPACITOR	100pF 50V J		R469	NRSA63J-101X	MG RESISTOR	100Ω 1/16W J	
C4718	NDC31HJ-101X	C CAPACITOR	100pF 50V J		R470	NRSA63J-101X	MG RESISTOR	100Ω 1/16W J	
C4719	NDC31HJ-101X	C CAPACITOR	100pF 50V J		R471	NRSA63J-101X	MG RESISTOR	100Ω 1/16W J	
C4720	NDC31HJ-101X	C CAPACITOR	100pF 50V J		R473	NRSA63J-0R0X	MG RESISTOR	0Ω 1/16W J	
C4721	NCB31HK-473X	C CAPACITOR	0.047uF 50V K		R474	NRSA63J-104X	MG RESISTOR	100kΩ 1/16W J	
C4722	NCB31HK-473X	C CAPACITOR	0.047uF 50V K		R475	NRSA63J-223X	MG RESISTOR	22kΩ 1/16W J	
C4723	NCJ11EK-106X-R	C CAPACITOR	10uF 25V		R477	NRSA63J-104X	MG RESISTOR	100kΩ 1/16W J	
C4724	NCJ11EK-106X-R	C CAPACITOR	10uF 25V		R478	NRSA63J-332X	MG RESISTOR	3.3kΩ 1/16W J	
C4725	NCJ11EK-106X-R	C CAPACITOR	10uF 25V		R479	NRSA63J-105X	MG RESISTOR	1MΩ 1/16W J	
C4726	NCJ11EK-106X-R	C CAPACITOR	10uF 25V		R480	NRSA63J-332X	MG RESISTOR	3.3kΩ 1/16W J	
C4727	NCJ11EK-106X-R	C CAPACITOR	10uF 25V		R481	NRSA63J-103X	MG RESISTOR	10kΩ 1/16W J	
C4728	NCB11CK-225X	C CAPACITOR	2.2uF 16V K		R482	NRSA63J-103X	MG RESISTOR	10kΩ 1/16W J	
C4729	NCB31CK-104X	C CAPACITOR	0.1uF 16V K		R483	NRSA63J-103X	MG RESISTOR	10kΩ 1/16W J	
C4730	NCZ1011-100X	C CAPACITOR	10pF		R484	NRSA63J-822X	MG RESISTOR	8.2kΩ 1/16W J	
C4731	NCB31EK-153X	C CAPACITOR	0.015uF 25V K		R485	NRSA63J-822X	MG RESISTOR	8.2kΩ 1/16W J	
C4733	NCB31CK-105X	C CAPACITOR	1uF 16V K		R486	NRSA63J-822X	MG RESISTOR	8.2kΩ 1/16W J	
C4734	NCB31CK-104X	C CAPACITOR	0.1uF 16V K		R487	NRSA63J-223X	MG RESISTOR	22kΩ 1/16W J	
C4801	NCB31CK-104X	C CAPACITOR	0.1uF 16V K		R489	NRSA63J-223X	MG RESISTOR	22kΩ 1/16W J	
C4906	NCB31HK-103X	C CAPACITOR	0.01uF 50V K		R490	NRSA63J-0R0X	MG RESISTOR	0Ω 1/16W J	
C4951	NCB31CK-104X	C CAPACITOR	0.1uF 16V K		R491	NRSA63J-333X	MG RESISTOR	33kΩ 1/16W J	
R401	NRSA63J-102X	MG RESISTOR	1kΩ 1/16W J		R492	NRSA63J-683X	MG RESISTOR	68kΩ 1/16W J	
R402	NRSA63J-0R0X	MG RESISTOR	0Ω 1/16W J		R493	NRSA63J-101X	MG RESISTOR	100Ω 1/16W J	
R403	NRSA63J-473X	MG RESISTOR	47kΩ 1/16W J		R494	NRSA63J-103X	MG RESISTOR	10kΩ 1/16W J	
R406	NRSA63J-271X	MG RESISTOR	270Ω 1/16W J		R495	NRSA63J-103X	MG RESISTOR	10kΩ 1/16W J	
R407	NRSA63J-271X	MG RESISTOR	270Ω 1/16W J		R496	NRSA63J-390X	MG RESISTOR	39Ω 1/16W J	
R409	NRSA63J-102X	MG RESISTOR	1kΩ 1/16W J		R497	NRSA63J-2R2X	MG RESISTOR	2.2Ω 1/16W J	
R410	NRSA63J-102X	MG RESISTOR	1kΩ 1/16W J		R498	NRSA63J-2R2X	MG RESISTOR	2.2Ω 1/16W J	
R411	NRSA63J-183X	MG RESISTOR	18kΩ 1/16W J		R499	NRSA63J-390X	MG RESISTOR	39Ω 1/16W J	
R412	NRSA63J-102X	MG RESISTOR	1kΩ 1/16W J		R4101	NRSA63J-474X	MG RESISTOR	470kΩ 1/16W J	
R413	NRSA63J-102X	MG RESISTOR	1kΩ 1/16W J		R4102	NRSA63J-103X	MG RESISTOR	10kΩ 1/16W J	
R414	NRSA63J-102X	MG RESISTOR	1kΩ 1/16W J		R4103	NRSA63J-102X	MG RESISTOR	1kΩ 1/16W J	
R415	NRSA63J-102X	MG RESISTOR	1kΩ 1/16W J		R4104	NRSA63J-101X	MG RESISTOR	100Ω 1/16W J	
R416	NRSA63J-102X	MG RESISTOR	1kΩ 1/16W J		R4105	NRSA63J-101X	MG RESISTOR	100Ω 1/16W J	
R417	NRSA63J-102X	MG RESISTOR	1kΩ 1/16W J		R4106	NRSA63J-101X	MG RESISTOR	100Ω 1/16W J	
R418	NRSA63J-102X	MG RESISTOR	1kΩ 1/16W J		R4107	NRSA63J-0R0X	MG RESISTOR	0Ω 1/16W J	
R419	NRSA63J-102X	MG RESISTOR	1kΩ 1/16W J		R4108	NRSA63J-101X	MG RESISTOR	100Ω 1/16W J	
R420	NRSA63J-102X	MG RESISTOR	1kΩ 1/16W J		R4109	NRSA63J-101X	MG RESISTOR	100Ω 1/16W J	
R421	NRSA63J-102X	MG RESISTOR	1kΩ 1/16W J		R4110	NRSA63J-101X	MG RESISTOR	100Ω 1/16W J	
R422	NRSA63J-102X	MG RESISTOR	1kΩ 1/16W J		R4111	NRSA63J-101X	MG RESISTOR	100Ω 1/16W J	
R423	NRSA63J-152X	MG RESISTOR	1.5kΩ 1/16W J		R4112	NRSA63J-101X	MG RESISTOR	100Ω 1/16W J	
R424	NRSA63J-152X	MG RESISTOR	1.5kΩ 1/16W J		R4113	NRSA63J-101X	MG RESISTOR	100Ω 1/16W J	
R425	NRSA63J-152X	MG RESISTOR	1.5kΩ 1/16W J		R4114	NRSA63J-101X	MG RESISTOR	100Ω 1/16W J	
R426	NRSA63J-102X	MG RESISTOR	1kΩ 1/16W J		R4115	NRSA63J-101X	MG RESISTOR	100Ω 1/16W J	
R427	NRSA63J-102X	MG RESISTOR	1kΩ 1/16W J		R4117	NRSA63J-332X	MG RESISTOR	3.3kΩ 1/16W J	
R428	NRSA63J-102X	MG RESISTOR	1kΩ 1/16W J		R4118	NRSA63J-103X	MG RESISTOR	10kΩ 1/16W J	
R429	NRSA63J-102X	MG RESISTOR	1kΩ 1/16W J		R4119	NRSA63J-183X	MG RESISTOR	18kΩ 1/16W J	
R430	NRSA63J-102X	MG RESISTOR	1kΩ 1/16W J		R4121	NRSA63J-103X	MG RESISTOR	10kΩ 1/16W J	
R431	NRSA63J-101X	MG RESISTOR	100Ω 1/16W J		R4122	NRSA63J-0R0X	MG RESISTOR	0Ω 1/16W J	
R432	NRSA63J-103X	MG RESISTOR	10kΩ 1/16W J		R4123	NRSA63J-0R0X	MG RESISTOR	0Ω 1/16W J	
R433	NRSA63J-333X	MG RESISTOR	33kΩ 1/16W J		R4151	NRSA63J-562X	MG RESISTOR	5.6kΩ 1/16W J	
R434	NRSA63J-683X	MG RESISTOR	68kΩ 1/16W J		R4152	NRSA63J-332X	MG RESISTOR	3.3kΩ 1/16W J	
R435	NRSA63J-124X	MG RESISTOR	120kΩ 1/16W J		R4153	NRSA63J-683X	MG RESISTOR	68kΩ 1/16W J	
R436	NRSA63J-274X	MG RESISTOR	270kΩ 1/16W J		R4154	NRSA63J-473X	MG RESISTOR	47kΩ 1/16W J	
R437	NRSA63J-124X	MG RESISTOR	120kΩ 1/16W J		R4155	NRSA63J-223X	MG RESISTOR	22kΩ 1/16W J	
R438	NRSA63J-104X	MG RESISTOR	100kΩ 1/16W J		R4156	NRSA63J-683X	MG RESISTOR	68kΩ 1/16W J	
R439	NRSA63J-334X	MG RESISTOR	330kΩ 1/16W J		R4157	NRSA63J-105X	MG RESISTOR	1MΩ 1/16W J	
R441	NRSA63J-102X	MG RESISTOR	1kΩ 1/16W J		R4158	NRSA63J-103X	MG RESISTOR	10kΩ 1/16W J	
R442	NRSA63J-102X	MG RESISTOR	1kΩ 1/16W J		R4159	NRSA63J-103X	MG RESISTOR	10kΩ 1/16W J	
R443	NRSA63J-102X	MG RESISTOR	1kΩ 1/16W J		R4160	NRSA63J-104X	MG RESISTOR	100kΩ 1/16W J	
R444	NRSA63J-102X	MG RESISTOR	1kΩ 1/16W J		R4162	NRSA63J-103X	MG RESISTOR	10kΩ 1/16W J	
					R4163	NRSA63J-333X	MG RESISTOR	33kΩ 1/16W J	

△ Symbol No.	Part No.	Part Name	Description	Local	△ Symbol No.	Part No.	Part Name	Description	Local
R4164	NRSA63J-103X	MG RESISTOR	10kΩ 1/16W J		L4103	NQL79GM-470X	COIL	47uH M	
R4165	NRSA63J-471X	MG RESISTOR	470kΩ 1/16W J		L4104	NQL79GM-470X	COIL	47uH M	
R4167	NRSA63J-333X	MG RESISTOR	33kΩ 1/16W J		L4105	NQL79GM-470X	COIL	47uH M	
R4168	NRSA63J-0R0X	MG RESISTOR	0Ω 1/16W J		L4106	NQL79GM-470X	COIL	47uH M	
R4203	NRSA63J-391X	MG RESISTOR	390Ω 1/16W J		L4107	NQL79GM-470X	COIL	47uH M	
R4204	NRSA63J-473X	MG RESISTOR	47kΩ 1/16W J		L4701	NQL79GM-470X	COIL	47uH M	
R4205	NRSA63J-562X	MG RESISTOR	5.6kΩ 1/16W J		L4702	NQL79GM-470X	COIL	47uH M	
R4206	NRSA63J-152X	MG RESISTOR	1.5kΩ 1/16W J		L4703	NQL52EM-220X	COIL	22uH M	
R4207	NRSA63J-152X	MG RESISTOR	1.5kΩ 1/16W J		T4701	NQR0617-001	C FL TRANSF		
R4208	NRSA63J-473X	MG RESISTOR	47kΩ 1/16W J		CN401	QGF0522F3-06W	CONNECTOR	FFC/FPC (1-6)	
R4209	NRSA63J-473X	MG RESISTOR	47kΩ 1/16W J		CN411	QGF0523F3-30W	CONNECTOR	FFC/FPC (1-30)	
R4210	NRSA63J-474X	MG RESISTOR	470kΩ 1/16W J		CN421	QGF0523F2-40W	CONNECTOR	FFC/FPC (1-40)	
R4211	NRSA63J-0R0X	MG RESISTOR	0Ω 1/16W J		CN422	QGF0523F2-08W	CONNECTOR	FFC/FPC (1-8)	
R4212	NRSA63J-102X	MG RESISTOR	1kΩ 1/16W J		CN423	QGF0523F2-08W	CONNECTOR	FFC/FPC (1-8)	
R4221	NRSA63J-102X	MG RESISTOR	1kΩ 1/16W J		CN423	QGF0523F2-08W	CONNECTOR	FFC/FPC (1-8)	
R4223	NRSA63J-332X	MG RESISTOR	3.3kΩ 1/16W J		CN471	QGA3501F1-02X	CONNECTOR	W-B (1-2)	
R4228	NRSA63J-680X	MG RESISTOR	68Ω 1/16W J		CN481	QGF0536C4-08W	CONNECTOR	FFC/FPC (1-8)	
R4230	NRSA63J-681X	MG RESISTOR	680Ω 1/16W J		CN491	QGF0536C2-08W	CONNECTOR	FFC/FPC (1-8)	
R4232	NRSA63J-821X	MG RESISTOR	820Ω 1/16W J		△ F4701	NMFZ018-2R5X-E	FUSE	2.5A	
R4234	NRSA63J-102X	MG RESISTOR	1kΩ 1/16W J		K411	NQR0251-001X	FERRITE BEADS		
R4235	NRSA63J-182X	MG RESISTOR	1.8kΩ 1/16W J		K421	NQR0251-001X	FERRITE BEADS		
R4237	NRSA63J-821X	MG RESISTOR	820Ω 1/16W J		K422	NQR0251-001X	FERRITE BEADS		
R4239	NRSA63J-102X	MG RESISTOR	1kΩ 1/16W J		K423	NQR0251-001X	FERRITE BEADS		
R4240	NRSA63J-182X	MG RESISTOR	1.8kΩ 1/16W J		K424	NQR0251-001X	FERRITE BEADS		
R4242	NRSA63J-680X	MG RESISTOR	68Ω 1/16W J		K425	NQR0251-001X	FERRITE BEADS		
R4244	NRSA63J-681X	MG RESISTOR	680Ω 1/16W J		K426	NQR0251-001X	FERRITE BEADS		
R4246	NRSA63J-680X	MG RESISTOR	68Ω 1/16W J		K427	NRSA63J-0R0X	MG RESISTOR	0Ω 1/16W J	
R4248	NRSA63J-681X	MG RESISTOR	680Ω 1/16W J		K428	NRSA63J-0R0X	MG RESISTOR	0Ω 1/16W J	
R4301	NRSA63J-100X	MG RESISTOR	10Ω 1/16W J		K429	NRSA63J-0R0X	MG RESISTOR	0Ω 1/16W J	
R4302	NRSA63J-471X	MG RESISTOR	470Ω 1/16W J		K430	NRSA63J-0R0X	MG RESISTOR	0Ω 1/16W J	
R4701	NRSA63J-564X	MG RESISTOR	560kΩ 1/16W J		K431	NRSA63J-0R0X	MG RESISTOR	0Ω 1/16W J	
R4704	NRSA63J-333X	MG RESISTOR	33kΩ 1/16W J		K491	NQR0251-001X	FERRITE BEADS		
R4705	NRSA63J-154X	MG RESISTOR	150kΩ 1/16W J		K492	NQR0251-001X	FERRITE BEADS		
R4706	NRSA63J-470X	MG RESISTOR	47Ω 1/16W J		K4101	NQR0251-004X	FERRITE BEADS		
R4707	NRSA63J-470X	MG RESISTOR	47Ω 1/16W J		K4102	NQR0251-001X	FERRITE BEADS		
R4708	NRSA63J-470X	MG RESISTOR	47Ω 1/16W J		K4103	NQR0251-001X	FERRITE BEADS		
R4709	NRSA63J-470X	MG RESISTOR	47Ω 1/16W J		K4104	NQR0251-001X	FERRITE BEADS		
R4710	NRSA63J-124X	MG RESISTOR	120kΩ 1/16W J		K4105	NQR0251-001X	FERRITE BEADS		
R4711	NRSA63J-512X	MG RESISTOR	5.1kΩ 1/16W J		K4151	NQR0251-001X	FERRITE BEADS		
R4712	NRSA63J-512X	MG RESISTOR	5.1kΩ 1/16W J		K4152	NQR0251-001X	FERRITE BEADS		
R4713	NRSA63J-105X	MG RESISTOR	1MΩ 1/16W J		S4801	NSW0246-001X	TACK SW		
R4714	NRSA63J-513X	MG RESISTOR	51kΩ 1/16W J		S4802	NSW0246-001X	TACK SW		
R4715	NRSA63J-471X	MG RESISTOR	470Ω 1/16W J		S4803	NSW0246-001X	TACK SW		
R4716	NRSA63J-823X	MG RESISTOR	82kΩ 1/16W J		S4804	NSW0246-001X	TACK SW		
R4717	NRSA63J-102X	MG RESISTOR	1kΩ 1/16W J		S4805	NSW0246-001X	TACK SW		
R4720	NRSA63J-0R0X	MG RESISTOR	0Ω 1/16W J		S4901	NSW0246-001X	TACK SW		
R4760	NRSA63J-103X	MG RESISTOR	10kΩ 1/16W J		S4902	NSW0246-001X	TACK SW		
R4801	NRSA63J-301X	MG RESISTOR	300Ω 1/16W J		S4903	NSW0246-001X	TACK SW		
R4802	NRSA63J-271X	MG RESISTOR	270Ω 1/16W J		S4904	NSW0246-001X	TACK SW		
R4803	NRSA63J-391X	MG RESISTOR	390Ω 1/16W J		S4905	NSW0246-001X	TACK SW		
R4901	NRSA63J-301X	MG RESISTOR	300Ω 1/16W J		S4906	NSW0246-001X	TACK SW		
R4902	NRSA63J-271X	MG RESISTOR	270Ω 1/16W J		S4907	NSW0279-001X	M DIRECTION SW		
R4903	NRSA63J-391X	MG RESISTOR	390Ω 1/16W J		X401	NAX0872-001X	CRYSTAL		
R4904	NRSA63J-561X	MG RESISTOR	560Ω 1/16W J						
R4905	NRSA63J-301X	MG RESISTOR	300Ω 1/16W J						
R4906	NRSA63J-271X	MG RESISTOR	270Ω 1/16W J						
R4907	NRSA63J-391X	MG RESISTOR	390Ω 1/16W J						
R4908	NRSA63J-561X	MG RESISTOR	560Ω 1/16W J						
R4909	NRSA63J-821X	MG RESISTOR	820Ω 1/16W J						
R4951	NRSA63J-103X	MG RESISTOR	10kΩ 1/16W J						
R4952	NRSA63J-103X	MG RESISTOR	10kΩ 1/16W J						
R4953	NRSA63J-103X	MG RESISTOR	10kΩ 1/16W J						
R4954	NRSA63J-223X	MG RESISTOR	22kΩ 1/16W J						
R4955	NRSA63J-153X	MG RESISTOR	15kΩ 1/16W J						
R4961	NRSA63J-564X	MG RESISTOR	560kΩ 1/16W J						
R4962	NRSA63J-564X	MG RESISTOR	560kΩ 1/16W J						
RA401	NRZ0065-102X	NET RESISTOR	1kΩ 1/16W J						
RA402	NRZ0065-102X	NET RESISTOR	1kΩ 1/16W J						
RA403	NRZ0065-102X	NET RESISTOR	1kΩ 1/16W J						
L401	NQL79GM-100X	COIL	10uH M						
L441	NQL79GM-100X	COIL	10uH M						
L442	NQL085J-220X	COIL	22uH J						
L451	NQL79GM-220X	COIL	22uH M						
L452	NQL79GM-470X	COIL	47uH M						
L453	NQL79GM-220X	COIL	22uH M						
L454	NQL79GM-100X	COIL	10uH M						
L4102	NQL334J-1R5X	COIL	1.5uH J						

### Main board (Only KW-AVX701UN)

Block No. [0][5]

△ Symbol No.	Part No.	Part Name	Description	Local
IC51	BD3433K	IC		
IC71	CD4053BPW-X	IC		
IC341	CD4053BPW-X	IC		
IC351	TDA7416	IC		
IC371	TB2904HQ	IC		
IC381	NJM4565V-X	IC		
IC701	UPD784218AGC342	IC		
IC715	LM2904PW-X	IC		
IC721	BR24L32F-W-X	IC(DIGITAL)		
IC731	S-80833CNNB-G-W	IC		
IC741	SN74AHCT1G08V-X	IC		
IC801	R2S25400DS-E	IC		
IC821	BD3930FP-X	IC		
IC822	BD9781HFP-W	IC		
IC823	BH33MA3WHFV-W	IC		

△ Symbol No.	Part No.	Part Name	Description	Local	△ Symbol No.	Part No.	Part Name	Description	Local
IC871	BD9781HFP-W	IC			D871	CRS03-W	SB DIODE		
IC872	SN74AHCT1G08V-X	IC			D872	CRS03-W	SB DIODE		
IC881	BA6956AN	IC			D881	UDZW5.1B-X	SB DIODE		
IC910	LT1946AEMS8E-X	IC			D882	CRS03-W	SB DIODE		
IC941	SN74AHC126NS-X	IC			D883	UDZW5.1B-X	SB DIODE		
IC971	SN74LVC32APW-X	IC			D901	1N5401-F64	SI DIODE		
IC972	SN74HCT32APW-X	IC			D961	CRS03-W	SB DIODE		
Q1	RT1N141C-X	DIGI TRANSISTOR			D962	CRS03-W	SB DIODE		
Q11	2SC3928A/QR/-X	TRANSISTOR			D963	CRS03-W	SB DIODE		
Q151	2SD2114K/VW/-X	TRANSISTOR			D981	CRS03-W	SB DIODE		
Q161	2SD2114K/VW/-X	TRANSISTOR			D982	RB160M-30-X	SB DIODE		
Q251	2SD2114K/VW/-X	TRANSISTOR			D983	RB160M-30-X	SB DIODE		
Q261	2SD2114K/VW/-X	TRANSISTOR			D984	CRS03-W	SB DIODE		
Q351	2SD2114K/VW/-X	TRANSISTOR			D998	MA8062/M/-X	Z DIODE		
Q361	2SD2114K/VW/-X	TRANSISTOR			D998	or UDZW6.2B-X	Z DIODE		
Q371	RT1N441C-X	TRANSISTOR			D999	MA8062/M/-X	Z DIODE		
Q372	RT1P441C-X	DIGI TRANSISTOR			D999	or UDZW6.2B-X	Z DIODE		
Q373	RT1N141C-X	DIGI TRANSISTOR			D7350	MA111-X	SI DIODE		
Q374	2SC3928A/QR/-X	TRANSISTOR			D7350	or 1SS355-X	DIODE C.M		
Q701	2SC3928A/QR/-X	TRANSISTOR			D7351	MA111-X	SI DIODE		
Q801	RSQ030P03-W	MOS FET			D7351	or 1SS355-X	DIODE C.M		
Q802	RT1N141C-X	DIGI TRANSISTOR			D7352	MC2838-X	DIODE		
Q821	2SB1132/QR/-W	TRANSISTOR			D9101	CRS03-W	SB DIODE		
Q822	RT1N141C-X	DIGI TRANSISTOR			D9201	MA111-X	SI DIODE		
Q825	2SA1530A/QR/-X	TRANSISTOR			D9202	MA111-X	SI DIODE		
Q827	RT1N141C-X	DIGI TRANSISTOR			D9203	MA8180/M/-X	Z DIODE		
Q841	RT1P141C-X	DIGI TRANSISTOR			D9203	or UDZW18B-X	Z DIODE		
Q842	RT1P141C-X	DIGI TRANSISTOR			D9301	RB521S-30-X	SB DIODE		
Q843	RT1P141C-X	DIGI TRANSISTOR			D9302	RB521S-30-X	SB DIODE		
Q844	RT1P141C-X	DIGI TRANSISTOR			D9401	MA111-X	SI DIODE		
Q845	RT1N141C-X	DIGI TRANSISTOR			D9402	MA8091/M/-X	Z DIODE		
Q847	2SC3928A/QR/-X	TRANSISTOR			D9402	or UDZW9.1B-X	Z DIODE		
Q848	RT1N141C-X	DIGI TRANSISTOR			C1	NCB31HK-103X	C CAPACITOR	0.01uF 50V K	
Q861	2SA1530A/QR/-X	TRANSISTOR			C2	QERF1AM-107Z	E CAPACITOR	100uF 10V M	
Q862	2SA1530A/QR/-X	TRANSISTOR			C3	QERF1CM-476Z	E CAPACITOR	47uF 16V M	
Q871	2SK3019-X	MOS FET			C4	NCB31HK-103X	C CAPACITOR	0.01uF 50V K	
Q881	RT1N141C-X	DIGI TRANSISTOR			C7	NCB31AK-224X	C CAPACITOR	0.22uF 10V K	
Q883	RT1N141C-X	DIGI TRANSISTOR			C8	NCB31CK-104X	C CAPACITOR	0.1uF 16V K	
Q951	RT1N141C-X	DIGI TRANSISTOR			C11	NCB31CK-105X	C CAPACITOR	1uF 16V K	
Q952	2SA1530A/QR/-X	TRANSISTOR			C12	NDC31HJ-331X	C CAPACITOR	330pF 50V J	
Q953	RT1N441C-X	TRANSISTOR			C39	NCB31HK-102X	C CAPACITOR	1000pF 50V K	
Q7350	2SC3928A/QR/-X	TRANSISTOR			C52	NCB31HK-103X	C CAPACITOR	0.01uF 50V K	
Q9101	2SC3928A/QR/-X	TRANSISTOR			C53	NCB31HK-103X	C CAPACITOR	0.01uF 50V K	
Q9201	2SC3928A/QR/-X	TRANSISTOR			C54	QERF1CM-476Z	E CAPACITOR	47uF 16V M	
Q9401	2SA1530A/QR/-X	TRANSISTOR			C55	QK1HM-105Z	E CAPACITOR	1uF 50V M	
D2	MA111-X	SI DIODE			C56	QK1HM-105Z	E CAPACITOR	1uF 50V M	
D2	or 1SS355-X	DIODE C.M			C57	QK1HM-105Z	E CAPACITOR	1uF 50V M	
D3	MA111-X	SI DIODE			C61	QK1HM-105Z	E CAPACITOR	1uF 50V M	
D3	or 1SS355-X	DIODE C.M			C62	QK1HM-105Z	E CAPACITOR	1uF 50V M	
D51	CRS03-W	SB DIODE			C63	QK1HM-105Z	E CAPACITOR	1uF 50V M	
D151	MC2836-X	DIODE			C64	QK1HM-105Z	E CAPACITOR	1uF 50V M	
D251	MC2836-X	DIODE			C65	QK1HM-105Z	E CAPACITOR	1uF 50V M	
D352	MA111-X	SI DIODE			C66	QK1HM-105Z	E CAPACITOR	1uF 50V M	
D352	or 1SS355-X	DIODE C.M			C71	NCB31HK-103X	C CAPACITOR	0.01uF 50V K	
D361	MA111-X	SI DIODE			C73	NCB31HK-103X	C CAPACITOR	0.01uF 50V K	
D361	or 1SS355-X	DIODE C.M			C112	QK1HM-475Z	E CAPACITOR	4.7uF 50V M	
D371	UDZW11B-X	Z DIODE			C113	NDC31HJ-821X	C CAPACITOR	820pF 50V J	
D731	MA111-X	SI DIODE			C120	QK1HM-105Z	E CAPACITOR	1uF 50V M	
D731	or 1SS355-X	DIODE C.M			C121	QERF1HM-105Z	E CAPACITOR	1uF 50V M	
D802	MA111-X	SI DIODE			C122	QERF1HM-105Z	E CAPACITOR	1uF 50V M	
D802	or 1SS355-X	DIODE C.M			C141	QERF1HM-105Z	E CAPACITOR	1uF 50V M	
D821	RB051L-40-X	SB DIODE			C142	QERF1HM-105Z	E CAPACITOR	1uF 50V M	
D822	RB051L-40-X	SB DIODE			C151	QERF1EM-475Z	E CAPACITOR	4.7uF 25V M	
D823	CRS03-W	SB DIODE			C152	NDC31HJ-101X	C CAPACITOR	100pF 50V J	
D825	CRS03-W	SB DIODE			C161	QERF1EM-475Z	E CAPACITOR	4.7uF 25V M	
D841	UDZW11B-X	Z DIODE			C162	NDC31HJ-101X	C CAPACITOR	100pF 50V J	
D842	MC2836-X	DIODE			C165	NCB31HK-102X	C CAPACITOR	1000pF 50V K	
D843	MA111-X	SI DIODE			C172	NFV81CM-105X	MF CAPACITOR	1uF 16V M	
D843	or 1SS355-X	DIODE C.M			C173	NDC31HJ-101X	C CAPACITOR	100pF 50V J	
D844	MC2836-X	DIODE			C182	NFV81CM-105X	MF CAPACITOR	1uF 16V M	
D845	MA111-X	SI DIODE			C183	NDC31HJ-101X	C CAPACITOR	100pF 50V J	
D845	or 1SS355-X	DIODE C.M			C212	QK1HM-475Z	E CAPACITOR	4.7uF 50V M	
D846	MC2836-X	DIODE			C213	NDC31HJ-821X	C CAPACITOR	820pF 50V J	
D847	MA111-X	SI DIODE			C220	QK1HM-105Z	E CAPACITOR	1uF 50V M	
D847	or 1SS355-X	DIODE C.M			C221	QERF1HM-105Z	E CAPACITOR	1uF 50V M	
D861	CRS03-W	SB DIODE			C222	QERF1HM-105Z	E CAPACITOR	1uF 50V M	
					C241	QERF1HM-105Z	E CAPACITOR	1uF 50V M	

△ Symbol No.	Part No.	Part Name	Description	Local	△ Symbol No.	Part No.	Part Name	Description	Local
C242	QERF1HM-105Z	E CAPACITOR	1uF 50V M		C843	NBE41AM-476X	TA E CAPACITOR	47uF 10V M	
C251	QERF1EM-475Z	E CAPACITOR	4.7uF 25V M		C844	NBE41AM-476X	TA E CAPACITOR	47uF 10V M	
C252	NDC31HJ-101X	C CAPACITOR	100pF 50V J		C845	NCB31CK-104X	C CAPACITOR	0.1uF 16V K	
C261	QERF1EM-475Z	E CAPACITOR	4.7uF 25V M		C847	QETN1HM-226Z	E CAPACITOR	22uF 50V M	
C262	NDC31HJ-101X	C CAPACITOR	100pF 50V J		C848	NCB31CK-105X	C CAPACITOR	1uF 16V K	
C265	NCB31HK-102X	C CAPACITOR	1000pF 50V K		C849	NCB31CK-104X	C CAPACITOR	0.1uF 16V K	
C272	NFV81CM-105X	MF CAPACITOR	1uF 16V M		C861	NCB31CK-104X	C CAPACITOR	0.1uF 16V K	
C273	NDC31HJ-101X	C CAPACITOR	100pF 50V J		C865	NCB31CK-104X	C CAPACITOR	0.1uF 16V K	
C282	NFV81CM-105X	MF CAPACITOR	1uF 16V M		C866	NCB31CK-104X	C CAPACITOR	0.1uF 16V K	
C283	NDC31HJ-101X	C CAPACITOR	100pF 50V J		C871	NCB31HK-472X	C CAPACITOR	4700pF 50V K	
C321	QETN1CM-107Z	E CAPACITOR	100uF 16V M		C872	NCB31CK-104X	C CAPACITOR	0.1uF 16V K	
C322	NCB31CK-473X	C CAPACITOR	0.047uF 16V K		C873	NCJ11EK-106X-R	C CAPACITOR	10uF 25V	
C323	QEKC1EM-106Z	E CAPACITOR	10uF 25V M		C873	or NCJ11EK-106X-A	C CAPACITOR	10uF 25V K	
C325	NBE21AM-226X	TA E CAPACITOR	22uF 10V M		C874	NCJ11EK-106X-R	C CAPACITOR	10uF 25V	
C341	NCB31CK-105X	C CAPACITOR	1uF 16V K		C874	or NCJ11EK-106X-A	C CAPACITOR	10uF 25V K	
C342	NCB31CK-105X	C CAPACITOR	1uF 16V K		C875	NCB31HK-103X	C CAPACITOR	0.01uF 50V K	
C343	NCB31CK-104X	C CAPACITOR	0.1uF 16V K		C876	QEZO595-477Z	E CAPACITOR	470uF	
C344	NCB31CK-104X	C CAPACITOR	0.1uF 16V K		C877	NCB31HK-103X	C CAPACITOR	0.01uF 50V K	
C351	QERF1EM-475Z	E CAPACITOR	4.7uF 25V M		C881	QETN1CM-107Z	E CAPACITOR	100uF 16V M	
C352	NCB31HK-102X	C CAPACITOR	1000pF 50V K		C882	NCB31CK-473X	C CAPACITOR	0.047uF 16V K	
C361	QERF1EM-475Z	E CAPACITOR	4.7uF 25V M		C901	QEZO723-338	E CAPACITOR	3300uF	
C362	NCB31CK-223X	C CAPACITOR	0.022uF 50V K		C902	QERF1HM-225Z	E CAPACITOR	2.2uF 50V M	
C363	NDC31HJ-101X	C CAPACITOR	100pF 50V J		C941	NDC31HJ-220X	C CAPACITOR	22pF 50V J	
C371	NCB31HK-103X	C CAPACITOR	0.01uF 50V K		C942	NCB31CK-473X	C CAPACITOR	0.047uF 16V K	
C372	QEKC1EM-106Z	E CAPACITOR	10uF 25V M		C943	NDC31HJ-220X	C CAPACITOR	22pF 50V J	
C373	QEKC1EM-106Z	E CAPACITOR	10uF 25V M		C951	QERF1HM-104Z	E CAPACITOR	0.1uF 50V M	
C374	NCB31HK-103X	C CAPACITOR	0.01uF 50V K		C968	QETN1CM-107Z	E CAPACITOR	100uF 16V M	
C375	QETN1EM-476Z	E CAPACITOR	47uF 25V M		C971	NCB31CK-104X	C CAPACITOR	0.1uF 16V K	
C376	QETN1HM-226Z	E CAPACITOR	22uF 50V M		C972	NCB31CK-104X	C CAPACITOR	0.1uF 16V K	
C377	QETN1HM-225Z	E CAPACITOR	2.2uF 50V M		C973	NCB31HK-102X	C CAPACITOR	1000pF 50V K	
C378	QEKC1EM-106Z	E CAPACITOR	10uF 25V M		C974	NCB31HK-102X	C CAPACITOR	1000pF 50V K	
C381	QEKC1HM-475Z	E CAPACITOR	4.7uF 50V M		C981	NCB31CK-104X	C CAPACITOR	0.1uF 16V K	
C382	QEKC1HM-475Z	E CAPACITOR	4.7uF 50V M		C982	NCB31CK-104X	C CAPACITOR	0.1uF 16V K	
C383	NDC31HJ-221X	C CAPACITOR	220pF 50V J		C7350	QEKC1HM-475Z	E CAPACITOR	4.7uF 50V M	
C384	NDC31HJ-221X	C CAPACITOR	220pF 50V J		C7352	NDC31HJ-221X	C CAPACITOR	220pF 50V J	
C386	QETN1HM-106Z	E CAPACITOR	10uF 50V M		C7353	NDC31HJ-470X	C CAPACITOR	47pF 50V J	
C387	NCB31HK-103X	C CAPACITOR	0.01uF 50V K		C7354	NCB31HK-472X	C CAPACITOR	4700pF 50V K	
C701	NCB31CK-473X	C CAPACITOR	0.047uF 16V K		C7355	QERF1HM-224Z	E CAPACITOR	0.22uF 50V M	
C703	NCB31HK-471X	C CAPACITOR	470pF 50V K		C7357	NCB31HK-103X	C CAPACITOR	0.01uF 50V K	
C704	NCB31HK-471X	C CAPACITOR	470pF 50V K		C7358	QETN1HM-106Z	E CAPACITOR	10uF 50V M	
C706	NDC31HJ-8R0X	C CAPACITOR	8pF 50V J		C7359	QETN1HM-106Z	E CAPACITOR	10uF 50V M	
C707	NDC31HJ-270X	C CAPACITOR	27pF 50V J		C9101	NCB11CK-225X	C CAPACITOR	2.2uF 16V K	
C708	NDC31HJ-270X	C CAPACITOR	27pF 50V J		C9102	NCB31HK-103X	C CAPACITOR	0.01uF 50V K	
C709	NDC31HJ-220X	C CAPACITOR	22pF 50V J		C9104	NCJ11EK-106X-R	C CAPACITOR	10uF 25V	
C710	QETN0JM-108Z	E CAPACITOR	1000uF 6.3V M		C9104	or NCJ11EK-106X-A	C CAPACITOR	10uF 25V K	
C711	NCB31CK-104X	C CAPACITOR	0.1uF 16V K		C9105	NCB31CK-105X	C CAPACITOR	1uF 16V K	
C712	NCB31HK-102X	C CAPACITOR	1000pF 50V K		C9106	NCB31HK-103X	C CAPACITOR	0.01uF 50V K	
C713	NDC31HJ-101X	C CAPACITOR	100pF 50V J		C9107	NCS31HJ-271X	C CAPACITOR	270pF 50V J	
C721	NCB31HK-471X	C CAPACITOR	470pF 50V K		C9109	NCB11CK-225X	C CAPACITOR	2.2uF 16V K	
C731	NCB31HK-103X	C CAPACITOR	0.01uF 50V K		C9110	QETN1CM-107Z	E CAPACITOR	100uF 16V M	
C732	QETN1AM-476Z	E CAPACITOR	47uF 10V M		C9111	NCF21HZ-105X	C CAPACITOR	1uF 50V Z	
C733	NCB31CK-104X	C CAPACITOR	0.1uF 16V K		C9201	NCF21CZ-105X	C CAPACITOR	1uF 16V Z	
C734	NCB31HK-331X	C CAPACITOR	330pF 50V K		C9202	NCF21HZ-105X	C CAPACITOR	1uF 50V Z	
C741	NCB31HK-103X	C CAPACITOR	0.01uF 50V K		C9203	NCF31EZ-104X	C CAPACITOR	0.1uF 25V Z	
C801	QERF1CM-106Z	E CAPACITOR	10uF 16V M		C9204	NCF21HZ-105X	C CAPACITOR	1uF 50V Z	
C802	NCB31CK-104X	C CAPACITOR	0.1uF 16V K		C9205	QETN1EM-107Z	E CAPACITOR	100uF 25V M	
C803	QERF1AM-227Z	E CAPACITOR	220uF 10V M		C9301	NCB31CK-105X	C CAPACITOR	1uF 16V K	
C804	NCB31CK-104X	C CAPACITOR	0.1uF 16V K		C9302	NCB31CK-105X	C CAPACITOR	1uF 16V K	
C805	NCB31HK-103X	C CAPACITOR	0.01uF 50V K		C9304	NCB31CK-105X	C CAPACITOR	1uF 16V K	
C806	QERF1AM-227Z	E CAPACITOR	220uF 10V M		C9305	QETN1CM-107Z	E CAPACITOR	100uF 16V M	
C807	QERF1CM-226Z	E CAPACITOR	22uF 16V M		C9401	NCF31CZ-104X	C CAPACITOR	0.1uF 16V Z	
C808	NCB31HK-102X	C CAPACITOR	1000pF 50V K		C9402	NCB31CK-105X	C CAPACITOR	1uF 16V K	
C809	NCB31CK-104X	C CAPACITOR	0.1uF 16V K		C9403	QETN1EM-476Z	E CAPACITOR	47uF 25V M	
C811	QERF1CM-226Z	E CAPACITOR	22uF 16V M						
C821	QETN1CM-107Z	E CAPACITOR	100uF 16V M		R2	NRSA63J-6R8X	MG RESISTOR	6.8Ω 1/16W J	
C822	QETN1AM-227Z	E CAPACITOR	220uF 10V M		R3	NRSA63J-6R8X	MG RESISTOR	6.8Ω 1/16W J	
C823	NCB31CK-104X	C CAPACITOR	0.1uF 16V K		R4	NRSA63J-223X	MG RESISTOR	22kΩ 1/16W J	
C824	NCB31HK-472X	C CAPACITOR	4700pF 50V K		R5	NRSA63J-102X	MG RESISTOR	1kΩ 1/16W J	
C827	QEZO595-477Z	E CAPACITOR	470uF		R6	NRSA63J-0R0X	MG RESISTOR	0Ω 1/16W J	
C828	QEZO595-477Z	E CAPACITOR	470uF		R8	NRSA63J-332X	MG RESISTOR	3.3kΩ 1/16W J	
C829	NCB31CK-104X	C CAPACITOR	0.1uF 16V K		R11	NRSA63J-474X	MG RESISTOR	470kΩ 1/16W J	
C830	NCB31CK-105X	C CAPACITOR	1uF 16V K		R12	NRSA63J-474X	MG RESISTOR	470kΩ 1/16W J	
C831	QETN1AM-227Z	E CAPACITOR	220uF 10V M		R13	NRSA63J-332X	MG RESISTOR	3.3kΩ 1/16W J	
C832	NCB31HK-103X	C CAPACITOR	0.01uF 50V K		R14	NRSA63J-121X	MG RESISTOR	120Ω 1/16W J	
C834	NCB31HK-103X	C CAPACITOR	0.01uF 50V K		R15	NRSA63J-0R0X	MG RESISTOR	0Ω 1/16W J	
C838	NCB31HK-103X	C CAPACITOR	0.01uF 50V K		R16	NRSA63J-0R0X	MG RESISTOR	0Ω 1/16W J	
C841	QETN1EM-476Z	E CAPACITOR	47uF 25V M		R51	NRSA63J-0R0X	MG RESISTOR	0Ω 1/16W J	
C842	NBE41AM-476X	TA E CAPACITOR	47uF 10V M		R52	NRSA63J-0R0X	MG RESISTOR	0Ω 1/16W J	





△ Symbol No.	Part No.	Part Name	Description	Local	△ Symbol No.	Part No.	Part Name	Description	Local
R784	NRSA63J-822X	MG RESISTOR	8.2kΩ 1/16W J		R954	NRSA63J-392X	MG RESISTOR	3.9kΩ 1/16W J	
R787	NRSA63J-393X	MG RESISTOR	39kΩ 1/16W J		R955	NRSA63J-183X	MG RESISTOR	18kΩ 1/16W J	
R789	NRSA63J-222X	MG RESISTOR	2.2kΩ 1/16W J		R956	NRSA63J-563X	MG RESISTOR	56kΩ 1/16W J	
R790	NRSA63J-103X	MG RESISTOR	10kΩ 1/16W J		R959	NRSA63J-102X	MG RESISTOR	1kΩ 1/16W J	
R791	NRSA63J-822X	MG RESISTOR	8.2kΩ 1/16W J		R961	NRSA63J-0R0X	MG RESISTOR	0Ω 1/16W J	
R792	NRSA63J-822X	MG RESISTOR	8.2kΩ 1/16W J		R963	NRSA63J-0R0X	MG RESISTOR	0Ω 1/16W J	
R793	NRSA63J-822X	MG RESISTOR	8.2kΩ 1/16W J		R964	NRSA63J-0R0X	MG RESISTOR	0Ω 1/16W J	
R794	NRSA63J-104X	MG RESISTOR	100kΩ 1/16W J		R969	NRSA63J-0R0X	MG RESISTOR	0Ω 1/16W J	
R795	NRSA63J-102X	MG RESISTOR	1kΩ 1/16W J		R972	NRSA63J-0R0X	MG RESISTOR	0Ω 1/16W J	
R796	NRSA63J-222X	MG RESISTOR	2.2kΩ 1/16W J		R973	NRSA63J-0R0X	MG RESISTOR	0Ω 1/16W J	
R797	NRSA63J-222X	MG RESISTOR	2.2kΩ 1/16W J		R974	NRSA63J-0R0X	MG RESISTOR	0Ω 1/16W J	
R798	NRSA63J-220X	MG RESISTOR	22Ω 1/16W J		R976	NRSA63J-473X	MG RESISTOR	47kΩ 1/16W J	
R801	NRSA63J-562X	MG RESISTOR	5.6kΩ 1/16W J		R977	NRSA63J-473X	MG RESISTOR	47kΩ 1/16W J	
R803	NRSA63J-102X	MG RESISTOR	1kΩ 1/16W J		R978	NRSA63J-473X	MG RESISTOR	47kΩ 1/16W J	
R804	NRSA63J-103X	MG RESISTOR	10kΩ 1/16W J		R979	NRSA63J-0R0X	MG RESISTOR	0Ω 1/16W J	
R806	NRSA63J-0R0X	MG RESISTOR	0Ω 1/16W J		R981	NRS181J-222X	MG RESISTOR	2.2kΩ 1/8W J	
R807	NRS144J-220X	MG RESISTOR	22Ω 1/4W J		R982	NRS181J-222X	MG RESISTOR	2.2kΩ 1/8W J	
R808	NRS144J-220X	MG RESISTOR	22Ω 1/4W J		R983	NRS181J-472X	MG RESISTOR	4.7kΩ 1/8W J	
R821	NRSA63J-0R0X	MG RESISTOR	0Ω 1/16W J		R984	NRSA63J-0R0X	MG RESISTOR	0Ω 1/16W J	
R822	NRSA63J-104X	MG RESISTOR	100kΩ 1/16W J		R7001	NRSA63J-102X	MG RESISTOR	1kΩ 1/16W J	
R823	NRSA63J-124X	MG RESISTOR	120kΩ 1/16W J		R7002	NRSA63J-102X	MG RESISTOR	1kΩ 1/16W J	
R824	NRSA63J-123X	MG RESISTOR	12kΩ 1/16W J		R7003	NRSA63J-102X	MG RESISTOR	1kΩ 1/16W J	
R825	NRSA63J-393X	MG RESISTOR	39kΩ 1/16W J		R7004	NRSA63J-102X	MG RESISTOR	1kΩ 1/16W J	
R826	NRSA63J-393X	MG RESISTOR	39kΩ 1/16W J		R7006	NRSA63J-473X	MG RESISTOR	47kΩ 1/16W J	
R828	NRSA63J-223X	MG RESISTOR	22kΩ 1/16W J		R7007	NRSA63J-103X	MG RESISTOR	10kΩ 1/16W J	
R829	NRSA63J-471X	MG RESISTOR	470Ω 1/16W J		R7008	NRSA63J-223X	MG RESISTOR	22kΩ 1/16W J	
R830	NRSA63J-103X	MG RESISTOR	10kΩ 1/16W J		R7009	NRSA63J-223X	MG RESISTOR	22kΩ 1/16W J	
R833	NRSA63J-471X	MG RESISTOR	470Ω 1/16W J		R7011	NRSA63J-102X	MG RESISTOR	1kΩ 1/16W J	
R836	NRSA63J-473X	MG RESISTOR	47kΩ 1/16W J		R7012	NRSA63J-103X	MG RESISTOR	10kΩ 1/16W J	
R837	NRSA63J-222X	MG RESISTOR	2.2kΩ 1/16W J		R7106	NRSA63J-0R0X	MG RESISTOR	0Ω 1/16W J	
R841	NRSA63J-471X	MG RESISTOR	470Ω 1/16W J		R7107	NRSA63J-0R0X	MG RESISTOR	0Ω 1/16W J	
R842	NRSA63J-471X	MG RESISTOR	470Ω 1/16W J		R7108	NRSA63J-104X	MG RESISTOR	100kΩ 1/16W J	
R843	NRSA63J-471X	MG RESISTOR	470Ω 1/16W J		R7206	NRSA63J-0R0X	MG RESISTOR	0Ω 1/16W J	
R844	NRSA63J-473X	MG RESISTOR	47kΩ 1/16W J		R7207	NRSA63J-0R0X	MG RESISTOR	0Ω 1/16W J	
R845	NRSA63J-102X	MG RESISTOR	1kΩ 1/16W J		R7351	NRSA63J-103X	MG RESISTOR	10kΩ 1/16W J	
R847	NRSA63J-473X	MG RESISTOR	47kΩ 1/16W J		R7352	NRSA63J-683X	MG RESISTOR	68kΩ 1/16W J	
R848	NRSA63J-103X	MG RESISTOR	10kΩ 1/16W J		R7355	NRSA63J-394X	MG RESISTOR	390kΩ 1/16W J	
R849	NRSA63J-473X	MG RESISTOR	47kΩ 1/16W J		R7356	NRSA63J-124X	MG RESISTOR	120kΩ 1/16W J	
R850	NRSA63J-472X	MG RESISTOR	4.7kΩ 1/16W J		R7357	NRSA63J-0R0X	MG RESISTOR	0Ω 1/16W J	
R851	NRSA63J-0R0X	MG RESISTOR	0Ω 1/16W J		R7358	NRSA63J-124X	MG RESISTOR	120kΩ 1/16W J	
R852	NRSA63J-103X	MG RESISTOR	10kΩ 1/16W J		R7359	NRSA63J-394X	MG RESISTOR	390kΩ 1/16W J	
R853	NRSA63J-473X	MG RESISTOR	47kΩ 1/16W J		R7360	NRSA63J-104X	MG RESISTOR	100kΩ 1/16W J	
R857	NRSA63J-0R0X	MG RESISTOR	0Ω 1/16W J		R7361	NRSA63J-683X	MG RESISTOR	68kΩ 1/16W J	
R858	NRSA63J-0R0X	MG RESISTOR	0Ω 1/16W J		R7363	NRSA63J-0R0X	MG RESISTOR	0Ω 1/16W J	
R859	NRSA63J-104X	MG RESISTOR	100kΩ 1/16W J		R7364	NRSA63J-223X	MG RESISTOR	22kΩ 1/16W J	
R861	NRSA63J-0R0X	MG RESISTOR	0Ω 1/16W J		R7365	NRSA63J-223X	MG RESISTOR	22kΩ 1/16W J	
R862	NRSA63J-103X	MG RESISTOR	10kΩ 1/16W J		R7366	NRSA63J-472X	MG RESISTOR	4.7kΩ 1/16W J	
R863	NRSA63J-104X	MG RESISTOR	100kΩ 1/16W J		R7367	NRSA63J-223X	MG RESISTOR	22kΩ 1/16W J	
R864	NRSA63J-103X	MG RESISTOR	10kΩ 1/16W J		R7368	NRSA63J-223X	MG RESISTOR	22kΩ 1/16W J	
R865	NRSA63J-104X	MG RESISTOR	100kΩ 1/16W J		R7369	NRSA63J-223X	MG RESISTOR	22kΩ 1/16W J	
R870	NRSA63J-103X	MG RESISTOR	10kΩ 1/16W J		R7370	NRSA63J-223X	MG RESISTOR	22kΩ 1/16W J	
R871	NRSA63J-124X	MG RESISTOR	120kΩ 1/16W J		R7371	NRSA63J-104X	MG RESISTOR	100kΩ 1/16W J	
R872	NRSA63J-124X	MG RESISTOR	120kΩ 1/16W J		R7373	NRSA63J-223X	MG RESISTOR	22kΩ 1/16W J	
R873	NRSA63J-123X	MG RESISTOR	12kΩ 1/16W J		R7374	NRSA63J-223X	MG RESISTOR	22kΩ 1/16W J	
R875	NRSA63J-184X	MG RESISTOR	180kΩ 1/16W J		R9102	NRSA63J-0R0X	MG RESISTOR	0Ω 1/16W J	
R876	NRSA63J-333X	MG RESISTOR	33kΩ 1/16W J		R9103	NRSA63F-154X	MG RESISTOR	150kΩ 1/16W F	
R877	NRSA63J-0R0X	MG RESISTOR	0Ω 1/16W J		R9104	NRSA63F-123X	MG RESISTOR	12kΩ 1/16W F	
R879	NRSA63J-393X	MG RESISTOR	39kΩ 1/16W J		R9105	NRSA63F-474X	MG RESISTOR	470kΩ 1/16W F	
R880	NRSA63J-103X	MG RESISTOR	10kΩ 1/16W J		R9106	NRSA63J-273X	MG RESISTOR	27kΩ 1/16W J	
R881	NRSA63J-102X	MG RESISTOR	1kΩ 1/16W J		R9108	NRSA63J-0R0X	MG RESISTOR	0Ω 1/16W J	
R882	NRSA63J-222X	MG RESISTOR	2.2kΩ 1/16W J		R9111	QRE123J-221X	C RESISTOR	220Ω 1/2W J	
R901	QRE142J-102X	C RESISTOR	1kΩ 1/4W J		R9112	QRE123J-221X	C RESISTOR	220Ω 1/2W J	
R902	NRSA63J-912X	MG RESISTOR	9.1kΩ 1/16W J		R9113	NRSA63J-332X	MG RESISTOR	3.3kΩ 1/16W J	
R903	NRSA63J-472X	MG RESISTOR	4.7kΩ 1/16W J		R9114	NRSA63J-223X	MG RESISTOR	22kΩ 1/16W J	
R911	NRSA63J-0R0X	MG RESISTOR	0Ω 1/16W J		R9201	NRSA63J-0R0X	MG RESISTOR	0Ω 1/16W J	
R940	NRSA63J-473X	MG RESISTOR	47kΩ 1/16W J		R9202	NRSA63J-472X	MG RESISTOR	4.7kΩ 1/16W J	
R941	NRSA63J-473X	MG RESISTOR	47kΩ 1/16W J		R9304	NRSA63J-0R0X	MG RESISTOR	0Ω 1/16W J	
R942	NRSA63J-101X	MG RESISTOR	100Ω 1/16W J		R9402	NRSA63J-332X	MG RESISTOR	3.3kΩ 1/16W J	
R943	NRSA63J-223X	MG RESISTOR	22kΩ 1/16W J		RA701	NRZ0065-102X	NET RESISTOR	1kΩ 1/16W J	
R944	NRSA63J-104X	MG RESISTOR	100kΩ 1/16W J						
R945	NRSA63J-103X	MG RESISTOR	10kΩ 1/16W J		L1	NQL334J-4R7X	COIL	4.7uH J	
R946	NRSA63J-104X	MG RESISTOR	100kΩ 1/16W J		L702	NQL79GM-100X	COIL	10uH M	
R947	NRSA63J-331X	MG RESISTOR	330Ω 1/16W J		L822	NQL63EM-470X	COIL	47uH M	
R948	NRSA63J-223X	MG RESISTOR	22kΩ 1/16W J		L824	NQL79GM-220X	COIL	22uH M	
R949	NRSA63J-101X	MG RESISTOR	100Ω 1/16W J		L825	NQL79GM-220X	COIL	22uH M	
R951	NRSA63J-392X	MG RESISTOR	3.9kΩ 1/16W J		L826	NQL79GM-220X	COIL	22uH M	
R952	NRSA63J-392X	MG RESISTOR	3.9kΩ 1/16W J		L827	NQL79GM-220X	COIL	22uH M	
R953	NRSA63J-392X	MG RESISTOR	3.9kΩ 1/16W J		L828	NQL79GM-220X	COIL	22uH M	

△ Symbol No.	Part No.	Part Name	Description	Local	△ Symbol No.	Part No.	Part Name	Description	Local
L873	NQL63EM-470X	COIL	47uH M		C2001	NCB31HK-392X	C CAPACITOR	3900pF 50V K	
L901	QQR0703-001	CHOKO COIL			C2002	NDC31HJ-471X	C CAPACITOR	470pF 50V J	
L961	NQL52EM-220X	COIL	22uH M		C2003	NCB31HK-471X	C CAPACITOR	470pF 50V K	
L9101	NQL79GM-100X	COIL	10uH M		C2101	NCB31HK-392X	C CAPACITOR	3900pF 50V K	
L9103	NQL52EM-100X	COIL	10uH M		C2102	NCB31HK-471X	C CAPACITOR	470pF 50V K	
L9104	NQL79GM-220X	COIL	22uH M		C2103	NCB31HK-471X	C CAPACITOR	470pF 50V K	
L9201	NQL79GM-220X	COIL	22uH M		C2201	NCB31HK-392X	C CAPACITOR	3900pF 50V K	
L9301	NQL79GM-220X	COIL	22uH M		C2202	NCB31HK-471X	C CAPACITOR	470pF 50V K	
L9401	NQL79GM-220X	COIL	22uH M		C2203	NCB31HK-471X	C CAPACITOR	470pF 50V K	
BZ951	QAN0023-001Z	BUZZER			C3002	NBE41AM-476X	TA E CAPACITOR	47uF 10V M	
CN351	QNN0775-001	PIN JACK			C3003	NCB31CK-104X	C CAPACITOR	0.1uF 16V K	
CN352	QNN0774-001	PIN JACK			C3006	NCB31CK-104X	C CAPACITOR	0.1uF 16V K	
CN701	QGB1004K2-24W	CONNECTOR	B-B (1-24)		C3007	NBE41AM-476X	TA E CAPACITOR	47uF 10V M	
CN702	QGF0522F3-45W	CONNECTOR	FFC/FPC (1-45)		C3008	NCB31CK-104X	C CAPACITOR	0.1uF 16V K	
CN703	QGF0534F3-24X	CONNECTOR	FFC/FPC (1-24)		C3009	NBE41AM-476X	TA E CAPACITOR	47uF 10V M	
CN799	QGA1002F1-08X	CONNECTOR	W-B (1-8)		C3010	NBE41CM-226X	TA E CAPACITOR	22uF 16V M	
CN820	QJL012-021202-E	SIN CR B-B WIRE			C3011	NCB31CK-104X	C CAPACITOR	0.1uF 16V K	
CN860	QNZ0095-001	CONNECTOR			C3101	NCB31HK-331X	C CAPACITOR	330pF 50V K	
CN901	QNZ0090-001	CAR CONNECTOR			C3102	NBE41AM-476X	TA E CAPACITOR	47uF 10V M	
F901	QMFZ039-150-T	FUSE	15A		C3103	NCB31CK-104X	C CAPACITOR	0.1uF 16V K	
J1	QNB0100-002	CAR ANT JACK			C3106	NCB31CK-104X	C CAPACITOR	0.1uF 16V K	
K301	NRSA63J-0R0X	MG RESISTOR	0Ω 1/16W J		C3107	NBE41AM-476X	TA E CAPACITOR	47uF 10V M	
K303	NRSA63J-0R0X	MG RESISTOR	0Ω 1/16W J		C3108	NCB31CK-104X	C CAPACITOR	0.1uF 16V K	
K304	NRSA63J-0R0X	MG RESISTOR	0Ω 1/16W J		C3109	NBE41AM-476X	TA E CAPACITOR	47uF 10V M	
K305	NQR0251-001X	FERRITE BEADS			C3110	NBE41CM-226X	TA E CAPACITOR	22uF 16V M	
K306	NQR0251-001X	FERRITE BEADS			C3111	NCB31CK-104X	C CAPACITOR	0.1uF 16V K	
K307	NQR0251-001X	FERRITE BEADS			C3202	NBE41AM-476X	TA E CAPACITOR	47uF 10V M	
K308	NQR0251-001X	FERRITE BEADS			C3203	NCB31CK-104X	C CAPACITOR	0.1uF 16V K	
K309	NQR0251-001X	FERRITE BEADS			C3206	NCB31CK-104X	C CAPACITOR	0.1uF 16V K	
K310	NQR0251-001X	FERRITE BEADS			C3207	NBE41AM-476X	TA E CAPACITOR	47uF 10V M	
K701	NQR0022-005X	FERRITE BEADS			C3208	NCB31CK-104X	C CAPACITOR	0.1uF 16V K	
PP701	QZW0010-001	STYLE PIN			C3209	NBE41AM-476X	TA E CAPACITOR	47uF 10V M	
TH721	NAD0028-103X	N THERMISTOR	10kΩ		C3210	NBE41CM-226X	TA E CAPACITOR	22uF 16V M	
TU1	QAU0451-002	TUNER			C3211	NCB31CK-104X	C CAPACITOR	0.1uF 16V K	
X701	QAX0617-001Z	CRYSTAL	12.500MHz		C3401	NCB31HK-103X	C CAPACITOR	0.01uF 50V K	
X702	QAX0401-001	CRYSTAL	32.768KHz		C3505	NCB31HK-102X	C CAPACITOR	1000pF 50V K	
					C3506	NCB31HK-102X	C CAPACITOR	1000pF 50V K	
					C3507	NBE41AM-476X	TA E CAPACITOR	47uF 10V M	
					C3508	NCB31CK-104X	C CAPACITOR	0.1uF 16V K	
					C3604	NCB31HK-102X	C CAPACITOR	1000pF 50V K	
					C3605	NBE41AM-476X	TA E CAPACITOR	47uF 10V M	
					C3606	NBE41CM-226X	TA E CAPACITOR	22uF 16V M	
					C3607	NBE41CM-226X	TA E CAPACITOR	22uF 16V M	
					C3608	NBE41AM-476X	TA E CAPACITOR	47uF 10V M	

## Connection board (Only KW-AVX701UN)

Block No. [0][6]

△ Symbol No.	Part No.	Part Name	Description	Local	△ Symbol No.	Part No.	Part Name	Description	Local
IC38	CPI-210-X	PHOTO COUPLER			R1001	NRSA63J-472X	MG RESISTOR	4.7kΩ 1/16W J	
IC301	AK4385ET-X	IC			R1002	NRSA63J-472X	MG RESISTOR	4.7kΩ 1/16W J	
IC302	NJM4565V-X	IC			R1003	NRSA63J-223X	MG RESISTOR	22kΩ 1/16W J	
IC311	AK4385ET-X	IC			R1004	NRSA63J-472X	MG RESISTOR	4.7kΩ 1/16W J	
IC312	NJM4565V-X	IC			R1005	NRSA63J-101X	MG RESISTOR	100Ω 1/16W J	
IC321	AK4385ET-X	IC			R1006	NRSA63J-101X	MG RESISTOR	100Ω 1/16W J	
IC322	NJM4565V-X	IC			R1007	NRSA63J-472X	MG RESISTOR	4.7kΩ 1/16W J	
Q3401	2SC3928A/QR/-X	TRANSISTOR			R1008	NRSA63J-223X	MG RESISTOR	22kΩ 1/16W J	
Q3402	CPT-230S-C-X	PHOTO TRANSISTOR			R1009	NRSA63J-0R0X	MG RESISTOR	0Ω 1/16W J	
Q3701	2SC3928A/QR/-X	TRANSISTOR			R1101	NRSA63J-472X	MG RESISTOR	4.7kΩ 1/16W J	
Q3702	2SC3928A/QR/-X	TRANSISTOR			R1102	NRSA63J-472X	MG RESISTOR	4.7kΩ 1/16W J	
Q3801	2SC3928A/QR/-X	TRANSISTOR			R1103	NRSA63J-223X	MG RESISTOR	22kΩ 1/16W J	
D3401	MA111-X	SI DIODE			R1104	NRSA63J-472X	MG RESISTOR	4.7kΩ 1/16W J	
D3501	MA111-X	SI DIODE			R1105	NRSA63J-101X	MG RESISTOR	100Ω 1/16W J	
D3501	or 1SS355-X	DIODE C.M			R1106	NRSA63J-101X	MG RESISTOR	100Ω 1/16W J	
D3701	SML-311DT/HJK/X	LED			R1107	NRSA63J-472X	MG RESISTOR	4.7kΩ 1/16W J	
D3702	SML-311DT/HJK/X	LED			R1108	NRSA63J-223X	MG RESISTOR	22kΩ 1/16W J	
D3703	SML-311DT/HJK/X	LED			R1109	NRSA63J-0R0X	MG RESISTOR	0Ω 1/16W J	
C1001	NCB31HK-392X	C CAPACITOR	3900pF 50V K		R1201	NRSA63J-472X	MG RESISTOR	4.7kΩ 1/16W J	
C1002	NDC31HJ-471X	C CAPACITOR	470pF 50V J		R1202	NRSA63J-472X	MG RESISTOR	4.7kΩ 1/16W J	
C1003	NCB31HK-471X	C CAPACITOR	470pF 50V K		R1203	NRSA63J-223X	MG RESISTOR	22kΩ 1/16W J	
C1101	NCB31HK-392X	C CAPACITOR	3900pF 50V K		R1204	NRSA63J-472X	MG RESISTOR	4.7kΩ 1/16W J	
C1102	NCB31HK-471X	C CAPACITOR	470pF 50V K		R1205	NRSA63J-101X	MG RESISTOR	100Ω 1/16W J	
C1103	NCB31HK-471X	C CAPACITOR	470pF 50V K		R1206	NRSA63J-101X	MG RESISTOR	100Ω 1/16W J	
C1201	NCB31HK-392X	C CAPACITOR	3900pF 50V K		R1207	NRSA63J-472X	MG RESISTOR	4.7kΩ 1/16W J	
C1202	NCB31HK-471X	C CAPACITOR	470pF 50V K		R1208	NRSA63J-223X	MG RESISTOR	22kΩ 1/16W J	
C1203	NCB31HK-471X	C CAPACITOR	470pF 50V K		R1209	NRSA63J-0R0X	MG RESISTOR	0Ω 1/16W J	
					R1601	NRSA63J-0R0X	MG RESISTOR	0Ω 1/16W J	
					R2001	NRSA63J-472X	MG RESISTOR	4.7kΩ 1/16W J	
					R2002	NRSA63J-472X	MG RESISTOR	4.7kΩ 1/16W J	
					R2003	NRSA63J-223X	MG RESISTOR	22kΩ 1/16W J	
					R2004	NRSA63J-472X	MG RESISTOR	4.7kΩ 1/16W J	
					R2005	NRSA63J-101X	MG RESISTOR	100Ω 1/16W J	

△ Symbol No.	Part No.	Part Name	Description	Local	△ Symbol No.	Part No.	Part Name	Description	Local
R2006	NRSA63J-101X	MG RESISTOR	100Ω 1/16W J		R3726	NRSA63J-0R0X	MG RESISTOR	0Ω 1/16W J	
R2007	NRSA63J-472X	MG RESISTOR	4.7kΩ 1/16W J		R3802	NRSA63J-471X	MG RESISTOR	470Ω 1/16W J	
R2008	NRSA63J-223X	MG RESISTOR	22kΩ 1/16W J		R3803	NRSA63J-104X	MG RESISTOR	100kΩ 1/16W J	
R2009	NRSA63J-0R0X	MG RESISTOR	0Ω 1/16W J		R3804	NRSA63J-102X	MG RESISTOR	1kΩ 1/16W J	
R2101	NRSA63J-472X	MG RESISTOR	4.7kΩ 1/16W J		R3805	NRSA63J-222X	MG RESISTOR	2.2kΩ 1/16W J	
R2102	NRSA63J-472X	MG RESISTOR	4.7kΩ 1/16W J		R3806	NRSA63J-682X	MG RESISTOR	6.8kΩ 1/16W J	
R2103	NRSA63J-223X	MG RESISTOR	22kΩ 1/16W J		R3808	NRSA63J-333X	MG RESISTOR	33kΩ 1/16W J	
R2104	NRSA63J-472X	MG RESISTOR	4.7kΩ 1/16W J		R3809	NRSA63J-333X	MG RESISTOR	33kΩ 1/16W J	
R2105	NRSA63J-101X	MG RESISTOR	100Ω 1/16W J		R3810	NRSA63J-151X	MG RESISTOR	150Ω 1/16W J	
R2106	NRSA63J-101X	MG RESISTOR	100Ω 1/16W J		L3501	NQL79GM-220X	COIL	22uH M	
R2107	NRSA63J-472X	MG RESISTOR	4.7kΩ 1/16W J		CN301	QGF0534F3-60X	CONNECTOR	FFC/FPC (1-60)	
R2108	NRSA63J-223X	MG RESISTOR	22kΩ 1/16W J		CN302	QGA1002F1-03X	CONNECTOR	W-B (1-3)	
R2109	NRSA63J-0R0X	MG RESISTOR	0Ω 1/16W J		CN303	QGF0523F2-10W	CONNECTOR	FFC/FPC (1-10)	
R2201	NRSA63J-472X	MG RESISTOR	4.7kΩ 1/16W J		CN304	NNZ0104-001X	SD CARD CONNE		
R2202	NRSA63J-472X	MG RESISTOR	4.7kΩ 1/16W J		CN305	QGF0522F3-45W	CONNECTOR	FFC/FPC (1-45)	
R2203	NRSA63J-223X	MG RESISTOR	22kΩ 1/16W J		CN371	QGF0522F3-40W	CONNECTOR	FFC/FPC (1-40)	
R2204	NRSA63J-472X	MG RESISTOR	4.7kΩ 1/16W J		CN372	QGB1004J2-18X	CONNECTOR	B-B (1-18)	
R2205	NRSA63J-101X	MG RESISTOR	100Ω 1/16W J		CN373	QGB1004J2-24X	CONNECTOR	B-B (1-24)	
R2206	NRSA63J-101X	MG RESISTOR	100Ω 1/16W J		CN374	QGA1002C1-06X	CONNECTOR	W-B (1-6)	
R2207	NRSA63J-472X	MG RESISTOR	4.7kΩ 1/16W J		CN375	QGF0522F3-06W	CONNECTOR	FFC/FPC (1-6)	
R2208	NRSA63J-223X	MG RESISTOR	22kΩ 1/16W J		CN381	QGA1002C1-06X	CONNECTOR	W-B (1-6)	
R2209	NRSA63J-0R0X	MG RESISTOR	0Ω 1/16W J		CN382	QGA1002F1-02X	CONNECTOR	W-B (1-2)	
R2601	NRSA63J-0R0X	MG RESISTOR	0Ω 1/16W J		K3002	NQR0022-005X	FERRITE BEADS		
R3005	NRSA63J-100X	MG RESISTOR	10Ω 1/16W J		K3102	NQR0022-005X	FERRITE BEADS		
R3006	NRSA63J-102X	MG RESISTOR	1kΩ 1/16W J		K3202	NQR0022-005X	FERRITE BEADS		
R3007	NRSA63J-102X	MG RESISTOR	1kΩ 1/16W J		K3501	NQR0022-002X	FERRITE BEADS		
R3008	NRSA63J-102X	MG RESISTOR	1kΩ 1/16W J		K3502	NQR0022-002X	FERRITE BEADS		
R3009	NRSA63J-102X	MG RESISTOR	1kΩ 1/16W J		K3503	NQR0022-002X	FERRITE BEADS		
R3101	NRSA63J-473X	MG RESISTOR	47kΩ 1/16W J		K3504	NQR0022-002X	FERRITE BEADS		
R3105	NRSA63J-100X	MG RESISTOR	10Ω 1/16W J		K3507	NQR0022-002X	FERRITE BEADS		
R3106	NRSA63J-102X	MG RESISTOR	1kΩ 1/16W J		K3508	NRSA63J-0R0X	MG RESISTOR	0Ω 1/16W J	
R3107	NRSA63J-102X	MG RESISTOR	1kΩ 1/16W J		K3509	NQR0022-002X	FERRITE BEADS		
R3108	NRSA63J-102X	MG RESISTOR	1kΩ 1/16W J		K3510	NQR0022-002X	FERRITE BEADS		
R3109	NRSA63J-102X	MG RESISTOR	1kΩ 1/16W J		K3511	NQR0022-002X	FERRITE BEADS		
R3205	NRSA63J-100X	MG RESISTOR	10Ω 1/16W J		K3601	NRSA63J-0R0X	MG RESISTOR	0Ω 1/16W J	
R3206	NRSA63J-102X	MG RESISTOR	1kΩ 1/16W J		K3602	NRSA63J-0R0X	MG RESISTOR	0Ω 1/16W J	
R3207	NRSA63J-102X	MG RESISTOR	1kΩ 1/16W J		K3603	NRSA63J-0R0X	MG RESISTOR	0Ω 1/16W J	
R3208	NRSA63J-102X	MG RESISTOR	1kΩ 1/16W J		K3604	NRSA63J-0R0X	MG RESISTOR	0Ω 1/16W J	
R3209	NRSA63J-102X	MG RESISTOR	1kΩ 1/16W J		K3605	NRSA63J-0R0X	MG RESISTOR	0Ω 1/16W J	
R3401	NRSA63J-101X	MG RESISTOR	100Ω 1/16W J		K3606	NRSA63J-0R0X	MG RESISTOR	0Ω 1/16W J	
R3402	NRSA63J-103X	MG RESISTOR	10kΩ 1/16W J		K3607	NRSA63J-0R0X	MG RESISTOR	0Ω 1/16W J	
R3403	NRSA63J-683X	MG RESISTOR	68kΩ 1/16W J		K3608	NRSA63J-0R0X	MG RESISTOR	0Ω 1/16W J	
R3404	NRSA63J-333X	MG RESISTOR	33kΩ 1/16W J		K3609	NRSA63J-0R0X	MG RESISTOR	0Ω 1/16W J	
R3405	NRSA63J-333X	MG RESISTOR	33kΩ 1/16W J		K3610	NRSA63J-0R0X	MG RESISTOR	0Ω 1/16W J	
R3501	NRSA63J-473X	MG RESISTOR	47kΩ 1/16W J		K3620	NRSA63J-0R0X	MG RESISTOR	0Ω 1/16W J	
R3502	NRSA63J-473X	MG RESISTOR	47kΩ 1/16W J		K3621	NRSA63J-0R0X	MG RESISTOR	0Ω 1/16W J	
R3503	NRSA63J-473X	MG RESISTOR	47kΩ 1/16W J		K3622	NRSA63J-0R0X	MG RESISTOR	0Ω 1/16W J	
R3504	NRSA63J-473X	MG RESISTOR	47kΩ 1/16W J		K3623	NRSA63J-0R0X	MG RESISTOR	0Ω 1/16W J	
R3505	NRSA63J-473X	MG RESISTOR	47kΩ 1/16W J		K3624	NRSA63J-0R0X	MG RESISTOR	0Ω 1/16W J	
R3506	NRSA63J-181X	MG RESISTOR	180Ω 1/16W J		K3625	NRSA63J-0R0X	MG RESISTOR	0Ω 1/16W J	
R3507	NRSA63J-181X	MG RESISTOR	180Ω 1/16W J		K3626	NRSA63J-0R0X	MG RESISTOR	0Ω 1/16W J	
R3508	NRSA63J-101X	MG RESISTOR	100Ω 1/16W J		K3627	NRSA63J-0R0X	MG RESISTOR	0Ω 1/16W J	
R3509	NRSA63J-181X	MG RESISTOR	180Ω 1/16W J		K3628	NRSA63J-0R0X	MG RESISTOR	0Ω 1/16W J	
R3510	NRSA63J-181X	MG RESISTOR	180Ω 1/16W J		K3629	NRSA63J-0R0X	MG RESISTOR	0Ω 1/16W J	
R3511	NRSA63J-181X	MG RESISTOR	180Ω 1/16W J		K3630	NRSA63J-0R0X	MG RESISTOR	0Ω 1/16W J	
R3514	NRSA63J-103X	MG RESISTOR	10kΩ 1/16W J		K3631	NRSA63J-0R0X	MG RESISTOR	0Ω 1/16W J	
R3515	NRSA63J-332X	MG RESISTOR	3.3kΩ 1/16W J		K3632	NRSA63J-0R0X	MG RESISTOR	0Ω 1/16W J	
R3516	NRSA63J-562X	MG RESISTOR	5.6kΩ 1/16W J		K3633	NRSA63J-0R0X	MG RESISTOR	0Ω 1/16W J	
R3519	NRSA63J-0R0X	MG RESISTOR	0Ω 1/16W J		K3634	NRSA63J-0R0X	MG RESISTOR	0Ω 1/16W J	
R3520	NRSA63J-0R0X	MG RESISTOR	0Ω 1/16W J		K3635	NRSA63J-0R0X	MG RESISTOR	0Ω 1/16W J	
R3602	NRSA63J-100X	MG RESISTOR	10Ω 1/16W J		K3636	NRSA63J-0R0X	MG RESISTOR	0Ω 1/16W J	
R3604	NRSA63J-0R0X	MG RESISTOR	0Ω 1/16W J		K3637	NRSA63J-0R0X	MG RESISTOR	0Ω 1/16W J	
R3630	NRSA63J-221X	MG RESISTOR	220Ω 1/16W J		K3638	NRSA63J-0R0X	MG RESISTOR	0Ω 1/16W J	
R3631	NRSA63J-331X	MG RESISTOR	330Ω 1/16W J		K3639	NRSA63J-0R0X	MG RESISTOR	0Ω 1/16W J	
R3701	NRSA63J-272X	MG RESISTOR	2.7kΩ 1/16W J		K3640	NRSA63J-0R0X	MG RESISTOR	0Ω 1/16W J	
R3702	NRSA63J-272X	MG RESISTOR	2.7kΩ 1/16W J		S3701	NSW0228-001X	TACT SWITCH		
R3703	NRSA63J-272X	MG RESISTOR	2.7kΩ 1/16W J		S3801	NSW0225-001X	DETECT SWITCH		
R3704	NRSA63J-103X	MG RESISTOR	10kΩ 1/16W J		S3802	NSW0126-001X	DETECT SWITCH		
R3705	NRSA63J-332X	MG RESISTOR	3.3kΩ 1/16W J						
R3706	NRSA63J-332X	MG RESISTOR	3.3kΩ 1/16W J						
R3707	NRSA63J-332X	MG RESISTOR	3.3kΩ 1/16W J						
R3708	NRSA63J-103X	MG RESISTOR	10kΩ 1/16W J						
R3709	NRSA63J-103X	MG RESISTOR	10kΩ 1/16W J						
R3710	NRSA63J-0R0X	MG RESISTOR	0Ω 1/16W J						
R3721	NRSA63J-0R0X	MG RESISTOR	0Ω 1/16W J						
R3722	NRSA63J-0R0X	MG RESISTOR	0Ω 1/16W J						
R3723	NRSA63J-0R0X	MG RESISTOR	0Ω 1/16W J						
R3724	NRSA63J-0R0X	MG RESISTOR	0Ω 1/16W J						

# Sub board (Only KW-AVX701UN)

Block No. [0][7]

△ Symbol No.	Part No.	Part Name	Description	Local
△ IC501	MN103SB9NEH	IC		
IC502	S-80824CNNB-G-W	IC		
IC503	SA16M90TFIR12F	IC(PROGRAMMED)		
△ IC601	MB87P2040PMT	IC(DIGITAL)		
IC602	NJM2871BF25-X	IC		
IC603	SN74LV4053APW-X	IC		
IC604	NJM2286V-W	IC		
IC605	NJM2871BF05-X	IV		
△ IC606	RB5P0090M	IC		
IC607	NJM2505F-X	IC		
IC608	MM1117XF-XE	IC		
IC609	MM1117XF-XE	IC		
IC610	MM1228XF-X	IC		
IC611	MM1117XF-XE	IC		
IC612	SN74AHC104PW-X	IC		
IC613	LC75344M-X	IC		
IC614	NJM4565V-X	IC		
IC615	MM1511XN-X	IC		
IC616	TC7SH32FU-X	IC		
IC616	or SN74AHC1G32DC-X	IC		
Q501	2SA1530A/QR/-X	TRANSISTOR		
Q502	RT1N141C-X	DIGI TRANSISTOR		
Q503	2SC3928A/QR/-X	TRANSISTOR		
Q504	RT1P441C-X	DIGI TRANSISTOR		
Q601	2SA1530A/QR/-X	TRANSISTOR		
Q602	2SC3928A/QR/-X	TRANSISTOR		
Q603	2SA1530A/QR/-X	TRANSISTOR		
Q6621	2SC3928A/QR/-X	TRANSISTOR		
Q6622	2SC3928A/QR/-X	TRANSISTOR		
Q6623	2SA1530A/QR/-X	TRANSISTOR		
Q6624	2SA1530A/QR/-X	TRANSISTOR		
Q6625	2SA1530A/QR/-X	TRANSISTOR		
Q6626	2SD2114K/VW/-X	TRANSISTOR		
Q6627	2SD2114K/VW/-X	TRANSISTOR		
Q6628	2SC3928A/QR/-X	TRANSISTOR		
Q6629	2SC3928A/QR/-X	TRANSISTOR		
Q6630	2SA1530A/QR/-X	TRANSISTOR		
Q6631	2SA1530A/QR/-X	TRANSISTOR		
Q6801	2SD1994A/RS/-T	TRANSISTOR		
Q6802	RT1P141C-X	DIGI TRANSISTOR		
Q6803	RT1N141C-X	DIGI TRANSISTOR		
Q6804	RT1N141C-X	DIGI TRANSISTOR		
D501	MA111-X	SI DIODE		
D501	or 1SS355-X	DIODE C.M		
D502	RB521S-30-X	SB DIODE		
D6112	MA111-X	SI DIODE		
D6113	MA111-X	SI DIODE		
D6601	MA111-X	SI DIODE		
D6601	or 1SS355-X	DIODE C.M		
D6602	MA111-X	SI DIODE		
D6602	or 1SS355-X	DIODE C.M		
D6603	CRS03-W	SB DIODE		
D6604	CRS03-W	SB DIODE		
D6605	MA8062/M/-X	Z DIODE		
D6605	or UDZW6.2B-X	Z DIODE		
D6606	MA8062/M/-X	Z DIODE		
D6606	or UDZW6.2B-X	Z DIODE		
D6608	CRS03-W	SB DIODE		
D6609	CRS03-W	SB DIODE		
D6610	CL-201IR-X-X	LED		
D6611	MC2836-X	DIODE		
D6801	MA8120/M/-X	Z DIODE		
D6801	or UDZW12B-X	Z DIODE		
D6802	CRS03-W	SB DIODE		
C501	NCB31HK-103X	C CAPACITOR	0.01uF 50V K	
C502	NCB31HK-103X	C CAPACITOR	0.01uF 50V K	
C503	NCB31HK-103X	C CAPACITOR	0.01uF 50V K	
C505	NCB31HK-103X	C CAPACITOR	0.01uF 50V K	
C506	NCB31HK-103X	C CAPACITOR	0.01uF 50V K	
C507	NCB31CK-105X	C CAPACITOR	1uF 16V K	
C508	NCB31HK-103X	C CAPACITOR	0.01uF 50V K	

△ Symbol No.	Part No.	Part Name	Description	Local
C509	NCB31HK-103X	C CAPACITOR	0.01uF 50V K	
C510	NCB31HK-103X	C CAPACITOR	0.01uF 50V K	
C511	NDC31HJ-471X	C CAPACITOR	470pF 50V J	
C512	NCB31CK-473X	C CAPACITOR	0.047uF 16V K	
C513	QERF1CM-106Z	E CAPACITOR	10uF 16V M	
C514	QERF1EM-475Z	E CAPACITOR	4.7uF 25V M	
C515	NCB31CK-473X	C CAPACITOR	0.047uF 16V K	
C516	NDC31HJ-471X	C CAPACITOR	470pF 50V J	
C517	NCB31CK-473X	C CAPACITOR	0.047uF 16V K	
C518	QERF1CM-106Z	E CAPACITOR	10uF 16V M	
C519	NCB31HK-103X	C CAPACITOR	0.01uF 50V K	
C520	NCB31HK-103X	C CAPACITOR	0.01uF 50V K	
C521	NCJ11EK-106X-R	C CAPACITOR	10uF 25V	
C522	NCJ11EK-106X-R	C CAPACITOR	10uF 25V	
C601	NCB21AK-225X	C CAPACITOR	2.2uF 10V K	
C602	NCB31CK-473X	C CAPACITOR	0.047uF 16V K	
C603	NCB31CK-473X	C CAPACITOR	0.047uF 16V K	
C604	NCB21AK-225X	C CAPACITOR	2.2uF 10V K	
C605	QERF1CM-226Z	E CAPACITOR	22uF 16V M	
C606	NCB21AK-225X	C CAPACITOR	2.2uF 10V K	
C607	NCB31CK-104X	C CAPACITOR	0.1uF 16V K	
C608	NCB31HK-103X	C CAPACITOR	0.01uF 50V K	
C609	NCB31HK-103X	C CAPACITOR	0.01uF 50V K	
C611	NDC31HJ-180X	C CAPACITOR	18pF 50V J	
C612	NDC31HJ-180X	C CAPACITOR	18pF 50V J	
C613	NCB31HK-103X	C CAPACITOR	0.01uF 50V K	
C614	NCB31HK-103X	C CAPACITOR	0.01uF 50V K	
C615	NDC31HJ-101X	C CAPACITOR	100pF 50V J	
C616	QERF1CM-106Z	E CAPACITOR	10uF 16V M	
C617	NCB31HK-103X	C CAPACITOR	0.01uF 50V K	
C618	NCB31HK-103X	C CAPACITOR	0.01uF 50V K	
C619	NCB31HK-103X	C CAPACITOR	0.01uF 50V K	
C620	NCB31HK-103X	C CAPACITOR	0.01uF 50V K	
C621	NCB31HK-103X	C CAPACITOR	0.01uF 50V K	
C622	NCB31HK-103X	C CAPACITOR	0.01uF 50V K	
C623	QERF1CM-106Z	E CAPACITOR	10uF 16V M	
C624	NCB31HK-103X	C CAPACITOR	0.01uF 50V K	
C625	NCB31HK-103X	C CAPACITOR	0.01uF 50V K	
C626	QERF1CM-106Z	E CAPACITOR	10uF 16V M	
C627	NCB31CK-104X	C CAPACITOR	0.1uF 16V K	
C628	NCB31CK-104X	C CAPACITOR	0.1uF 16V K	
C629	NCB31CK-104X	C CAPACITOR	0.1uF 16V K	
C630	NCB31HK-103X	C CAPACITOR	0.01uF 50V K	
C631	NCB31HK-103X	C CAPACITOR	0.01uF 50V K	
C632	NCB31HK-103X	C CAPACITOR	0.01uF 50V K	
C633	NCB31HK-103X	C CAPACITOR	0.01uF 50V K	
C634	NCB31HK-103X	C CAPACITOR	0.01uF 50V K	
C636	NCB31CK-104X	C CAPACITOR	0.1uF 16V K	
C637	NCB31HK-103X	C CAPACITOR	0.01uF 50V K	
C638	NCB31CK-104X	C CAPACITOR	0.1uF 16V K	
C639	NCB31HK-103X	C CAPACITOR	0.01uF 50V K	
C640	QERF1CM-106Z	E CAPACITOR	10uF 16V M	
C641	NCB31HK-103X	C CAPACITOR	0.01uF 50V K	
C642	NCB31HK-103X	C CAPACITOR	0.01uF 50V K	
C643	QERF1CM-226Z	E CAPACITOR	22uF 16V M	
C644	NCB31HK-103X	C CAPACITOR	0.01uF 50V K	
C645	NCB31HK-103X	C CAPACITOR	0.01uF 50V K	
C646	NCB31HK-103X	C CAPACITOR	0.01uF 50V K	
C647	NCB31HK-103X	C CAPACITOR	0.01uF 50V K	
C648	NCB31HK-103X	C CAPACITOR	0.01uF 50V K	
C649	NCB31HK-102X	C CAPACITOR	1000pF 50V K	
C6101	NBE41AM-476X	TA E CAPACITOR	47uF 10V M	
C6102	QERF1EM-475Z	E CAPACITOR	4.7uF 25V M	
C6103	NDC31HJ-221X	C CAPACITOR	220pF 50V J	
C6104	NDC31HJ-101X	C CAPACITOR	100pF 50V J	
C6105	NDC31HJ-151X	C CAPACITOR	150pF 50V J	
C6106	QERF1EM-475Z	E CAPACITOR	4.7uF 25V M	
C6109	QERF1EM-475Z	E CAPACITOR	4.7uF 25V M	
C6201	NBE41AM-476X	TA E CAPACITOR	47uF 10V M	
C6202	QERF1EM-475Z	E CAPACITOR	4.7uF 25V M	
C6203	NDC31HJ-221X	C CAPACITOR	220pF 50V J	
C6204	NDC31HJ-101X	C CAPACITOR	100pF 50V J	
C6205	NDC31HJ-151X	C CAPACITOR	150pF 50V J	
C6206	QERF1EM-475Z	E CAPACITOR	4.7uF 25V M	
C6209	QERF1EM-475Z	E CAPACITOR	4.7uF 25V M	
C6301	NBE21AM-226X	TA E CAPACITOR	22uF 10V M	
C6302	NCB31CK-104X	C CAPACITOR	0.1uF 16V K	
C6303	NBE41AM-476X	TA E CAPACITOR	47uF 10V M	

△ Symbol No.	Part No.	Part Name	Description	Local	△ Symbol No.	Part No.	Part Name	Description	Local
C6304	NCB31CK-104X	C CAPACITOR	0.1uF 16V K		C6706	NCB31HK-103X	C CAPACITOR	0.01uF 50V K	
C6305	NBE41AM-476X	TA E CAPACITOR	47uF 10V M		C6707	NCB21CK-105X	C CAPACITOR	1uF 16V K	
C6601	NCB31HK-103X	C CAPACITOR	0.01uF 50V K		C6709	QERF1AM-107Z	E CAPACITOR	100uF 10V M	
C6603	NCB31HK-103X	C CAPACITOR	0.01uF 50V K		C6710	NCB31CK-104X	C CAPACITOR	0.1uF 16V K	
C6604	NCB31CK-105X	C CAPACITOR	1uF 16V K		C6711	NCB31HK-103X	C CAPACITOR	0.01uF 50V K	
C6605	NCB31HK-103X	C CAPACITOR	0.01uF 50V K		C6712	NCB31CK-104X	C CAPACITOR	0.1uF 16V K	
C6606	QERF1CM-226Z	E CAPACITOR	22uF 16V M		C6801	QERF1CM-106Z	E CAPACITOR	10uF 16V M	
C6607	NCB31CK-105X	C CAPACITOR	1uF 16V K		C6802	QERF1CM-106Z	E CAPACITOR	10uF 16V M	
C6612	NCB31HK-103X	C CAPACITOR	0.01uF 50V K		C6803	NCB31HK-103X	C CAPACITOR	0.01uF 50V K	
C6621	NDC31HJ-471X	C CAPACITOR	470pF 50V J		C6804	QERF1HM-105Z	E CAPACITOR	1uF 50V M	
C6622	NDC31HJ-221X	C CAPACITOR	220pF 50V J		C6805	QERF1HM-105Z	E CAPACITOR	1uF 50V M	
C6623	NCB31HK-102X	C CAPACITOR	1000pF 50V K		C6806	QERF1HM-105Z	E CAPACITOR	1uF 50V M	
C6624	NCB31HK-103X	C CAPACITOR	0.01uF 50V K		C6807	QERF1EM-475Z	E CAPACITOR	4.7uF 25V M	
C6625	QERF1CM-476Z	E CAPACITOR	47uF 16V M		C6808	QERF1EM-475Z	E CAPACITOR	4.7uF 25V M	
C6626	QERF1CM-476Z	E CAPACITOR	47uF 16V M		C6809	QERF1CM-106Z	E CAPACITOR	10uF 16V M	
C6627	NCB31HK-103X	C CAPACITOR	0.01uF 50V K		C6810	NCB31CK-104X	C CAPACITOR	0.1uF 16V K	
C6628	NCB21CK-105X	C CAPACITOR	1uF 16V K		C6811	NCB31CK-104X	C CAPACITOR	0.1uF 16V K	
C6629	QERF1CM-226Z	E CAPACITOR	22uF 16V M		C6812	NCB31CK-104X	C CAPACITOR	0.1uF 16V K	
C6630	NCB31HK-103X	C CAPACITOR	0.01uF 50V K		C6813	NCB31CK-104X	C CAPACITOR	0.1uF 16V K	
C6631	NCB31CK-224X	C CAPACITOR	0.22uF 16V K		C6814	NCB31CK-104X	C CAPACITOR	0.1uF 16V K	
C6632	NDC31HJ-561X	C CAPACITOR	560pF 50V J						
C6633	QERF1CM-106Z	E CAPACITOR	10uF 16V M		R501	NRSA63J-102X	MG RESISTOR	1kΩ 1/16W J	
C6634	NCB31HK-682X	C CAPACITOR	6800pF 50V K		R502	NRSA63J-102X	MG RESISTOR	1kΩ 1/16W J	
C6635	NCB21CK-105X	C CAPACITOR	1uF 16V K		R503	NRSA63J-0R0X	MG RESISTOR	0Ω 1/16W J	
C6636	NCB31CK-104X	C CAPACITOR	0.1uF 16V K		R504	NRSA63J-102X	MG RESISTOR	1kΩ 1/16W J	
C6637	QERF1CM-107Z	E CAPACITOR	100uF 16V M		R505	NRSA63J-102X	MG RESISTOR	1kΩ 1/16W J	
C6638	NCB31CK-104X	C CAPACITOR	0.1uF 16V K		R506	NRSA63J-471X	MG RESISTOR	470Ω 1/16W J	
C6639	NDC31HJ-2R0X	C CAPACITOR	2pF 50V J		R507	NRSA63J-471X	MG RESISTOR	470Ω 1/16W J	
C6640	NDC31HJ-3R0X	C CAPACITOR	3pF 50V J		R508	NRSA63J-101X	MG RESISTOR	100Ω 1/16W J	
C6641	NDC21HJ-103X	C CAPACITOR	0.01uF 50V J		R509	NRSA63J-102X	MG RESISTOR	1kΩ 1/16W J	
C6642	NCB31HK-103X	C CAPACITOR	0.01uF 50V K		R510	NRSA63J-102X	MG RESISTOR	1kΩ 1/16W J	
C6643	NCB21CK-474X	C CAPACITOR	0.47uF 16V K		R511	NRSA63J-102X	MG RESISTOR	1kΩ 1/16W J	
C6653	NDC31HJ-680X	C CAPACITOR	68pF 50V J		R512	NRSA63J-102X	MG RESISTOR	1kΩ 1/16W J	
C6654	NDC31HJ-680X	C CAPACITOR	68pF 50V J		R513	NRSA63J-102X	MG RESISTOR	1kΩ 1/16W J	
C6655	NDC31HJ-680X	C CAPACITOR	68pF 50V J		R514	NRSA63J-102X	MG RESISTOR	1kΩ 1/16W J	
C6656	NCB20JK-475X	C CAPACITOR	4.7uF 6.3V K		R515	NRSA63J-102X	MG RESISTOR	1kΩ 1/16W J	
C6657	NCB20JK-475X	C CAPACITOR	4.7uF 6.3V K		R516	NRSA63J-102X	MG RESISTOR	1kΩ 1/16W J	
C6658	NCB20JK-475X	C CAPACITOR	4.7uF 6.3V K		R517	NRSA63J-102X	MG RESISTOR	1kΩ 1/16W J	
C6659	NCB21CK-105X	C CAPACITOR	1uF 16V K		R518	NRSA63J-102X	MG RESISTOR	1kΩ 1/16W J	
C6660	QERF1CM-226Z	E CAPACITOR	22uF 16V M		R519	NRSA63J-102X	MG RESISTOR	1kΩ 1/16W J	
C6661	QERF1CM-106Z	E CAPACITOR	10uF 16V M		R521	NRSA63J-471X	MG RESISTOR	470Ω 1/16W J	
C6662	QERF1CM-106Z	E CAPACITOR	10uF 16V M		R522	NRSA63J-471X	MG RESISTOR	470Ω 1/16W J	
C6664	NCB31CK-473X	C CAPACITOR	0.047uF 16V K		R523	NRSA63J-471X	MG RESISTOR	470Ω 1/16W J	
C6665	QERF1CM-476Z	E CAPACITOR	47uF 16V M		R524	NRSA63J-471X	MG RESISTOR	470Ω 1/16W J	
C6666	QERF1AM-227Z	E CAPACITOR	220uF 10V M		R525	NRSA63J-471X	MG RESISTOR	470Ω 1/16W J	
C6667	NCB31CK-473X	C CAPACITOR	0.047uF 16V K		R526	NRSA63J-0R0X	MG RESISTOR	0Ω 1/16W J	
C6669	QERF1CM-106Z	E CAPACITOR	10uF 16V M		R527	NRSA63J-471X	MG RESISTOR	470Ω 1/16W J	
C6670	QERF1CM-106Z	E CAPACITOR	10uF 16V M		R528	NRSA63J-471X	MG RESISTOR	470Ω 1/16W J	
C6671	QERF1CM-106Z	E CAPACITOR	10uF 16V M		R529	NRSA63J-471X	MG RESISTOR	470Ω 1/16W J	
C6672	QERF1CM-106Z	E CAPACITOR	10uF 16V M		R530	NRSA63J-471X	MG RESISTOR	470Ω 1/16W J	
C6673	QERF1AM-227Z	E CAPACITOR	220uF 10V M		R531	NRSA63J-101X	MG RESISTOR	100Ω 1/16W J	
C6674	NCB31CK-473X	C CAPACITOR	0.047uF 16V K		R532	NRSA63J-471X	MG RESISTOR	470Ω 1/16W J	
C6677	QERF1AM-227Z	E CAPACITOR	220uF 10V M		R533	NRSA63J-471X	MG RESISTOR	470Ω 1/16W J	
C6678	NCB20JK-475X	C CAPACITOR	4.7uF 6.3V K		R534	NRSA63J-102X	MG RESISTOR	1kΩ 1/16W J	
C6679	QERF0JM-337Z	E CAPACITOR	330uF 6.3V M		R536	NRSA63J-102X	MG RESISTOR	1kΩ 1/16W J	
C6681	QERF1AM-227Z	E CAPACITOR	220uF 10V M		R537	NRSA63J-101X	MG RESISTOR	100Ω 1/16W J	
C6682	NCB31CK-473X	C CAPACITOR	0.047uF 16V K		R538	NRSA63J-101X	MG RESISTOR	100Ω 1/16W J	
C6684	NCB20JK-475X	C CAPACITOR	4.7uF 6.3V K		R539	NRSA63J-101X	MG RESISTOR	100Ω 1/16W J	
C6686	NCB31HK-102X	C CAPACITOR	1000pF 50V K		R540	NRSA63J-101X	MG RESISTOR	100Ω 1/16W J	
C6687	NDC31HJ-101X	C CAPACITOR	100pF 50V J		R543	NRSA63J-271X	MG RESISTOR	270Ω 1/16W J	
C6688	NDC31HJ-101X	C CAPACITOR	100pF 50V J		R544	NRSA63J-271X	MG RESISTOR	270Ω 1/16W J	
C6689	NDC31HJ-101X	C CAPACITOR	100pF 50V J		R545	NRSA63J-103X	MG RESISTOR	10kΩ 1/16W J	
C6690	NDC31HJ-100X	C CAPACITOR	10pF 50V J		R546	NRSA63J-103X	MG RESISTOR	10kΩ 1/16W J	
C6691	NDC31HJ-100X	C CAPACITOR	10pF 50V J		R547	NRSA63J-474X	MG RESISTOR	470kΩ 1/16W J	
C6692	NCB31CK-104X	C CAPACITOR	0.1uF 16V K		R548	NRSA63J-473X	MG RESISTOR	47kΩ 1/16W J	
C6693	NDC31HJ-101X	C CAPACITOR	100pF 50V J		R549	NRSA63J-222X	MG RESISTOR	2.2kΩ 1/16W J	
C6694	NDC31HJ-101X	C CAPACITOR	100pF 50V J		R550	NRSA63J-473X	MG RESISTOR	47kΩ 1/16W J	
C6695	NDC31HJ-101X	C CAPACITOR	100pF 50V J		R551	NRSA63J-0R0X	MG RESISTOR	0Ω 1/16W J	
C6696	NDC31HJ-101X	C CAPACITOR	100pF 50V J		R552	NRSA63J-474X	MG RESISTOR	470kΩ 1/16W J	
C6697	NCB31CK-223X	C CAPACITOR	0.022uF 16V K		R553	NRSA63J-473X	MG RESISTOR	47kΩ 1/16W J	
C6698	NCB31HK-473X	C CAPACITOR	0.047uF 50V K		R556	NRSA63J-103X	MG RESISTOR	10kΩ 1/16W J	
C6699	NDC31HJ-101X	C CAPACITOR	100pF 50V J		R558	NRSA63J-0R0X	MG RESISTOR	0Ω 1/16W J	
C6700	NCB31CK-473X	C CAPACITOR	0.047uF 16V K		R559	NRSA63J-102X	MG RESISTOR	1kΩ 1/16W J	
C6701	QERF0JM-337Z	E CAPACITOR	330uF 6.3V M		R560	NRSA63J-102X	MG RESISTOR	1kΩ 1/16W J	
C6702	NDC31HJ-101X	C CAPACITOR	100pF 50V J		R561	NRSA63J-471X	MG RESISTOR	470Ω 1/16W J	
C6703	NDC31HJ-101X	C CAPACITOR	100pF 50V J		R562	NRSA63J-103X	MG RESISTOR	10kΩ 1/16W J	
C6704	NCB31HK-103X	C CAPACITOR	0.01uF 50V K		R563	NRSA63J-102X	MG RESISTOR	1kΩ 1/16W J	
C6705	NCS31HJ-561X	C CAPACITOR	560pF 50V J		R564	NRSA63J-102X	MG RESISTOR	1kΩ 1/16W J	

△ Symbol No.	Part No.	Part Name	Description	Local	△ Symbol No.	Part No.	Part Name	Description	Local
R565	NRSA63J-471X	MG RESISTOR	470Ω 1/16W J		R6647	NRSA63J-102X	MG RESISTOR	1kΩ 1/16W J	
R566	NRSA63J-223X	MG RESISTOR	22kΩ 1/16W J		R6648	NRSA63J-822X	MG RESISTOR	8.2kΩ 1/16W J	
R567	NRSA63J-223X	MG RESISTOR	22kΩ 1/16W J		R6649	NRSA63J-562X	MG RESISTOR	5.6kΩ 1/16W J	
R568	NRSA63J-473X	MG RESISTOR	47kΩ 1/16W J		R6650	NRSA63J-122X	MG RESISTOR	1.2kΩ 1/16W J	
R569	NRSA63J-0R0X	MG RESISTOR	0Ω 1/16W J		R6651	NRSA63J-122X	MG RESISTOR	1.2kΩ 1/16W J	
R570	NRSA63J-0R0X	MG RESISTOR	0Ω 1/16W J		R6652	NRSA63J-122X	MG RESISTOR	1.2kΩ 1/16W J	
R571	NRSA63J-563X	MG RESISTOR	56kΩ 1/16W J		R6653	NRSA63J-472X	MG RESISTOR	4.7kΩ 1/16W J	
R601	NRSA63J-121X	MG RESISTOR	120Ω 1/16W J		R6654	NRSA63J-472X	MG RESISTOR	4.7kΩ 1/16W J	
R602	NRSA63J-121X	MG RESISTOR	120Ω 1/16W J		R6655	NRSA63J-472X	MG RESISTOR	4.7kΩ 1/16W J	
R603	NRSA63J-121X	MG RESISTOR	120Ω 1/16W J		R6656	NRSA63J-105X	MG RESISTOR	1MΩ 1/16W J	
R604	NRSA63J-220X	MG RESISTOR	22Ω 1/16W J		R6657	NRSA63J-821X	MG RESISTOR	820Ω 1/16W J	
R605	NRSA63J-220X	MG RESISTOR	22Ω 1/16W J		R6660	NRSA63J-471X	MG RESISTOR	470Ω 1/16W J	
R606	NRSA63J-272X	MG RESISTOR	2.7kΩ 1/16W J		R6661	NRSA63J-750X	MG RESISTOR	75Ω 1/16W J	
R607	NRSA63J-220X	MG RESISTOR	22Ω 1/16W J		R6662	NRSA63J-471X	MG RESISTOR	470Ω 1/16W J	
R608	NRSA63J-471X	MG RESISTOR	470Ω 1/16W J		R6663	NRSA63J-100X	MG RESISTOR	10Ω 1/16W J	
R610	NRSA63J-0R0X	MG RESISTOR	0Ω 1/16W J		R6665	NRSA63J-750X	MG RESISTOR	75Ω 1/16W J	
R612	NRSA63J-0R0X	MG RESISTOR	0Ω 1/16W J		R6667	NRSA63J-0R0X	MG RESISTOR	0Ω 1/16W J	
R613	NRSA63J-0R0X	MG RESISTOR	0Ω 1/16W J		R6669	NRSA63J-0R0X	MG RESISTOR	0Ω 1/16W J	
R614	NRSA63J-0R0X	MG RESISTOR	0Ω 1/16W J		R6670	NRSA63J-100X	MG RESISTOR	10Ω 1/16W J	
R615	NRSA63J-0R0X	MG RESISTOR	0Ω 1/16W J		R6671	NRSA63J-0R0X	MG RESISTOR	0Ω 1/16W J	
R616	NRSA63J-103X	MG RESISTOR	10kΩ 1/16W J		R6675	NRSA63J-0R0X	MG RESISTOR	0Ω 1/16W J	
R617	NRSA63J-103X	MG RESISTOR	10kΩ 1/16W J		R6676	NRSA63J-100X	MG RESISTOR	10Ω 1/16W J	
R618	NRSA63J-103X	MG RESISTOR	10kΩ 1/16W J		R6677	NRSA63J-0R0X	MG RESISTOR	0Ω 1/16W J	
R619	NRSA63J-103X	MG RESISTOR	10kΩ 1/16W J		R6681	NRSA63J-0R0X	MG RESISTOR	0Ω 1/16W J	
R620	NRSA63J-103X	MG RESISTOR	10kΩ 1/16W J		R6683	NRSA63J-100X	MG RESISTOR	10Ω 1/16W J	
R622	NRSA63J-103X	MG RESISTOR	10kΩ 1/16W J		R6684	NRSA63J-102X	MG RESISTOR	1kΩ 1/16W J	
R623	NRSA63J-103X	MG RESISTOR	10kΩ 1/16W J		R6685	NRSA63J-750X	MG RESISTOR	75Ω 1/16W J	
R627	NRSA63J-102X	MG RESISTOR	1kΩ 1/16W J		R6686	NRSA63J-102X	MG RESISTOR	1kΩ 1/16W J	
R628	NRSA63J-0R0X	MG RESISTOR	0Ω 1/16W J		R6688	NRSA63J-100X	MG RESISTOR	10Ω 1/16W J	
R630	NRSA63J-103X	MG RESISTOR	10kΩ 1/16W J		R6689	NRSA63J-0R0X	MG RESISTOR	0Ω 1/16W J	
R631	NRSA63J-103X	MG RESISTOR	10kΩ 1/16W J		R6692	NRSA63J-0R0X	MG RESISTOR	0Ω 1/16W J	
R632	NRSA63J-473X	MG RESISTOR	47kΩ 1/16W J		R6693	NRSA63J-0R0X	MG RESISTOR	0Ω 1/16W J	
R633	NRSA63J-473X	MG RESISTOR	47kΩ 1/16W J		R6695	NRSA63J-390X	MG RESISTOR	39Ω 1/16W J	
R634	NRSA63J-103X	MG RESISTOR	10kΩ 1/16W J		R6696	NRSA63J-101X	MG RESISTOR	100Ω 1/16W J	
R635	NRSA63J-102X	MG RESISTOR	1kΩ 1/16W J		R6697	NRSA63J-101X	MG RESISTOR	100Ω 1/16W J	
R636	NRSA63J-103X	MG RESISTOR	10kΩ 1/16W J		R6698	NRSA63D-181X	MG RESISTOR	180Ω 1/16W D	
R637	NRSA63J-223X	MG RESISTOR	22kΩ 1/16W J		R6699	NRSA63J-333X	MG RESISTOR	33kΩ 1/16W J	
R639	NRSA63J-102X	MG RESISTOR	1kΩ 1/16W J		R6701	NRSA63J-0R0X	MG RESISTOR	0Ω 1/16W J	
R6101	NRSA63J-223X	MG RESISTOR	22kΩ 1/16W J		R6702	NRSA63J-473X	MG RESISTOR	47kΩ 1/16W J	
R6102	NRSA63J-223X	MG RESISTOR	22kΩ 1/16W J		R6703	NRSA63J-473X	MG RESISTOR	47kΩ 1/16W J	
R6103	NRSA63J-104X	MG RESISTOR	100kΩ 1/16W J		R6704	NRSA63J-0R0X	MG RESISTOR	0Ω 1/16W J	
R6104	NRSA63J-472X	MG RESISTOR	4.7kΩ 1/16W J		R6705	NRSA63J-103X	MG RESISTOR	10kΩ 1/16W J	
R6105	NRSA63J-183X	MG RESISTOR	18kΩ 1/16W J		R6707	NRSA63J-0R0X	MG RESISTOR	0Ω 1/16W J	
R6106	NRSA63J-183X	MG RESISTOR	18kΩ 1/16W J		R6708	NRSA63J-471X	MG RESISTOR	470Ω 1/16W J	
R6107	NRSA63J-473X	MG RESISTOR	47kΩ 1/16W J		R6710	NRSA63J-0R0X	MG RESISTOR	0Ω 1/16W J	
R6201	NRSA63J-223X	MG RESISTOR	22kΩ 1/16W J		R6712	NRSA63J-332X	MG RESISTOR	3.3kΩ 1/16W J	
R6202	NRSA63J-223X	MG RESISTOR	22kΩ 1/16W J		R6713	NRSA63J-332X	MG RESISTOR	3.3kΩ 1/16W J	
R6203	NRSA63J-104X	MG RESISTOR	100kΩ 1/16W J		R6714	NRSA63J-332X	MG RESISTOR	3.3kΩ 1/16W J	
R6204	NRSA63J-472X	MG RESISTOR	4.7kΩ 1/16W J		R6716	NRSA63J-102X	MG RESISTOR	1kΩ 1/16W J	
R6205	NRSA63J-183X	MG RESISTOR	18kΩ 1/16W J		R6717	NRSA63J-101X	MG RESISTOR	100Ω 1/16W J	
R6206	NRSA63J-183X	MG RESISTOR	18kΩ 1/16W J		R6718	NRSA63J-222X	MG RESISTOR	2.2kΩ 1/16W J	
R6207	NRSA63J-473X	MG RESISTOR	47kΩ 1/16W J		R6719	NRSA63J-102X	MG RESISTOR	1kΩ 1/16W J	
R6302	NRSA63J-100X	MG RESISTOR	10Ω 1/16W J		R6720	NRSA63J-101X	MG RESISTOR	100Ω 1/16W J	
R6303	NRSA63J-100X	MG RESISTOR	10Ω 1/16W J		R6721	NRSA63J-222X	MG RESISTOR	2.2kΩ 1/16W J	
R6601	NRSA63J-0R0X	MG RESISTOR	0Ω 1/16W J		R6723	NRSA63J-0R0X	MG RESISTOR	0Ω 1/16W J	
R6607	NRSA63J-0R0X	MG RESISTOR	0Ω 1/16W J		R6724	NRSA63J-105X	MG RESISTOR	1MΩ 1/16W J	
R6621	NRSA63J-104X	MG RESISTOR	100kΩ 1/16W J		R6725	NRSA63J-0R0X	MG RESISTOR	0Ω 1/16W J	
R6622	NRSA63J-334X	MG RESISTOR	330kΩ 1/16W J		R6726	NRSA63J-105X	MG RESISTOR	1MΩ 1/16W J	
R6623	NRSA63J-184X	MG RESISTOR	180kΩ 1/16W J		R6727	NRSA63J-102X	MG RESISTOR	1kΩ 1/16W J	
R6624	NRSA63J-104X	MG RESISTOR	100kΩ 1/16W J		R6728	NRSA63J-153X	MG RESISTOR	15kΩ 1/16W J	
R6626	NRSA63J-472X	MG RESISTOR	4.7kΩ 1/16W J		R6730	NRSA63J-272X	MG RESISTOR	2.7kΩ 1/16W J	
R6627	NRSA63J-103X	MG RESISTOR	10kΩ 1/16W J		R6731	NRSA63J-221X	MG RESISTOR	220Ω 1/16W J	
R6628	NRSA63J-103X	MG RESISTOR	10kΩ 1/16W J		R6732	NRSA63J-122X	MG RESISTOR	1.2kΩ 1/16W J	
R6629	NRSA63J-103X	MG RESISTOR	10kΩ 1/16W J		R6734	NRSA63J-102X	MG RESISTOR	1kΩ 1/16W J	
R6630	NRSA63J-0R0X	MG RESISTOR	0Ω 1/16W J		R6735	NRSA63J-102X	MG RESISTOR	1kΩ 1/16W J	
R6631	NRSA63J-0R0X	MG RESISTOR	0Ω 1/16W J		R6736	NRSA63J-0R0X	MG RESISTOR	0Ω 1/16W J	
R6632	NRSA63J-561X	MG RESISTOR	560Ω 1/16W J		R6739	NRSA63J-222X	MG RESISTOR	2.2kΩ 1/16W J	
R6633	NRSA63J-102X	MG RESISTOR	1kΩ 1/16W J		R6742	NRSA63J-472X	MG RESISTOR	4.7kΩ 1/16W J	
R6634	NRSA63J-271X	MG RESISTOR	270Ω 1/16W J		R6743	NRSA63J-104X	MG RESISTOR	100kΩ 1/16W J	
R6635	NRSA63F-183X	MG RESISTOR	18kΩ 1/16W F		R6744	NRSA63J-104X	MG RESISTOR	100kΩ 1/16W J	
R6637	NRSA63J-0R0X	MG RESISTOR	0Ω 1/16W J		R6747	NRSA63J-472X	MG RESISTOR	4.7kΩ 1/16W J	
R6638	NRSA63J-331X	MG RESISTOR	330Ω 1/16W J		R6801	NRSA63J-220X	MG RESISTOR	22Ω 1/16W J	
R6639	NRSA63J-102X	MG RESISTOR	1kΩ 1/16W J		R6802	NRSA63J-220X	MG RESISTOR	22Ω 1/16W J	
R6641	NRSA63J-105X	MG RESISTOR	1MΩ 1/16W J		R6803	NRSA63J-471X	MG RESISTOR	470Ω 1/16W J	
R6642	NRSA63J-681X	MG RESISTOR	680Ω 1/16W J		R6804	NRSA63J-473X	MG RESISTOR	47kΩ 1/16W J	
R6643	NRSA63J-222X	MG RESISTOR	2.2kΩ 1/16W J		R6805	NRSA63J-473X	MG RESISTOR	47kΩ 1/16W J	
R6645	NRSA63J-102X	MG RESISTOR	1kΩ 1/16W J		R6806	NRSA63J-103X	MG RESISTOR	10kΩ 1/16W J	
R6646	NRSA63J-102X	MG RESISTOR	1kΩ 1/16W J		R6807	NRSA63J-0R0X	MG RESISTOR	0Ω 1/16W J	

△ Symbol No. Part No. Part Name Description Local

## Panel board (Only KW-AVX701UN)

Block No. [0][8]

R6808	NRSA63J-470X	MG RESISTOR	47Ω 1/16W J
R6809	NRSA63J-222X	MG RESISTOR	2.2kΩ 1/16W J
R6810	NRSA63J-222X	MG RESISTOR	2.2kΩ 1/16W J
R6811	NRSA63J-472X	MG RESISTOR	4.7kΩ 1/16W J
RA501	NRZ0065-471X	NET RESISTOR	470Ω
RA502	NRZ0065-471X	NET RESISTOR	470Ω
RA503	NRZ0065-471X	NET RESISTOR	470Ω
RA504	NRZ0065-471X	NET RESISTOR	470Ω
RA505	NRZ0065-471X	NET RESISTOR	470Ω
RA506	NRZ0065-471X	NET RESISTOR	470Ω
RA507	NRZ0065-471X	NET RESISTOR	470Ω
RA508	NRZ0065-471X	NET RESISTOR	470Ω
RA509	NRZ0065-471X	NET RESISTOR	470Ω

L501	NQL79GM-100X	COIL	10uH M
L602	NQL79GM-100X	COIL	10uH M
L6621	NQL79GM-100X	COIL	10uH M
L6622	NQL79GM-470X	COIL	47uH M
L6623	NQL79GM-470X	COIL	47uH M
L6624	NQL79GM-470X	COIL	47uH M
L6625	NQL085J-470X	COIL	47uH J
L6626	NQL085J-470X	COIL	47uH J
L6627	NQL085J-470X	COIL	47uH J
L6628	NQL79GM-100X	COIL	10uH M
L6629	NQL79GM-470X	COIL	47uH M
L6630	NQL79GM-470X	COIL	47uH M
L6631	NQL79GM-470X	COIL	47uH M
L6632	NQL79GM-470X	COIL	47uH M
L6633	NQL79GM-470X	COIL	47uH M
L6634	NQL79GM-470X	COIL	47uH M

CN601	QGB1004K2-18W	CONNECTOR	B-B (1-18)
CN602	QGF0522F3-24W	CONNECTOR	FFC/FPC (1-24)
CN603	QNZ0690-001	D CONNECTOR	
CN604	QGA1002F1-03X	CONNECTOR	W-B (1-3)
CN605	QGA2015F1-16	CONNECTOR	W-B (1-16)
CN681	QGA2001C1-02	CONNECTOR	W-B (1-2)
CN699	QGF0522F3-07W	CONNECTOR	FFC/FPC (1-7)
K581	NRSA63J-0R0X	MG RESISTOR	0Ω 1/16W J
K601	NQR0022-005X	FERRITE BEADS	
K602	NQR0022-005X	FERRITE BEADS	
K603	NQR0022-005X	FERRITE BEADS	
K604	NQR0022-005X	FERRITE BEADS	
K605	NQR0022-005X	FERRITE BEADS	
K606	NQR0022-005X	FERRITE BEADS	
K607	NQR0022-005X	FERRITE BEADS	
K609	NQR0022-005X	FERRITE BEADS	
K611	NQR0022-005X	FERRITE BEADS	
K6601	NRSA63J-0R0X	MG RESISTOR	0Ω 1/16W J
K6602	NRSA63J-0R0X	MG RESISTOR	0Ω 1/16W J
K6603	NRSA63J-0R0X	MG RESISTOR	0Ω 1/16W J
K6604	NRSA63J-0R0X	MG RESISTOR	0Ω 1/16W J
K6605	NQR0251-001X	FERRITE BEADS	
K6606	NQR0251-001X	FERRITE BEADS	
K6607	NQR0251-001X	FERRITE BEADS	
K6608	NQR0251-001X	FERRITE BEADS	
K6609	NQR0251-001X	FERRITE BEADS	
K6610	NQR0251-001X	FERRITE BEADS	
K6611	NQR0251-001X	FERRITE BEADS	
K6612	NQR0251-001X	FERRITE BEADS	
K6621	NRSA63J-0R0X	MG RESISTOR	0Ω 1/16W J
K6622	NRSA63J-0R0X	MG RESISTOR	0Ω 1/16W J
K6623	NRSA63J-0R0X	MG RESISTOR	0Ω 1/16W J
K6624	NRSA63J-0R0X	MG RESISTOR	0Ω 1/16W J
K6625	NRSA63J-0R0X	MG RESISTOR	0Ω 1/16W J
K6626	NRSA63J-0R0X	MG RESISTOR	0Ω 1/16W J
K6627	NRSA63J-0R0X	MG RESISTOR	0Ω 1/16W J
K6628	NRSA63J-0R0X	MG RESISTOR	0Ω 1/16W J
K6630	NQR0022-005X	FERRITE BEADS	
K6631	NQR0022-005X	FERRITE BEADS	
K6632	NQR0022-005X	FERRITE BEADS	
K6633	NRSA63J-0R0X	MG RESISTOR	0Ω 1/16W J
PP2	QZW0010-001	STYLE PIN	
X501	NAX0841-001X	C RESONATOR	
X601	NAX0873-001X	CRYSTAL	
X602	NAX0728-001X	CRYSTAL	4.43361875MHz
X603	NAX0727-001X	CRYSTAL	3.579545MHz

△ Symbol No. Part No. Part Name Description Local

△ IC401	UPD78F0525GRC05	IC	
IC402	BR24L04F-W-X	IC	
IC411	MN5814	IC	
IC412	SN74AHCT1G08V-X	IC	
IC415	LM2904PW-X	IC	
IC431	NJM2871BF05-X	IV	
IC441	MB90097PFV001EX	IC	
IC451	AN2546FH-AV	IC	
IC452	SN74AHCT1G32K-X	IC	
IC472	SN74LV123APW-X	IC	
IC473	OZ961ISN-X	IC	
IC474	TPCP8402JVC-X	POWER MOS FET	
IC475	TPCP8402JVC-X	POWER MOS FET	
IC476	RSQ035P03-W	MOS FET	
IC477	SN74AHCT1G08V-X	IC	
IC481	RS-771-X	RM.RECEIVER	
IC491	NJM4565V-X	IC	
Q411	RT1N141C-X	DIGI TRANSISTOR	
Q412	RT1N141C-X	DIGI TRANSISTOR	
Q421	RT1P141C-X	DIGI TRANSISTOR	
Q422	RT1N141C-X	DIGI TRANSISTOR	
Q423	2SA1530A/QR/-X	TRANSISTOR	
Q424	2SA1530A/QR/-X	TRANSISTOR	
Q425	2SA1530A/QR/-X	TRANSISTOR	
Q451	2SC3928A/QR/-X	TRANSISTOR	
Q452	2SC3928A/QR/-X	TRANSISTOR	
Q453	2SC3928A/QR/-X	TRANSISTOR	
Q454	2SC3928A/QR/-X	TRANSISTOR	
Q456	2SC3928A/QR/-X	TRANSISTOR	
Q491	2SC3928A/QR/-X	TRANSISTOR	
Q492	2SA1530A/QR/-X	TRANSISTOR	
Q493	2SC3928A/QR/-X	TRANSISTOR	
Q494	2SA1530A/QR/-X	TRANSISTOR	
Q495	2SA1530A/QR/-X	TRANSISTOR	
Q4301	2SC3928A/QR/-X	TRANSISTOR	
Q4760	RT1N141C-X	DIGI TRANSISTOR	
D401	MA111-X	SI DIODE	
D401	or 1SS355-X	DIODE C.M	
D421	MC2838-X	DIODE	
D422	MA111-X	SI DIODE	
D422	or 1SS355-X	DIODE C.M	
D423	MA111-X	SI DIODE	
D423	or 1SS355-X	DIODE C.M	
D451	CRS03-W	SB DIODE	
D453	MA111-X	SI DIODE	
D453	or 1SS355-X	DIODE C.M	
D454	MA111-X	SI DIODE	
D454	or 1SS355-X	DIODE C.M	
D455	MA111-X	SI DIODE	
D455	or 1SS355-X	DIODE C.M	
D4101	RB521S-30-X	SB DIODE	
D4102	RB521S-30-X	SB DIODE	
D4151	MA357-X	VARI CAP DIODE	
D4201	RB521S-30-X	SB DIODE	
D4301	MA111-X	SI DIODE	
D4301	or 1SS355-X	DIODE C.M	
D4302	MA111-X	SI DIODE	
D4302	or 1SS355-X	DIODE C.M	
D4303	UDZW8.2B-X	Z DIODE	
D4701	MA111-X	SI DIODE	
D4701	or 1SS355-X	DIODE C.M	
D4702	MA8047/M/-X	Z DIODE	
D4702	or UDZW4.7B-X	Z DIODE	
D4703	MA8047/M/-X	Z DIODE	
D4703	or UDZW4.7B-X	Z DIODE	
D4704	BAV99L-X	SI DIODE	
D4705	BAV99L-X	SI DIODE	
D4706	MA8047/M/-X	Z DIODE	
D4707	MA8047/M/-X	Z DIODE	
D4708	MA111-X	SI DIODE	
D4709	MA111-X	SI DIODE	
D4710	RSB6.8S-X	SB DIODE	

△ Symbol No.	Part No.	Part Name	Description	Local	△ Symbol No.	Part No.	Part Name	Description	Local
D4801	SML-311DT/HJK/X	LED			C495	NCB31CK-104X	C CAPACITOR	0.1uF 16V K	
D4802	SML-311DT/HJK/X	LED			C496	NCB11CK-475X	C CAPACITOR	4.7uF 16V K	
D4803	SML-311DT/HJK/X	LED			C497	NCB31CK-104X	C CAPACITOR	0.1uF 16V K	
D4804	LSQ971/KL-X	LED			C498	NCB31HK-103X	C CAPACITOR	0.01uF 50V K	
D4811	MA8062/M-X	Z DIODE			C4101	NBE20JM-476X	TA E CAPACITOR	47uF 6.3V M	
D4811	or UDZW6.2B-X	Z DIODE			C4102	NCB31CK-104X	C CAPACITOR	0.1uF 16V K	
D4812	MA8062/M-X	Z DIODE			C4103	NDC31HJ-101X	C CAPACITOR	100pF 50V J	
D4812	or UDZW6.2B-X	Z DIODE			C4104	NCB31HK-103X	C CAPACITOR	0.01uF 50V K	
D4901	SML-311DT/HJK/X	LED			C4105	NCB31HK-103X	C CAPACITOR	0.01uF 50V K	
D4902	SML-311DT/HJK/X	LED			C4106	NBE20JM-476X	TA E CAPACITOR	47uF 6.3V M	
D4903	SML-311DT/HJK/X	LED			C4107	NDC31HJ-121X	C CAPACITOR	120pF 50V J	
D4904	SML-311DT/HJK/X	LED			C4108	NCB31HK-102X	C CAPACITOR	1000pF 50V K	
D4905	SML-311DT/HJK/X	LED			C4109	NDC31HJ-221X	C CAPACITOR	220pF 50V J	
D4906	SML-311DT/HJK/X	LED			C4110	NDC31HJ-180X	C CAPACITOR	18pF 50V J	
D4907	SML-311DT/HJK/X	LED			C4111	NDC31HJ-180X	C CAPACITOR	18pF 50V J	
D4908	SML-311DT/HJK/X	LED			C4112	NDC31HJ-180X	C CAPACITOR	18pF 50V J	
D4909	SML-311DT/HJK/X	LED			C4113	NDC31HJ-180X	C CAPACITOR	18pF 50V J	
D4910	SML-311DT/HJK/X	LED			C4114	NDC31HJ-180X	C CAPACITOR	18pF 50V J	
D4911	MC2836-X	DIODE			C4115	NDC31HJ-180X	C CAPACITOR	18pF 50V J	
					C4116	NDC31HJ-180X	C CAPACITOR	18pF 50V J	
C401	NCB31HK-103X	C CAPACITOR	0.01uF 50V K		C4117	NDC31HJ-180X	C CAPACITOR	18pF 50V J	
C402	NCB31HK-103X	C CAPACITOR	0.01uF 50V K		C4118	NDC31HJ-180X	C CAPACITOR	18pF 50V J	
C404	NDC31HJ-100X	C CAPACITOR	10pF 50V J		C4119	NDC31HJ-180X	C CAPACITOR	18pF 50V J	
C405	NDC31HJ-100X	C CAPACITOR	10pF 50V J		C4121	NCB31CK-104X	C CAPACITOR	0.1uF 16V K	
C406	NCB31AK-474X	C CAPACITOR	0.47uF 10V K		C4122	NBE20JM-476X	TA E CAPACITOR	47uF 6.3V M	
C407	NCB31CK-473X	C CAPACITOR	0.047uF 16V K		C4123	NCB31CK-104X	C CAPACITOR	0.1uF 16V K	
C408	NDC31HJ-221X	C CAPACITOR	220pF 50V J		C4124	NBE41AM-476X	TA E CAPACITOR	47uF 10V M	
C410	NDC31HJ-471X	C CAPACITOR	470pF 50V J		C4125	NCB31CK-104X	C CAPACITOR	0.1uF 16V K	
C411	NCB31CK-473X	C CAPACITOR	0.047uF 16V K		C4126	NCJ11EK-106X-R	C CAPACITOR	10uF 25V	
C412	NDC31HJ-221X	C CAPACITOR	220pF 50V J		C4127	NCB31HK-104X	C CAPACITOR	0.1uF 50V K	
C414	NCB31CK-104X	C CAPACITOR	0.1uF 16V K		C4128	NCB31CK-104X	C CAPACITOR	0.1uF 16V K	
C421	NBE21CM-475X	TA E CAPACITOR	4.7uF 16V M		C4129	NCB31HK-103X	C CAPACITOR	0.01uF 50V K	
C441	NBE20JM-226X	TA E CAPACITOR	22uF 6.3V M		C4130	NBE20JM-476X	TA E CAPACITOR	47uF 6.3V M	
C442	NCB31HK-103X	C CAPACITOR	0.01uF 50V K		C4131	NCB31CK-104X	C CAPACITOR	0.1uF 16V K	
C443	NDC31HJ-330X	C CAPACITOR	33pF 50V J		C4132	NCB31CK-104X	C CAPACITOR	0.1uF 16V K	
C444	NDC31HJ-330X	C CAPACITOR	33pF 50V J		C4133	NCJ11EK-106X-R	C CAPACITOR	10uF 25V	
C445	NCB31HK-103X	C CAPACITOR	0.01uF 50V K		C4134	NDC31HJ-180X	C CAPACITOR	18pF 50V J	
C451	NBE21AM-106X	TA E CAPACITOR	10uF 10V M		C4135	NCB31HK-103X	C CAPACITOR	0.01uF 50V K	
C452	NCB31CK-105X	C CAPACITOR	1uF 16V K		C4151	NCB31CK-104X	C CAPACITOR	0.1uF 16V K	
C453	NBE20JM-475X	TA E CAPACITOR	4.7uF 6.3V M		C4152	NBE41AM-476X	TA E CAPACITOR	47uF 10V M	
C455	NCB21AK-225X	C CAPACITOR	2.2uF 10V K		C4153	NCB31CK-105X	C CAPACITOR	1uF 16V K	
C456	NCB31HK-103X	C CAPACITOR	0.01uF 50V K		C4154	NBE21AM-106X	TA E CAPACITOR	10uF 10V M	
C458	NBE21AM-226X	TA E CAPACITOR	22uF 10V M		C4155	NCB31CK-104X	C CAPACITOR	0.1uF 16V K	
C459	NCB31CK-104X	C CAPACITOR	0.1uF 16V K		C4156	NDC31HJ-561X	C CAPACITOR	560pF 50V J	
C460	NDC31HJ-101X	C CAPACITOR	100pF 50V J		C4157	NCB31CK-104X	C CAPACITOR	0.1uF 16V K	
C461	NBE21AM-226X	TA E CAPACITOR	22uF 10V M		C4158	NCB31CK-104X	C CAPACITOR	0.1uF 16V K	
C462	NBE20JM-475X	TA E CAPACITOR	4.7uF 6.3V M		C4159	NCB31HK-102X	C CAPACITOR	1000pF 50V K	
C463	NBE20JM-475X	TA E CAPACITOR	4.7uF 6.3V M		C4160	NCB31CK-104X	C CAPACITOR	0.1uF 16V K	
C464	NBE20JM-475X	TA E CAPACITOR	4.7uF 6.3V M		C4162	NCB31CK-105X	C CAPACITOR	1uF 16V K	
C465	NCB20JK-475X	C CAPACITOR	4.7uF 6.3V K		C4163	NCJ11EK-106X-R	C CAPACITOR	10uF 25V	
C466	NCB20JK-475X	C CAPACITOR	4.7uF 6.3V K		C4164	NCB11CK-475X	C CAPACITOR	4.7uF 16V K	
C467	NCB20JK-475X	C CAPACITOR	4.7uF 6.3V K		C4165	NCB31HK-102X	C CAPACITOR	1000pF 50V K	
C468	NCB31CK-105X	C CAPACITOR	1uF 16V K		C4301	NCB31CK-105X	C CAPACITOR	1uF 16V K	
C469	NCB31CK-105X	C CAPACITOR	1uF 16V K		C4302	NCB31HK-103X	C CAPACITOR	0.01uF 50V K	
C470	NCB31CK-105X	C CAPACITOR	1uF 16V K		C4303	NCB31HK-103X	C CAPACITOR	0.01uF 50V K	
C471	NCB20JK-475X	C CAPACITOR	4.7uF 6.3V K		C4304	NBE21AM-226X	TA E CAPACITOR	22uF 10V M	
C472	NCB20JK-475X	C CAPACITOR	4.7uF 6.3V K		C4305	NCB31HK-103X	C CAPACITOR	0.01uF 50V K	
C473	NCB31CK-104X	C CAPACITOR	0.1uF 16V K		C4306	NBE41CM-226X	TA E CAPACITOR	22uF 16V M	
C474	NDC31HJ-101X	C CAPACITOR	100pF 50V J		C4307	NCB31CK-105X	C CAPACITOR	1uF 16V K	
C475	NCB20JK-475X	C CAPACITOR	4.7uF 6.3V K		C4702	NCB31CK-104X	C CAPACITOR	0.1uF 16V K	
C476	NDC31HJ-101X	C CAPACITOR	100pF 50V J		C4703	NCB21CK-105X	C CAPACITOR	1uF 16V K	
C477	NCB31CK-104X	C CAPACITOR	0.1uF 16V K		C4704	NCB21CK-105X	C CAPACITOR	1uF 16V K	
C478	NBE20JM-476X	TA E CAPACITOR	47uF 6.3V M		C4705	NQR0450-001X	EMI FILTER	0.022uF 50V M	
C479	NCB31CK-104X	C CAPACITOR	0.1uF 16V K		C4706	NCB31CK-105X	C CAPACITOR	1uF 16V K	
C480	NBE51CM-476X	TA E CAPACITOR	47uF 16V M		C4707	NCB31HK-103X	C CAPACITOR	0.01uF 50V K	
C481	NDC31HJ-471X	C CAPACITOR	470pF 50V J		C4708	NCB31AK-474X	C CAPACITOR	0.47uF 10V K	
C482	NCB31HK-332X	C CAPACITOR	3300pF 50V K		C4709	NCB31CK-104X	C CAPACITOR	0.1uF 16V K	
C483	NCB31HK-222X	C CAPACITOR	2200pF 50V K		C4710	NDC31HJ-101X	C CAPACITOR	100pF 50V J	
C484	NCB31HK-223X	C CAPACITOR	0.022uF 50V K		C4711	NCB31CK-104X	C CAPACITOR	0.1uF 16V K	
C485	NBE41CM-226X	TA E CAPACITOR	22uF 16V M		C4712	NCB31HK-153X	C CAPACITOR	0.015uF 50V K	
C486	NCB21CK-474X	C CAPACITOR	0.47uF 16V K		C4713	NCB31HK-102X	C CAPACITOR	1000pF 50V K	
C487	NCB31CK-223X	C CAPACITOR	0.022uF 16V K		C4714	NDC31HJ-221X	C CAPACITOR	220pF 50V J	
C488	NCB31HK-103X	C CAPACITOR	0.01uF 50V K		C4715	NCB31CK-473X	C CAPACITOR	0.047uF 16V K	
C489	NCB21CK-105X	C CAPACITOR	1uF 16V K		C4717	NDC31HJ-101X	C CAPACITOR	100pF 50V J	
C491	NCJ11EK-106X-R	C CAPACITOR	10uF 25V		C4718	NDC31HJ-101X	C CAPACITOR	100pF 50V J	
C492	NCB31CK-104X	C CAPACITOR	0.1uF 16V K		C4719	NDC31HJ-101X	C CAPACITOR	100pF 50V J	
C493	NCJ11EK-106X-R	C CAPACITOR	10uF 25V		C4720	NDC31HJ-101X	C CAPACITOR	100pF 50V J	
C494	NCB31CK-104X	C CAPACITOR	0.1uF 16V K		C4721	NCB31HK-473X	C CAPACITOR	0.047uF 50V K	



△ Symbol No.	Part No.	Part Name	Description	Local	△ Symbol No.	Part No.	Part Name	Description	Local
C4722	NCB31HK-473X	C CAPACITOR	0.047uF 50V K		R475	NRSA63J-223X	MG RESISTOR	22kΩ 1/16W J	
C4723	NCJ11EK-106X-R	C CAPACITOR	10uF 25V		R477	NRSA63J-104X	MG RESISTOR	100kΩ 1/16W J	
C4724	NCJ11EK-106X-R	C CAPACITOR	10uF 25V		R478	NRSA63J-332X	MG RESISTOR	3.3kΩ 1/16W J	
C4725	NCJ11EK-106X-R	C CAPACITOR	10uF 25V		R479	NRSA63J-105X	MG RESISTOR	1MΩ 1/16W J	
C4726	NCJ11EK-106X-R	C CAPACITOR	10uF 25V		R480	NRSA63J-332X	MG RESISTOR	3.3kΩ 1/16W J	
C4727	NCJ11EK-106X-R	C CAPACITOR	10uF 25V		R481	NRSA63J-103X	MG RESISTOR	10kΩ 1/16W J	
C4728	NCB11CK-225X	C CAPACITOR	2.2uF 16V K		R482	NRSA63J-103X	MG RESISTOR	10kΩ 1/16W J	
C4729	NCB31CK-104X	C CAPACITOR	0.1uF 16V K		R483	NRSA63J-103X	MG RESISTOR	10kΩ 1/16W J	
C4730	NCZ1011-100X	C CAPACITOR	10pF		R484	NRSA63J-822X	MG RESISTOR	8.2kΩ 1/16W J	
C4731	NCB31EK-153X	C CAPACITOR	0.015uF 25V K		R485	NRSA63J-822X	MG RESISTOR	8.2kΩ 1/16W J	
C4733	NCB31CK-105X	C CAPACITOR	1uF 16V K		R486	NRSA63J-822X	MG RESISTOR	8.2kΩ 1/16W J	
C4734	NCB31CK-104X	C CAPACITOR	0.1uF 16V K		R487	NRSA63J-223X	MG RESISTOR	22kΩ 1/16W J	
C4801	NCB31CK-104X	C CAPACITOR	0.1uF 16V K		R489	NRSA63J-223X	MG RESISTOR	22kΩ 1/16W J	
C4906	NCB31HK-103X	C CAPACITOR	0.01uF 50V K		R490	NRSA63J-0R0X	MG RESISTOR	0Ω 1/16W J	
C4951	NCB31CK-104X	C CAPACITOR	0.1uF 16V K		R491	NRSA63J-333X	MG RESISTOR	33kΩ 1/16W J	
R401	NRSA63J-102X	MG RESISTOR	1kΩ 1/16W J		R492	NRSA63J-683X	MG RESISTOR	68kΩ 1/16W J	
R402	NRSA63J-0R0X	MG RESISTOR	0Ω 1/16W J		R493	NRSA63J-101X	MG RESISTOR	100Ω 1/16W J	
R403	NRSA63J-473X	MG RESISTOR	47kΩ 1/16W J		R494	NRSA63J-103X	MG RESISTOR	10kΩ 1/16W J	
R406	NRSA63J-271X	MG RESISTOR	270Ω 1/16W J		R495	NRSA63J-103X	MG RESISTOR	10kΩ 1/16W J	
R407	NRSA63J-271X	MG RESISTOR	270Ω 1/16W J		R496	NRSA63J-390X	MG RESISTOR	39Ω 1/16W J	
R409	NRSA63J-102X	MG RESISTOR	1kΩ 1/16W J		R497	NRSA63J-2R2X	MG RESISTOR	2.2Ω 1/16W J	
R410	NRSA63J-102X	MG RESISTOR	1kΩ 1/16W J		R498	NRSA63J-2R2X	MG RESISTOR	2.2Ω 1/16W J	
R411	NRSA63J-183X	MG RESISTOR	18kΩ 1/16W J		R499	NRSA63J-390X	MG RESISTOR	39Ω 1/16W J	
R412	NRSA63J-102X	MG RESISTOR	1kΩ 1/16W J		R4101	NRSA63J-474X	MG RESISTOR	470kΩ 1/16W J	
R413	NRSA63J-102X	MG RESISTOR	1kΩ 1/16W J		R4102	NRSA63J-103X	MG RESISTOR	10kΩ 1/16W J	
R414	NRSA63J-102X	MG RESISTOR	1kΩ 1/16W J		R4103	NRSA63J-102X	MG RESISTOR	1kΩ 1/16W J	
R415	NRSA63J-102X	MG RESISTOR	1kΩ 1/16W J		R4104	NRSA63J-101X	MG RESISTOR	100Ω 1/16W J	
R416	NRSA63J-102X	MG RESISTOR	1kΩ 1/16W J		R4105	NRSA63J-101X	MG RESISTOR	100Ω 1/16W J	
R417	NRSA63J-102X	MG RESISTOR	1kΩ 1/16W J		R4106	NRSA63J-101X	MG RESISTOR	100Ω 1/16W J	
R418	NRSA63J-102X	MG RESISTOR	1kΩ 1/16W J		R4107	NRSA63J-0R0X	MG RESISTOR	0Ω 1/16W J	
R419	NRSA63J-102X	MG RESISTOR	1kΩ 1/16W J		R4108	NRSA63J-101X	MG RESISTOR	100Ω 1/16W J	
R420	NRSA63J-102X	MG RESISTOR	1kΩ 1/16W J		R4109	NRSA63J-101X	MG RESISTOR	100Ω 1/16W J	
R421	NRSA63J-102X	MG RESISTOR	1kΩ 1/16W J		R4110	NRSA63J-101X	MG RESISTOR	100Ω 1/16W J	
R422	NRSA63J-102X	MG RESISTOR	1kΩ 1/16W J		R4111	NRSA63J-101X	MG RESISTOR	100Ω 1/16W J	
R423	NRSA63J-152X	MG RESISTOR	1.5kΩ 1/16W J		R4112	NRSA63J-101X	MG RESISTOR	100Ω 1/16W J	
R424	NRSA63J-152X	MG RESISTOR	1.5kΩ 1/16W J		R4113	NRSA63J-101X	MG RESISTOR	100Ω 1/16W J	
R425	NRSA63J-152X	MG RESISTOR	1.5kΩ 1/16W J		R4114	NRSA63J-101X	MG RESISTOR	100Ω 1/16W J	
R426	NRSA63J-102X	MG RESISTOR	1kΩ 1/16W J		R4115	NRSA63J-101X	MG RESISTOR	100Ω 1/16W J	
R427	NRSA63J-102X	MG RESISTOR	1kΩ 1/16W J		R4116	NRSA63J-101X	MG RESISTOR	100Ω 1/16W J	
R428	NRSA63J-102X	MG RESISTOR	1kΩ 1/16W J		R4117	NRSA63J-332X	MG RESISTOR	3.3kΩ 1/16W J	
R429	NRSA63J-102X	MG RESISTOR	1kΩ 1/16W J		R4118	NRSA63J-103X	MG RESISTOR	10kΩ 1/16W J	
R430	NRSA63J-102X	MG RESISTOR	1kΩ 1/16W J		R4119	NRSA63J-183X	MG RESISTOR	18kΩ 1/16W J	
R431	NRSA63J-101X	MG RESISTOR	100Ω 1/16W J		R4121	NRSA63J-103X	MG RESISTOR	10kΩ 1/16W J	
R432	NRSA63J-103X	MG RESISTOR	10kΩ 1/16W J		R4122	NRSA63J-0R0X	MG RESISTOR	0Ω 1/16W J	
R433	NRSA63J-333X	MG RESISTOR	33kΩ 1/16W J		R4123	NRSA63J-0R0X	MG RESISTOR	0Ω 1/16W J	
R434	NRSA63J-683X	MG RESISTOR	68kΩ 1/16W J		R4151	NRSA63J-562X	MG RESISTOR	5.6kΩ 1/16W J	
R435	NRSA63J-124X	MG RESISTOR	120kΩ 1/16W J		R4152	NRSA63J-332X	MG RESISTOR	3.3kΩ 1/16W J	
R436	NRSA63J-274X	MG RESISTOR	270kΩ 1/16W J		R4153	NRSA63J-683X	MG RESISTOR	68kΩ 1/16W J	
R437	NRSA63J-124X	MG RESISTOR	120kΩ 1/16W J		R4154	NRSA63J-473X	MG RESISTOR	47kΩ 1/16W J	
R438	NRSA63J-104X	MG RESISTOR	100kΩ 1/16W J		R4155	NRSA63J-223X	MG RESISTOR	22kΩ 1/16W J	
R439	NRSA63J-334X	MG RESISTOR	330kΩ 1/16W J		R4156	NRSA63J-683X	MG RESISTOR	68kΩ 1/16W J	
R441	NRSA63J-102X	MG RESISTOR	1kΩ 1/16W J		R4157	NRSA63J-105X	MG RESISTOR	1MΩ 1/16W J	
R442	NRSA63J-102X	MG RESISTOR	1kΩ 1/16W J		R4158	NRSA63J-103X	MG RESISTOR	10kΩ 1/16W J	
R443	NRSA63J-102X	MG RESISTOR	1kΩ 1/16W J		R4159	NRSA63J-103X	MG RESISTOR	10kΩ 1/16W J	
R444	NRSA63J-102X	MG RESISTOR	1kΩ 1/16W J		R4160	NRSA63J-104X	MG RESISTOR	100kΩ 1/16W J	
R445	NRSA63J-102X	MG RESISTOR	1kΩ 1/16W J		R4162	NRSA63J-103X	MG RESISTOR	10kΩ 1/16W J	
R446	NRSA63J-102X	MG RESISTOR	1kΩ 1/16W J		R4163	NRSA63J-333X	MG RESISTOR	33kΩ 1/16W J	
R447	NRSA63J-102X	MG RESISTOR	1kΩ 1/16W J		R4164	NRSA63J-103X	MG RESISTOR	10kΩ 1/16W J	
R451	NRSA63J-101X	MG RESISTOR	100Ω 1/16W J		R4165	NRSA63J-471X	MG RESISTOR	470Ω 1/16W J	
R453	NRSA63J-331X	MG RESISTOR	330Ω 1/16W J		R4167	NRSA63J-333X	MG RESISTOR	33kΩ 1/16W J	
R454	NRSA63J-153X	MG RESISTOR	15kΩ 1/16W J		R4168	NRSA63J-0R0X	MG RESISTOR	0Ω 1/16W J	
R455	NRSA63J-333X	MG RESISTOR	33kΩ 1/16W J		R4203	NRSA63J-391X	MG RESISTOR	390Ω 1/16W J	
R456	NRSA63J-334X	MG RESISTOR	330kΩ 1/16W J		R4204	NRSA63J-473X	MG RESISTOR	47kΩ 1/16W J	
R457	NRSA63J-102X	MG RESISTOR	1kΩ 1/16W J		R4205	NRSA63J-562X	MG RESISTOR	5.6kΩ 1/16W J	
R458	NRSA63J-683X	MG RESISTOR	68kΩ 1/16W J		R4206	NRSA63J-152X	MG RESISTOR	1.5kΩ 1/16W J	
R459	NRSA63J-331X	MG RESISTOR	330Ω 1/16W J		R4207	NRSA63J-152X	MG RESISTOR	1.5kΩ 1/16W J	
R461	NRSA63J-222X	MG RESISTOR	2.2kΩ 1/16W J		R4208	NRSA63J-473X	MG RESISTOR	47kΩ 1/16W J	
R462	NRSA63J-222X	MG RESISTOR	2.2kΩ 1/16W J		R4209	NRSA63J-473X	MG RESISTOR	47kΩ 1/16W J	
R463	NRSA63J-222X	MG RESISTOR	2.2kΩ 1/16W J		R4210	NRSA63J-474X	MG RESISTOR	470kΩ 1/16W J	
R464	NRSA63J-153X	MG RESISTOR	15kΩ 1/16W J		R4211	NRSA63J-0R0X	MG RESISTOR	0Ω 1/16W J	
R465	NRSA63J-153X	MG RESISTOR	15kΩ 1/16W J		R4212	NRSA63J-102X	MG RESISTOR	1kΩ 1/16W J	
R466	NRSA63J-153X	MG RESISTOR	15kΩ 1/16W J		R4221	NRSA63J-102X	MG RESISTOR	1kΩ 1/16W J	
R469	NRSA63J-101X	MG RESISTOR	100Ω 1/16W J		R4223	NRSA63J-332X	MG RESISTOR	3.3kΩ 1/16W J	
R470	NRSA63J-101X	MG RESISTOR	100Ω 1/16W J		R4228	NRSA63J-182X	MG RESISTOR	1.8kΩ 1/16W J	
R471	NRSA63J-101X	MG RESISTOR	100Ω 1/16W J		R4230	NRSA63J-272X	MG RESISTOR	2.7kΩ 1/16W J	
R473	NRSA63J-0R0X	MG RESISTOR	0Ω 1/16W J		R4232	NRSA63J-472X	MG RESISTOR	4.7kΩ 1/16W J	
R474	NRSA63J-104X	MG RESISTOR	100kΩ 1/16W J		R4234	NRSA63J-472X	MG RESISTOR	4.7kΩ 1/16W J	
					R4235	NRSA63J-332X	MG RESISTOR	3.3kΩ 1/16W J	
					R4237	NRSA63J-472X	MG RESISTOR	4.7kΩ 1/16W J	



△ Symbol No.	Part No.	Part Name	Description	Local	△ Symbol No.	Part No.	Part Name	Description	Local
C101	NCB31CK-104X	C CAPACITOR	0.1uF 16V K		C381	NCB31CK-104X	C CAPACITOR	0.1uF 16V K	
C102	NCB31CK-104X	C CAPACITOR	0.1uF 16V K		C382	NCB31CK-104X	C CAPACITOR	0.1uF 16V K	
C103	NCB31CK-104X	C CAPACITOR	0.1uF 16V K		C383	NCB31CK-104X	C CAPACITOR	0.1uF 16V K	
C104	NCB31CK-104X	C CAPACITOR	0.1uF 16V K		C384	NCB31CK-104X	C CAPACITOR	0.1uF 16V K	
C105	NBE41AM-476X	TA E CAPACITOR	47uF 10V M		C385	NCB31CK-104X	C CAPACITOR	0.1uF 16V K	
C106	NBE41AM-476X	TA E CAPACITOR	47uF 10V M		C386	NCB31CK-104X	C CAPACITOR	0.1uF 16V K	
C108	NBE41AM-476X	TA E CAPACITOR	47uF 10V M		C387	NCB31CK-104X	C CAPACITOR	0.1uF 16V K	
C111	NCB31CK-104X	C CAPACITOR	0.1uF 16V K		C388	NCB31CK-104X	C CAPACITOR	0.1uF 16V K	
C112	NCB31CK-104X	C CAPACITOR	0.1uF 16V K		C391	NCB31CK-104X	C CAPACITOR	0.1uF 16V K	
C201	NEAF1CM-107X	E CAPACITOR	100uF 16V M		C392	NCB31CK-104X	C CAPACITOR	0.1uF 16V K	
C202	NCB31CK-104X	C CAPACITOR	0.1uF 16V K		C393	NCB31CK-104X	C CAPACITOR	0.1uF 16V K	
C203	NCS31HJ-271X	C CAPACITOR	270pF 50V J		C394	NCB31CK-104X	C CAPACITOR	0.1uF 16V K	
C204	NDC31HJ-151X	C CAPACITOR	150pF 50V J		C396	NCB31CK-104X	C CAPACITOR	0.1uF 16V K	
C205	NCB31HK-681X	C CAPACITOR	680pF 50V K		C397	NBE20JM-226X	TA E CAPACITOR	22uF 6.3V M	
C206	NCB31HK-561X	C CAPACITOR	560pF 50V K		C451	NCB31CK-104X	C CAPACITOR	0.1uF 16V K	
C211	NEAF1CM-107X	E CAPACITOR	100uF 16V M		C452	NCB31CK-104X	C CAPACITOR	0.1uF 16V K	
C212	NCB31CK-104X	C CAPACITOR	0.1uF 16V K		C453	NCB31CK-104X	C CAPACITOR	0.1uF 16V K	
C213	NCB31CK-104X	C CAPACITOR	0.1uF 16V K		C454	NCB31CK-104X	C CAPACITOR	0.1uF 16V K	
C221	NCB31HK-223X	C CAPACITOR	0.022uF 50V K		C481	NCB31CK-104X	C CAPACITOR	0.1uF 16V K	
C222	NCB31HK-103X	C CAPACITOR	0.01uF 50V K		C491	NCB31CK-104X	C CAPACITOR	0.1uF 16V K	
C251	NCB31CK-104X	C CAPACITOR	0.1uF 16V K		R101	NRSA63J-910X	MG RESISTOR	91Ω 1/16W J	
C252	NEAF1CM-107X	E CAPACITOR	100uF 16V M		R102	NRSA63J-910X	MG RESISTOR	91Ω 1/16W J	
C253	NCB31CK-104X	C CAPACITOR	0.1uF 16V K		R103	NRSA63D-432X	MG RESISTOR	4.3kΩ 1/16W D	
C254	NBE21AM-106X	TA E CAPACITOR	10uF 10V M		R104	NRSA63D-242X	MG RESISTOR	2.4kΩ 1/16W D	
C255	NCB31CK-104X	C CAPACITOR	0.1uF 16V K		R105	NRS125J-120X	MG RESISTOR	12Ω 1/2W J	
C256	NCB31CK-473X	C CAPACITOR	0.047uF 16V K		R106	NRSA63J-2R2X	MG RESISTOR	2.2Ω 1/16W J	
C257	NCB31HK-102X	C CAPACITOR	1000pF 50V K		R107	NRSA63J-102X	MG RESISTOR	1kΩ 1/16W J	
C258	NCB31HK-102X	C CAPACITOR	1000pF 50V K		R108	NRSA63J-471X	MG RESISTOR	470Ω 1/16W J	
C259	NCB31HK-102X	C CAPACITOR	1000pF 50V K		R109	NRSA63J-331X	MG RESISTOR	330Ω 1/16W J	
C264	NCB31HK-103X	C CAPACITOR	0.01uF 50V K		R110	NRSA63J-0R0X	MG RESISTOR	0Ω 1/16W J	
C265	NCB31CK-104X	C CAPACITOR	0.1uF 16V K		R111	NRSA63D-432X	MG RESISTOR	4.3kΩ 1/16W D	
C266	NCB31CK-104X	C CAPACITOR	0.1uF 16V K		R112	NRSA63D-242X	MG RESISTOR	2.4kΩ 1/16W D	
C267	NCB31HK-103X	C CAPACITOR	0.01uF 50V K		R113	NRS125J-120X	MG RESISTOR	12Ω 1/2W J	
C268	NCB31HK-153X	C CAPACITOR	0.015uF 50V K		R114	NRSA63J-2R2X	MG RESISTOR	2.2Ω 1/16W J	
C301	NEAF0JM-227X	E CAPACITOR	220uF 6.3V M		R115	NRSA63J-102X	MG RESISTOR	1kΩ 1/16W J	
C302	NBE40JM-476X	TA E CAPACITOR	47uF 6.3V M		R116	NRSA63J-471X	MG RESISTOR	470Ω 1/16W J	
C305	NCB31CK-104X	C CAPACITOR	0.1uF 16V K		R117	NRSA63J-331X	MG RESISTOR	330Ω 1/16W J	
C308	NCB31CK-104X	C CAPACITOR	0.1uF 16V K		R118	NRSA63J-0R0X	MG RESISTOR	0Ω 1/16W J	
C309	NCB31CK-104X	C CAPACITOR	0.1uF 16V K		R119	NRSA63J-0R0X	MG RESISTOR	0Ω 1/16W J	
C310	NCB31HK-103X	C CAPACITOR	0.01uF 50V K		R120	NRSA63J-0R0X	MG RESISTOR	0Ω 1/16W J	
C311	NCB31CK-104X	C CAPACITOR	0.1uF 16V K		R122	NRSA63J-0R0X	MG RESISTOR	0Ω 1/16W J	
C312	NCB21CK-105X	C CAPACITOR	1uF 16V K		R123	NRSA63J-0R0X	MG RESISTOR	0Ω 1/16W J	
C313	NCB31CK-104X	C CAPACITOR	0.1uF 16V K		R125	NRS125J-1R0X	MG RESISTOR	1Ω 1/2W J	
C315	NCB31CK-104X	C CAPACITOR	0.1uF 16V K		R126	NRSA02J-0R0X	MG RESISTOR	0Ω 1/10W J	
C316	NCB31CK-105X	C CAPACITOR	1uF 16V K		R127	NRSA63J-103X	MG RESISTOR	10kΩ 1/16W J	
C317	NCB31CK-104X	C CAPACITOR	0.1uF 16V K		R128	NRSA63J-103X	MG RESISTOR	10kΩ 1/16W J	
C318	NCB31CK-104X	C CAPACITOR	0.1uF 16V K		R129	NRSA63J-104X	MG RESISTOR	100kΩ 1/16W J	
C319	NCB31CK-104X	C CAPACITOR	0.1uF 16V K		R201	NRS125J-1R0X	MG RESISTOR	1Ω 1/2W J	
C320	NCB31CK-104X	C CAPACITOR	0.1uF 16V K		R202	NRSA63J-473X	MG RESISTOR	47kΩ 1/16W J	
C321	NCB31CK-104X	C CAPACITOR	0.1uF 16V K		R203	NRSA63J-303X	MG RESISTOR	30kΩ 1/16W J	
C322	NCB31CK-104X	C CAPACITOR	0.1uF 16V K		R204	NRSA63J-273X	MG RESISTOR	27kΩ 1/16W J	
C323	NCB31CK-104X	C CAPACITOR	0.1uF 16V K		R205	NRSA63J-273X	MG RESISTOR	27kΩ 1/16W J	
C324	NCB21CK-105X	C CAPACITOR	1uF 16V K		R206	NRSA63J-0R0X	MG RESISTOR	0Ω 1/16W J	
C325	NDC31HJ-100X	C CAPACITOR	10pF 50V J		R207	NRSA63J-0R0X	MG RESISTOR	0Ω 1/16W J	
C326	NDC31HJ-100X	C CAPACITOR	10pF 50V J		R208	NRSA63J-203X	MG RESISTOR	20kΩ 1/16W J	
C330	NCB31CK-104X	C CAPACITOR	0.1uF 16V K		R209	NRSA63J-223X	MG RESISTOR	22kΩ 1/16W J	
C331	NCB31CK-333X	C CAPACITOR	0.033uF 16V K		R211	NRSA63J-0R0X	MG RESISTOR	0Ω 1/16W J	
C332	NCB31CK-104X	C CAPACITOR	0.1uF 16V K		R219	NRSA63J-153X	MG RESISTOR	15kΩ 1/16W J	
C333	NCB31CK-104X	C CAPACITOR	0.1uF 16V K		R220	NRSA63J-183X	MG RESISTOR	18kΩ 1/16W J	
C335	NCB31CK-104X	C CAPACITOR	0.1uF 16V K		R221	NRSA63J-103X	MG RESISTOR	10kΩ 1/16W J	
C336	NCB31CK-104X	C CAPACITOR	0.1uF 16V K		R222	NRSA63J-103X	MG RESISTOR	10kΩ 1/16W J	
C337	NCB31HK-183X	C CAPACITOR	0.018uF 50V K		R223	NRSA63J-0R0X	MG RESISTOR	0Ω 1/16W J	
C338	NCB31HK-562X	C CAPACITOR	5600pF 50V K		R224	NRSA63J-103X	MG RESISTOR	10kΩ 1/16W J	
C339	NCB31CK-104X	C CAPACITOR	0.1uF 16V K		R231	NRSA63J-272X	MG RESISTOR	2.7kΩ 1/16W J	
C340	NCB21CK-105X	C CAPACITOR	1uF 16V K		R232	NRSA63J-153X	MG RESISTOR	15kΩ 1/16W J	
C341	NCB21CK-105X	C CAPACITOR	1uF 16V K		R233	NRSA63J-0R0X	MG RESISTOR	0Ω 1/16W J	
C347	NCB31CK-104X	C CAPACITOR	0.1uF 16V K		R234	NRSA63J-394X	MG RESISTOR	390kΩ 1/16W J	
C348	NCB31CK-104X	C CAPACITOR	0.1uF 16V K		R235	NRSA63J-682X	MG RESISTOR	6.8kΩ 1/16W J	
C349	NCB31CK-104X	C CAPACITOR	0.1uF 16V K		R251	NRS125J-R47X	MG RESISTOR	0.47Ω 1/2W J	
C350	NCB31CK-104X	C CAPACITOR	0.1uF 16V K		R252	NRSA63J-103X	MG RESISTOR	10kΩ 1/16W J	
C358	NDC31HJ-5R0X	C CAPACITOR	5pF 50V J		R253	NRSA63J-0R0X	MG RESISTOR	0Ω 1/16W J	
C359	NDC31HJ-5R0X	C CAPACITOR	5pF 50V J		R254	NRSA63J-103X	MG RESISTOR	10kΩ 1/16W J	
C364	NBE40JM-476X	TA E CAPACITOR	47uF 6.3V M		R255	NRSA63J-203X	MG RESISTOR	20kΩ 1/16W J	
C365	NCB31CK-104X	C CAPACITOR	0.1uF 16V K		R256	NRSA63J-470X	MG RESISTOR	47Ω 1/16W J	
C366	NCB21CK-105X	C CAPACITOR	1uF 16V K		R257	NRSA63J-0R0X	MG RESISTOR	0Ω 1/16W J	
C369	NBE40JM-476X	TA E CAPACITOR	47uF 6.3V M		R258	NRSA63J-103X	MG RESISTOR	10kΩ 1/16W J	
C371	NCB21CK-105X	C CAPACITOR	1uF 16V K		R259	NRSA63J-103X	MG RESISTOR	10kΩ 1/16W J	
C380	NCB31CK-104X	C CAPACITOR	0.1uF 16V K						

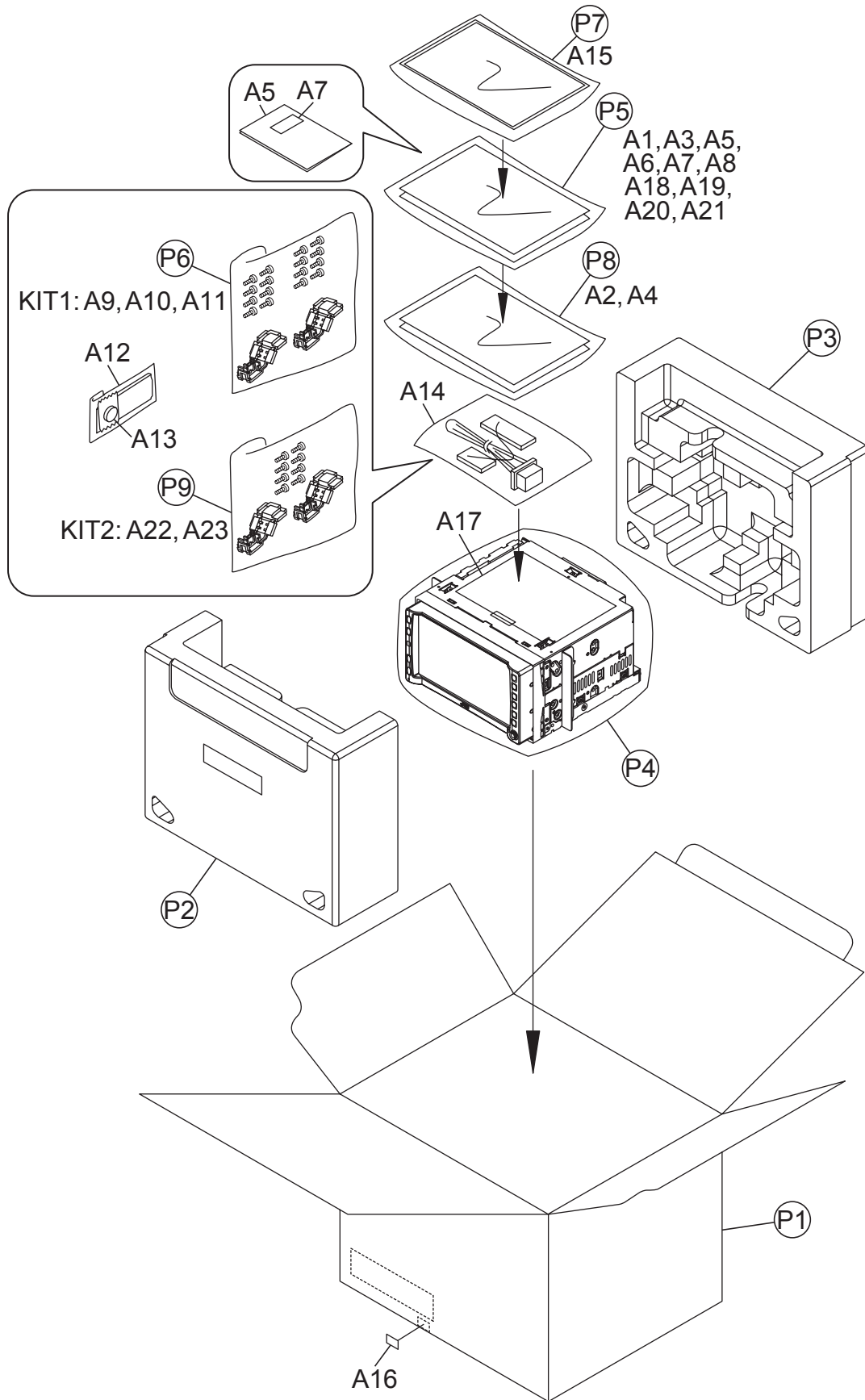
△ Symbol No.	Part No.	Part Name	Description	Local	△ Symbol No.	Part No.	Part Name	Description	Local
R260	NRSA63J-470X	MG RESISTOR	47Ω 1/16W J		R632	NRSA63J-101X	MG RESISTOR	100Ω 1/16W J	
R300	NRSA63J-0R0X	MG RESISTOR	0Ω 1/16W J		L303	NQL044K-100X	COIL	10uH K	
R301	NRSA63J-0R0X	MG RESISTOR	0Ω 1/16W J		L305	NQR0129-002X	FERRITE BEADS		
R303	NRSA63J-270X	MG RESISTOR	27Ω 1/16W J		L306	NQR0129-002X	FERRITE BEADS		
R304	NRSA63J-103X	MG RESISTOR	10kΩ 1/16W J		L307	NQR0129-002X	FERRITE BEADS		
R305	NRSA63J-103X	MG RESISTOR	10kΩ 1/16W J		L451	NQL044K-100X	COIL	10uH K	
R306	NRSA63J-102X	MG RESISTOR	1kΩ 1/16W J		CN101	QGF0501F8-30X	CONNECTOR	FFC/FPC (1-30)	
R307	NRSA63J-102X	MG RESISTOR	1kΩ 1/16W J		CN201	QGF1038F2-11X	CONNECTOR	FFC/FPC (1-11)	
R308	NRSA63J-223X	MG RESISTOR	22kΩ 1/16W J		CN202	QGF0523F2-05W	CONNECTOR	FFC/FPC (1-5)	
R309	NRSA63J-104X	MG RESISTOR	100kΩ 1/16W J		CN401	QGF0534F3-60X	CONNECTOR	FFC/FPC (1-60)	
R310	NRSA63J-102X	MG RESISTOR	1kΩ 1/16W J		CN402	QGF0522F3-06W	CONNECTOR	FFC/FPC (1-6)	
R312	NRSA63J-0R0X	MG RESISTOR	0Ω 1/16W J		CN404	QGF0534F3-10X	CONNECTOR	FFC/FPC (1-10)	
R313	NRSA63J-0R0X	MG RESISTOR	0Ω 1/16W J		K101	NQR0007-002X	FERRITE BEADS		
R314	NRSA63J-0R0X	MG RESISTOR	0Ω 1/16W J		K102	NQR0007-002X	FERRITE BEADS		
R315	NRSA63J-0R0X	MG RESISTOR	0Ω 1/16W J		K301	NQR0502-001X	FERRITE BEADS		
R316	NRSA63J-0R0X	MG RESISTOR	0Ω 1/16W J		K311	NQR0129-002X	FERRITE BEADS		
R317	NRSA63J-223X	MG RESISTOR	22kΩ 1/16W J		K312	NQR0129-002X	FERRITE BEADS		
R318	NRSA63D-332X	MG RESISTOR	3.3kΩ 1/16W D		K399	NQR0502-001X	FERRITE BEADS		
R319	NRSA63J-223X	MG RESISTOR	22kΩ 1/16W J		K401	NQR0022-005X	FERRITE BEADS		
R320	NRSA63J-101X	MG RESISTOR	100Ω 1/16W J		K402	NQR0022-005X	FERRITE BEADS		
R322	NRSA63J-103X	MG RESISTOR	10kΩ 1/16W J		K404	NQR0022-005X	FERRITE BEADS		
R323	NRSA63J-0R0X	MG RESISTOR	0Ω 1/16W J		K405	NQR0022-005X	FERRITE BEADS		
R326	NRSA63J-0R0X	MG RESISTOR	0Ω 1/16W J		K406	NQR0022-005X	FERRITE BEADS		
R327	NRSA63J-0R0X	MG RESISTOR	0Ω 1/16W J		K407	NQR0022-005X	FERRITE BEADS		
R328	NRSA63J-0R0X	MG RESISTOR	0Ω 1/16W J		K421	NQR0022-005X	FERRITE BEADS		
R329	NRSA63J-0R0X	MG RESISTOR	0Ω 1/16W J		K422	NQR0022-005X	FERRITE BEADS		
R332	NRSA63J-102X	MG RESISTOR	1kΩ 1/16W J		K423	NQR0022-005X	FERRITE BEADS		
R333	NRSA63D-162X	MG RESISTOR	1.6kΩ 1/16W D		K424	NQR0022-005X	FERRITE BEADS		
R334	NRSA63J-151X	MG RESISTOR	150Ω 1/16W J		K425	NQL093K-1R8X	COIL	1.8uH K	
R335	NRSA63J-151X	MG RESISTOR	150Ω 1/16W J		K426	NRSA63J-0R0X	MG RESISTOR	0Ω 1/16W J	
R336	NRSA63J-151X	MG RESISTOR	150Ω 1/16W J		K427	NRSA63J-0R0X	MG RESISTOR	0Ω 1/16W J	
R337	NRSA63J-151X	MG RESISTOR	150Ω 1/16W J		K428	NRSA63J-0R0X	MG RESISTOR	0Ω 1/16W J	
R338	NRSA63J-0R0X	MG RESISTOR	0Ω 1/16W J		K430	NRSA63J-101X	MG RESISTOR	100Ω 1/16W J	
R339	NRSA63J-0R0X	MG RESISTOR	0Ω 1/16W J		K431	NRSA63J-101X	MG RESISTOR	100Ω 1/16W J	
R340	NRSA63D-303X	MG RESISTOR	30kΩ 1/16W D		K432	NRSA63J-0R0X	MG RESISTOR	0Ω 1/16W J	
R346	NRSA63J-473X	MG RESISTOR	47kΩ 1/16W J		K433	NRSA63J-181X	MG RESISTOR	180Ω 1/16W J	
R347	NRSA63J-473X	MG RESISTOR	47kΩ 1/16W J		K435	NQR0022-005X	FERRITE BEADS		
R348	NRSA63J-473X	MG RESISTOR	47kΩ 1/16W J		K441	NQR0022-005X	FERRITE BEADS		
R349	NRSA63J-473X	MG RESISTOR	47kΩ 1/16W J		K451	NQR0022-005X	FERRITE BEADS		
R351	NRSA63J-102X	MG RESISTOR	1kΩ 1/16W J		K452	NQR0022-005X	FERRITE BEADS		
R352	NRSA63J-105X	MG RESISTOR	1MΩ 1/16W J		K461	NQR0022-005X	FERRITE BEADS		
R353	NRSA63J-101X	MG RESISTOR	100Ω 1/16W J		K462	NQR0022-005X	FERRITE BEADS		
R354	NRSA63J-101X	MG RESISTOR	100Ω 1/16W J		K601	NQR0022-005X	FERRITE BEADS		
R362	NRSA63J-0R0X	MG RESISTOR	0Ω 1/16W J		K631	NQR0502-001X	FERRITE BEADS		
R363	NRSA63J-151X	MG RESISTOR	150Ω 1/16W J		SW4	NSW0184-001X	DETECT SW		
R364	NRSA63J-151X	MG RESISTOR	150Ω 1/16W J		SW5	NSW0183-001X	DETECT SW		
R365	NRSA63D-911X	MG RESISTOR	910Ω 1/16W D		TH491	NAD0025-103X	N THERMISTOR	10kΩ	
R366	NRSA63D-202X	MG RESISTOR	2kΩ 1/16W D		X351	NAX0730-001X	CRYSTAL		
R370	NRSA63J-103X	MG RESISTOR	10kΩ 1/16W J						
R371	NRSA63J-0R0X	MG RESISTOR	0Ω 1/16W J						
R372	NRSA63J-331X	MG RESISTOR	330Ω 1/16W J						
R373	NRSA63J-331X	MG RESISTOR	330Ω 1/16W J						
R374	NRSA63J-0R0X	MG RESISTOR	0Ω 1/16W J						
R378	NRSA63J-0R0X	MG RESISTOR	0Ω 1/16W J						
R379	NRSA63J-0R0X	MG RESISTOR	0Ω 1/16W J						
R380	NRSA63J-102X	MG RESISTOR	1kΩ 1/16W J						
R381	NRSA63J-473X	MG RESISTOR	47kΩ 1/16W J						
R382	NRSA63J-123X	MG RESISTOR	12kΩ 1/16W J						
R383	NRSA63J-473X	MG RESISTOR	47kΩ 1/16W J						
R384	NRSA63J-102X	MG RESISTOR	1kΩ 1/16W J						
R385	NRSA63J-102X	MG RESISTOR	1kΩ 1/16W J						
R386	NRSA63J-0R0X	MG RESISTOR	0Ω 1/16W J						
R390	NRSA63J-103X	MG RESISTOR	10kΩ 1/16W J						
R391	NRSA63J-473X	MG RESISTOR	47kΩ 1/16W J						
R392	NRSA63J-473X	MG RESISTOR	47kΩ 1/16W J						
R393	NRSA63J-473X	MG RESISTOR	47kΩ 1/16W J						
R394	NRSA63J-105X	MG RESISTOR	1MΩ 1/16W J						
R396	NRSA63J-473X	MG RESISTOR	47kΩ 1/16W J						
R399	NRSA63J-0R0X	MG RESISTOR	0Ω 1/16W J						
R403	NRSA63J-0R0X	MG RESISTOR	0Ω 1/16W J						
R405	NRSA63J-0R0X	MG RESISTOR	0Ω 1/16W J						
R481	NRSA63J-103X	MG RESISTOR	10kΩ 1/16W J						
R491	NRSA63D-472X	MG RESISTOR	4.7kΩ 1/16W D						
R492	NRSA63J-0R0X	MG RESISTOR	0Ω 1/16W J						
R618	NRSA63J-181X	MG RESISTOR	180Ω 1/16W J						
R619	NRSA63J-181X	MG RESISTOR	180Ω 1/16W J						
R620	NRSA63J-181X	MG RESISTOR	180Ω 1/16W J						
R631	NRSA63J-101X	MG RESISTOR	100Ω 1/16W J						

**< MEMO >**

# Packing materials and accessories parts list

Block No. **M 3 M M**

No additional / supplemental order of WARRANTY CARDS are available



# Packing and Accessories

Block No. [M][3][M][M]

△ Symbol No.	Part No.	Part Name	Description	Local
A 1	LVT1468-001A	INST BOOK	ENG GER FRE DUT	AVX700E,AVX706E
A 1	LVT1469-001A	INST BOOK	ENG CHI(TAIWAN) THA	AVX700U,AVX706U
A 1	LVT1469-004A	INST BOOK	ENG INA	AVX700UN,AVX701UN,AVX706UN
A 1	LVT1469-005A	INST BOOK	ENG	AVX700A
A 1	LVT1467-001A	INST BOOK	ENG SPA FRE	AVX706J
A 1	LVT1468-003A	INST BOOK	ENG SPA FRE	AVX706EU
A 1	LVT1468-005A	INST BOOK	ENG RUS	AVX706EE
A 2	LVT1468-002A	INST BOOK	SPA ITA SWE	AVX700E,AVX706E
A 2	LVT1469-002A	INST BOOK	KOR ARA PER	AVX700U,AVX706U
A 2	LVT1468-004A	INST BOOK	TUR PER	AVX706EU
A 3	LVT1468-006A	INSTALL MANUAL	ENG GER FRE DUT	AVX700E,AVX706E
A 3	LVT1469-006A	INSTALL MANUAL	ENG CHI(TAIWAN) THA	AVX700U,AVX706U
A 3	LVT1469-008A	INSTALL MANUAL	ENG INA	AVX700UN,AVX706UN
A 3	LVT1469-009A	INSTALL MANUAL	ENG	AVX700A
A 3	LVT1467-002A	INSTALL MANUAL	ENG SPA FRE	AVX706J
A 3	LVT1468-008A	INSTALL MANUAL	ENG SPA FRE	AVX706EU
A 3	LVT1468-010A	INSTALL MANUAL	ENG RUS	AVX706EE
A 4	LVT1468-007A	INSTALL MANUAL	SPA ITA SWE	AVX700E,AVX706E
A 4	LVT1469-007A	INSTALL MANUAL	KOR ARA PER	AVX700U,AVX706U
A 4	LVT1468-009A	INSTALL MANUAL	TUR PER	AVX706EU
A 5	-----	WARRANTY CARD	BT-54028-1	AVX700E,AVX706E,AVX706EU,AVX706EE
A 6	VND3050-002	IDENTITY CARD		AVX700E,AVX706E
A 7	VND3046-001	SERIAL TICKET		AVX700E,AVX706E,AVX706EU,AVX706EE
A 8	LVT1435-001A	INST SHEET		AVX700E,AVX706E,AVX706EU
A 9	QYSDSP5008ZA	SCREW	M5 x 8mm(x8)	AVX700E,AVX700U,AVX700UN,AVX700A,AVX706J,AVX706U, AVX706UN,AVX706E,AVX706EU,AVX706EE
A 10	QYSSSP5008ZA	SCREW	M5 x 8mm(x8)	AVX700E,AVX700U,AVX700UN,AVX700A,AVX706J,AVX706U, AVX706UN,AVX706E,AVX706EU,AVX706EE
A 11	LV41478-002A	CORD CONNECTOR	(x2)	AVX700E,AVX700U,AVX700UN,AVX700A,AVX706J,AVX706U, AVX706UN,AVX706E,AVX706EU,AVX706EE
A 12	RM-RK240	REMOCON		
A 13	-----	BATTERY		
A 14	QAM0833-003	CAR CABLE		AVX700E,AVX706E,AVX706EU,AVX706EE
A 14	QAM0833-004	CAR CABLE		AVX700U,AVX700UN,AVX700A,AVX701UN,AVX706U,AVX706UN AVX706J
A 14	QAM0833-002	CAR CABLE		AVX700E,AVX700U,AVX700UN,AVX700A,AVX706J,AVX706U, AVX706UN,AVX706E,AVX706EU,AVX706EE
A 15	LV22323-001A	TRIM PLATE		AVX700E,AVX706E,AVX706EU
A 16	LV44438-002A	LABEL(WEEE)		
A 17	LV44661-002A	CAUTION SHEET		
A 18	BT-51034-2	REGISTRATION CARD		AVX706J
A 19	-----	WARRANTY CARD	BT-51018-4	AVX706J
A 20	-----	WARRANTY CARD	BT-52006-2	AVX706J
A 21	LVT0717-001B	TROUBLE SHEET(C		AVX706J
A 22	QYSDSP5008ZA	SCREW	(x8)	AVX701UN
A 23	LV41478-002A	CORD CONNECTOR	(x2)	AVX701UN
KIT1	SRW-AVX706E	SCREW PARTS KIT	A9 A10 A11	AVX700E,AVX700U,AVX700UN,AVX700A,AVX706J,AVX706U, AVX706UN,AVX706E,AVX706EU,AVX706EE
KIT2	SRW-AVX701U	SCREW PARTS KIT	A22 A23	AVX701UN
P 1	LV36699-002A	CARTON		AVX700E
P 1	LV36702-001A	CARTON		AVX700U,AVX700UN
P 1	LV36704-001A	CARTON		AVX700A
P 1	LV37058-001A	CARTON		AVX701UN
P 1	LV36974-002A	CARTON		AVX706J
P 1	LV36703-001A	CARTON		AVX706U,AVX706UN
P 1	LV36700-002A	CARTON		AVX706E,AVX706EU
P 1	LV36701-002A	CARTON		AVX706EE
P 2	LV11233-002A	CUSHION(FRONT)		
P 3	LV11234-002A	CUSHION(REAR)		
P 4	QPC03504015P	POLY BAG	35cm x 40cm	
P 5	FSPG4002-001	POLY BAG		
P 6	QPA00801205	POLY BAG	8cm x 12cm	AVX700E,AVX700U,AVX700UN,AVX700A,AVX706J,AVX706U, AVX706UN,AVX706E,AVX706EU,AVX706EE
P 7	FSPG4002-001	POLY BAG		AVX700E,AVX700U,AVX700UN,AVX700A,AVX706J,AVX706U, AVX706UN,AVX706E,AVX706EU,AVX706EE
P 8	FSPG4002-001	POLY BAG		AVX700E,AVX700U,AVX706U,AVX706E,AVX706EU
P 9	QPA00801205	POLY BAG	8cm x 12cm	AVX701UN

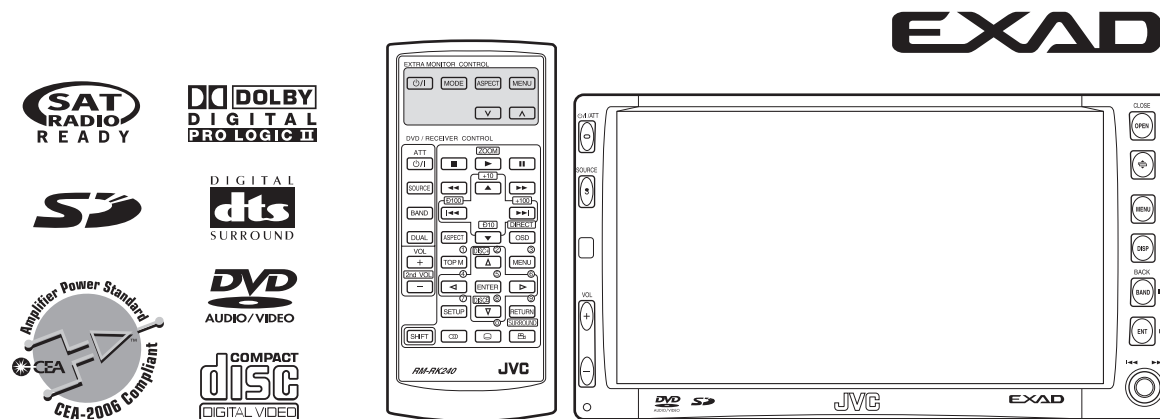
# JVC

## SCHEMATIC DIAGRAMS

### DVD RECEIVER WITH MONITOR

**KW-AVX700E, KW-AVX700U, KW-AVX700UN  
KW-AVX700A, KW-AVX701UN, KW-AVX706J  
KW-AVX706U, KW-AVX706UN, KW-AVX706E  
KW-AVX706EU, KW-AVX706EE**

CD-ROM No.SML200604



Lead free solder used in the board (material : Sn-Ag-Cu, melting point : 219 Centigrade)

### Contents

Block diagram .....	2-1
Standard schematic diagrams .....	2-3
Printed circuit boards .....	2-21 to 28



## Safety precaution



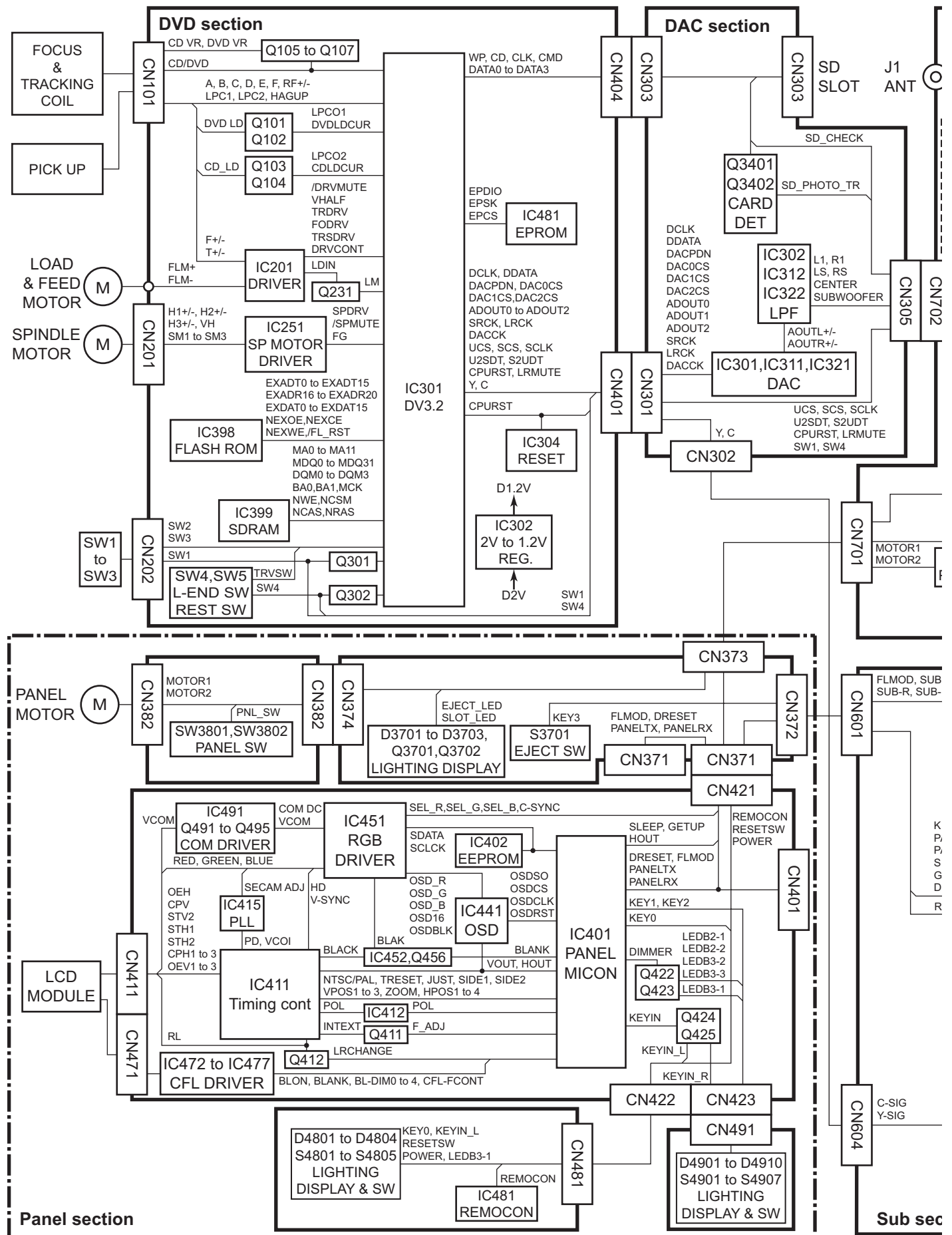
**CAUTION** Burrs formed during molding may be left over on some parts of the chassis. Therefore, pay attention to such burrs in the case of performing repair of this system.

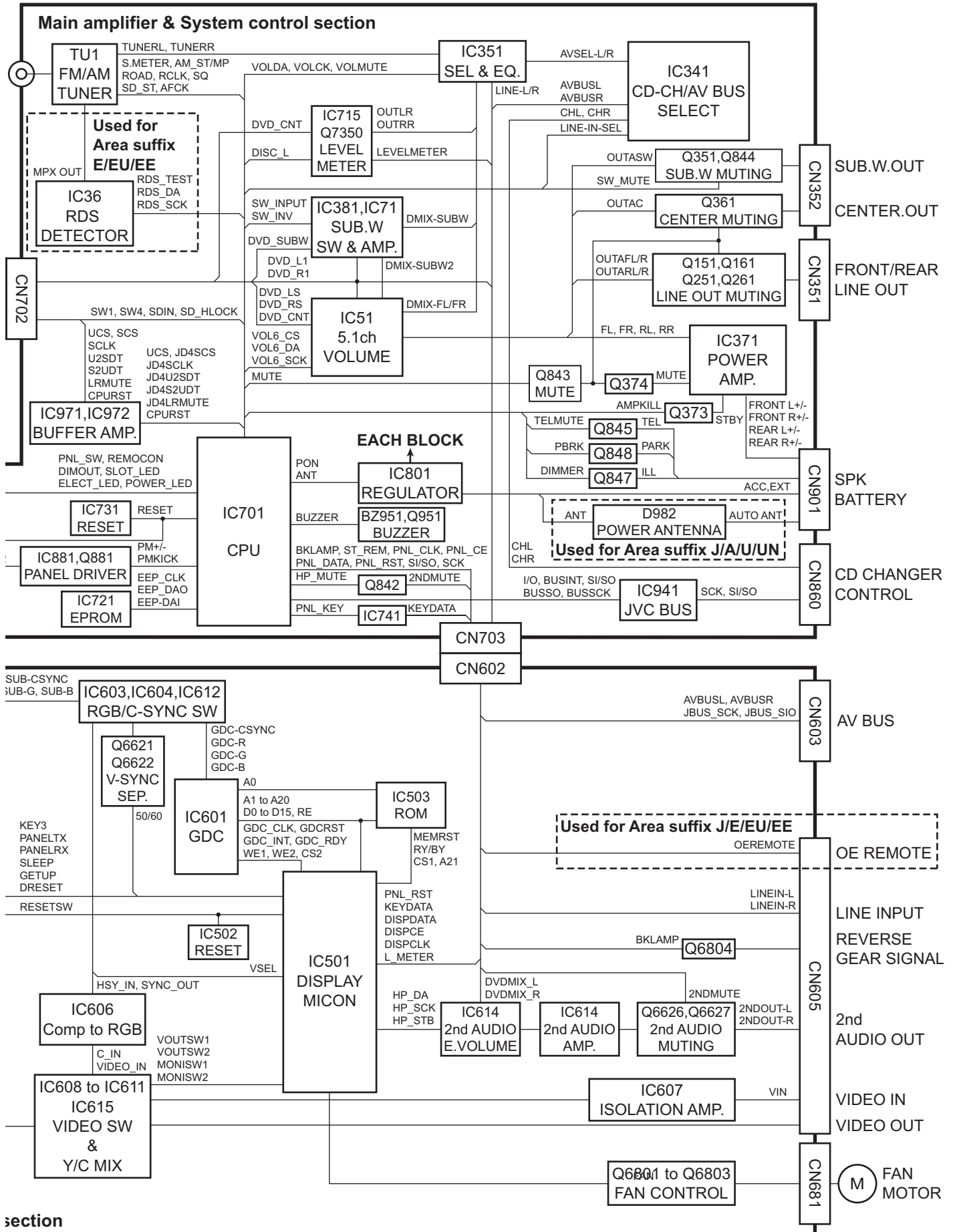


**CAUTION** Please use enough caution not to see the beam directly or touch it in case of an adjustment or operation check.

< MEMO >

# Block diagram

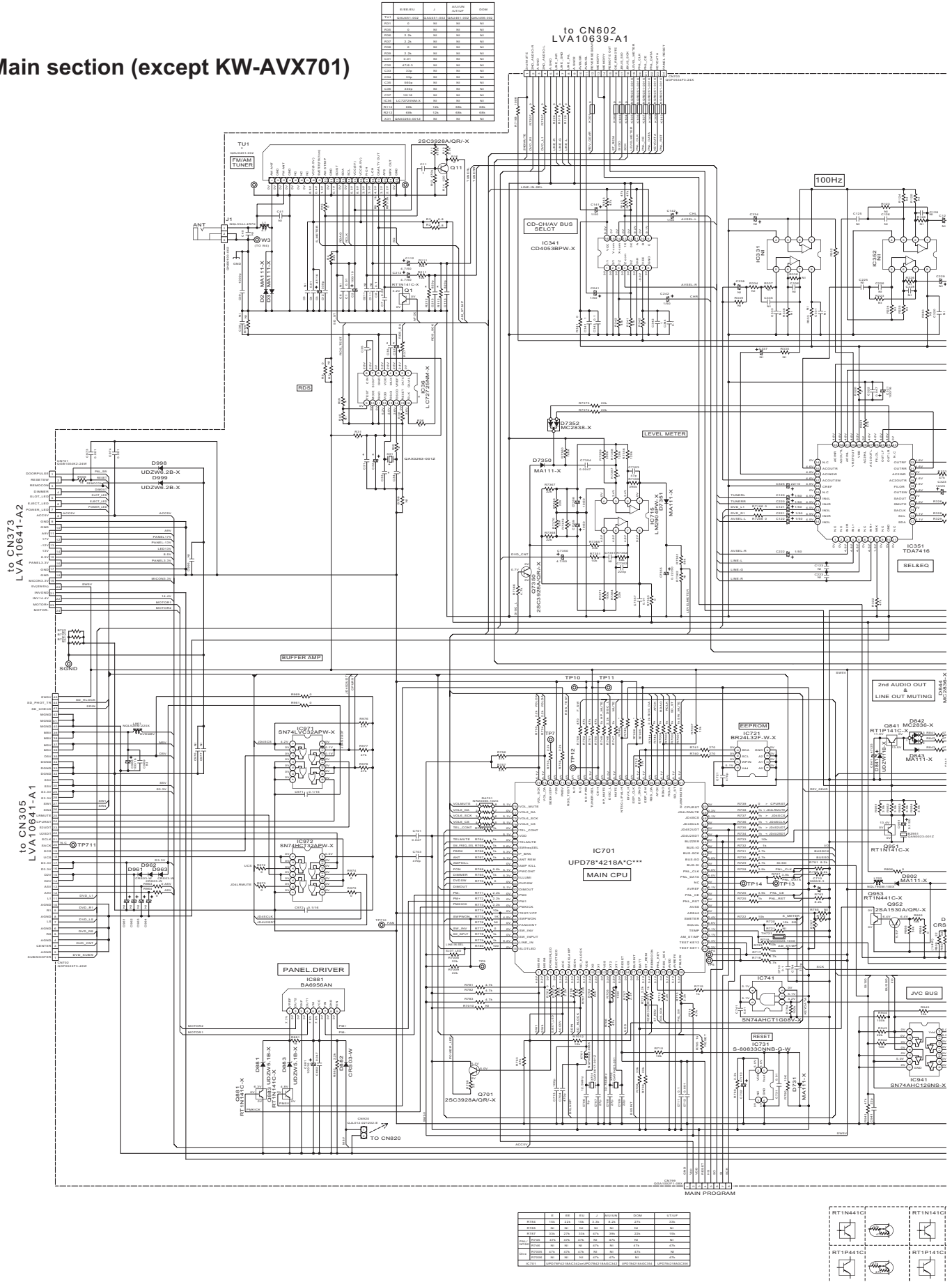


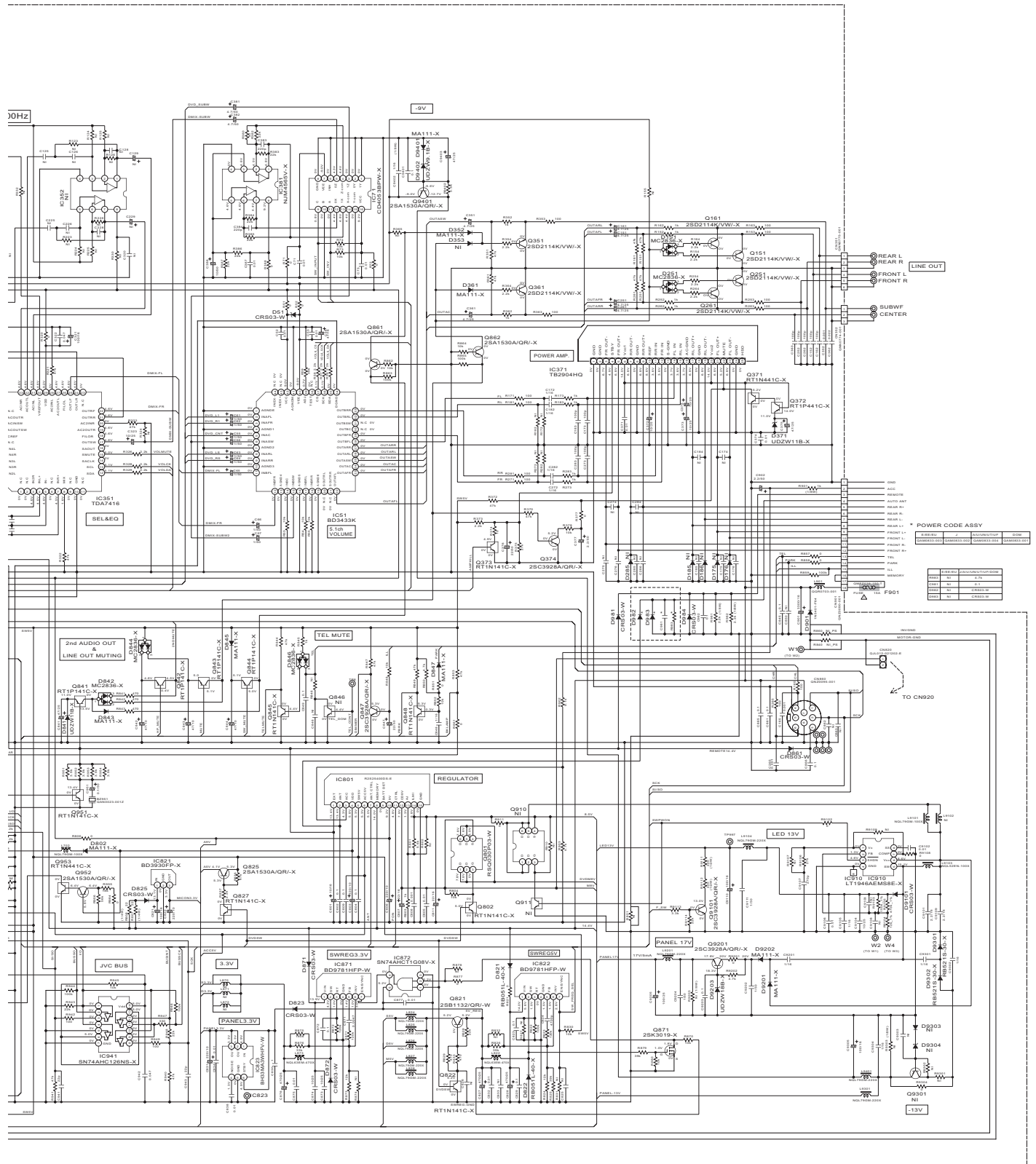


section

# Standard schematic diagrams

## ■ Main section (except KW-AVX701)

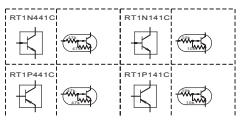




**\* POWER CODE ASSY**

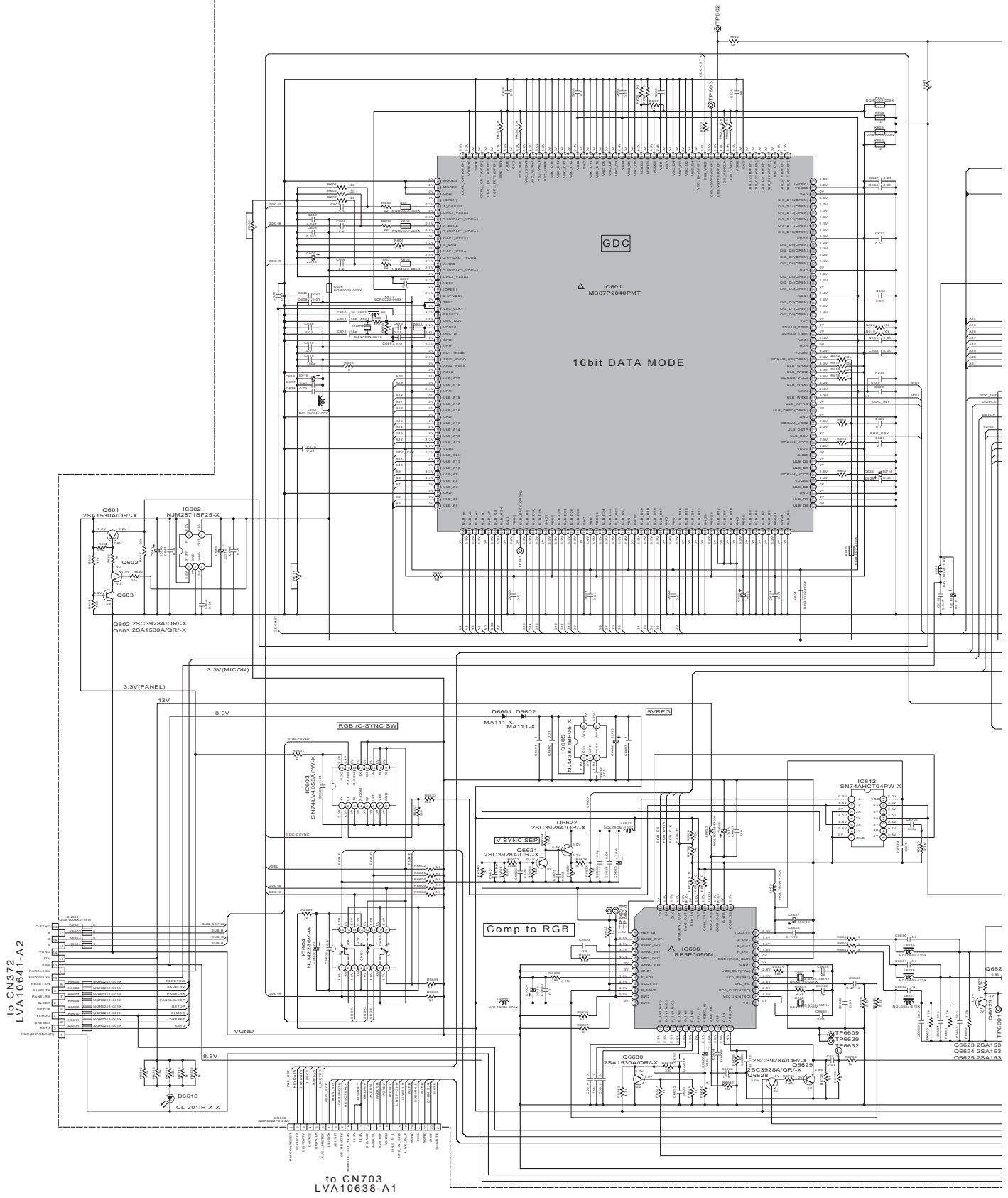
Component	Part Number	Quantity	Notes
IC361	TDA7416	1	
IC351	BD293K	1	
IC371	TB2904H	1	
IC801	BD293K	1	
IC811	BD293K	1	
IC821	BD293K	1	
IC831	BD293K	1	
IC841	BD293K	1	
IC851	BD293K	1	
IC861	BD293K	1	
IC871	BD293K	1	
IC881	BD293K	1	
IC891	BD293K	1	
IC901	BD293K	1	
IC911	BD293K	1	
IC921	BD293K	1	
IC931	BD293K	1	
IC941	BD293K	1	
IC951	BD293K	1	
IC961	BD293K	1	
IC971	BD293K	1	
IC981	BD293K	1	
IC991	BD293K	1	
IC1001	BD293K	1	

- NOTES**
- VOLTAGES ARE DC MEASURED WITH A DIGITAL VOLT METER WITHOUT INPUT SIGNAL.  
CONDITION — 800 MHz.
  - UNLESS OTHERWISE SPECIFIED:  
ALL RESISTORS ARE 1/8W 5% METAL GLAZE RESISTOR.  
ALL CAPACITORS ARE 50V 20V OR 10V CERAMIC CAPACITOR.  
ALL CAPACITANCE VALUES ARE IN OHMS.  
ALL CAPACITANCE VALUES ARE IN MICRO-F.  
ALL CAPACITORS ARE SHOWN IN THE FORM OF CAPACITANCE/ (RATED VOLTAGE).  
F = FILM CAPACITOR.
  - N: STANDS FOR NOT MOUNTED PARTS.



**⚠ Parts are safety assurance parts.**  
When replacing those parts make sure to use the specified one.

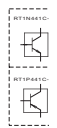
■ Sub section (except KW-AVX701)

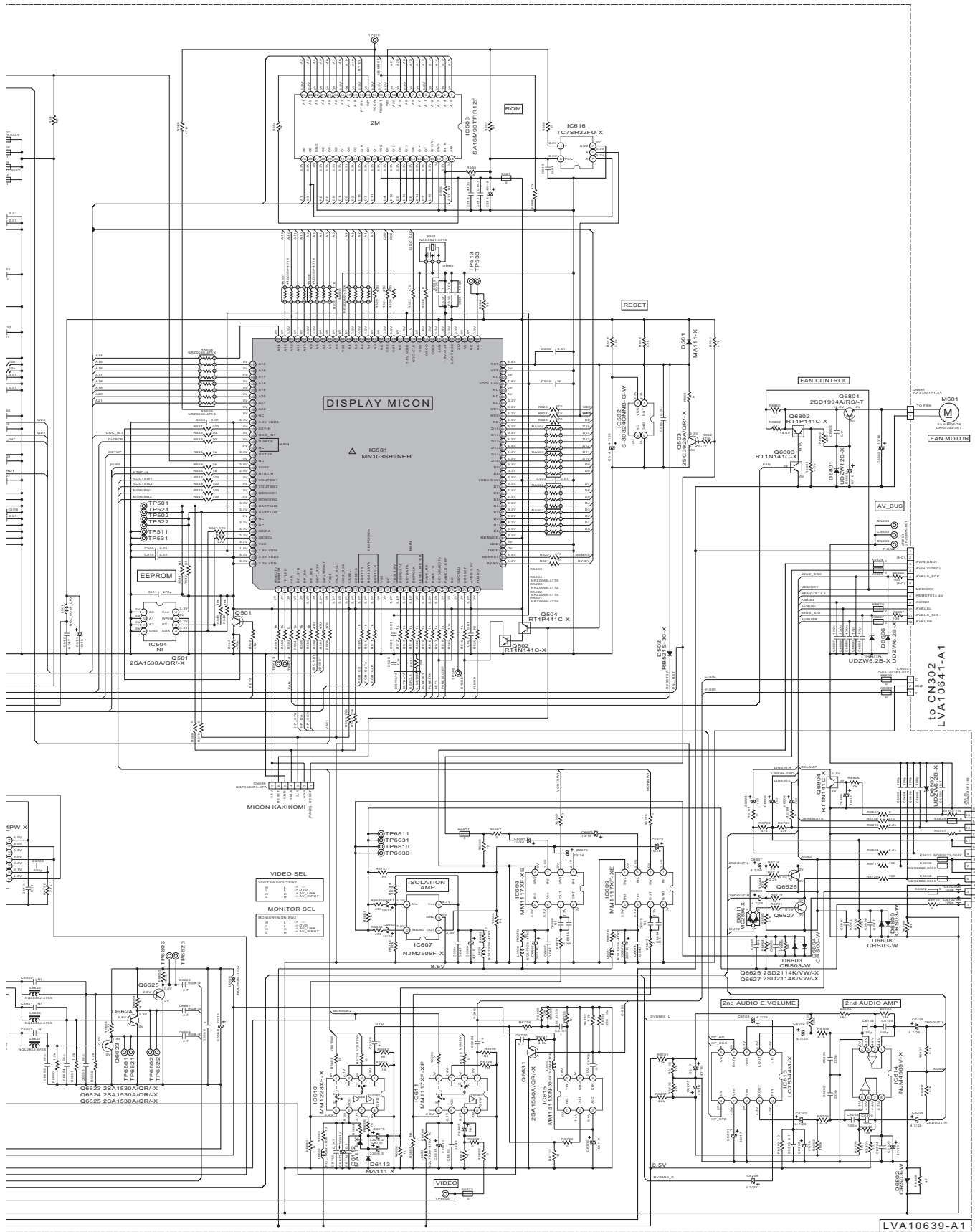


to CN372  
LVA10641-A2

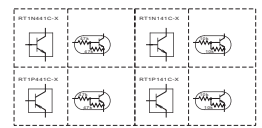
to CN703  
LVA10638-A1

ITEM	REVISION	AVX	DATE	BY
1	1			
2				
3				
4				
5				
6				





REF	DESCRIPTION	QTY
1	DIODE	1
2	RESISTOR	1
3	RESISTOR	1
4	RESISTOR	1
5	RESISTOR	1
6	RESISTOR	1
7	RESISTOR	1
8	RESISTOR	1
9	RESISTOR	1
10	RESISTOR	1
11	RESISTOR	1
12	RESISTOR	1
13	RESISTOR	1
14	RESISTOR	1
15	RESISTOR	1
16	RESISTOR	1
17	RESISTOR	1
18	RESISTOR	1
19	RESISTOR	1
20	RESISTOR	1
21	RESISTOR	1
22	RESISTOR	1
23	RESISTOR	1
24	RESISTOR	1
25	RESISTOR	1
26	RESISTOR	1
27	RESISTOR	1
28	RESISTOR	1
29	RESISTOR	1
30	RESISTOR	1
31	RESISTOR	1
32	RESISTOR	1
33	RESISTOR	1
34	RESISTOR	1
35	RESISTOR	1
36	RESISTOR	1
37	RESISTOR	1
38	RESISTOR	1
39	RESISTOR	1
40	RESISTOR	1
41	RESISTOR	1
42	RESISTOR	1
43	RESISTOR	1
44	RESISTOR	1
45	RESISTOR	1
46	RESISTOR	1
47	RESISTOR	1
48	RESISTOR	1
49	RESISTOR	1
50	RESISTOR	1
51	RESISTOR	1
52	RESISTOR	1
53	RESISTOR	1
54	RESISTOR	1
55	RESISTOR	1
56	RESISTOR	1
57	RESISTOR	1
58	RESISTOR	1
59	RESISTOR	1
60	RESISTOR	1
61	RESISTOR	1
62	RESISTOR	1
63	RESISTOR	1
64	RESISTOR	1
65	RESISTOR	1
66	RESISTOR	1
67	RESISTOR	1
68	RESISTOR	1
69	RESISTOR	1
70	RESISTOR	1
71	RESISTOR	1
72	RESISTOR	1
73	RESISTOR	1
74	RESISTOR	1
75	RESISTOR	1
76	RESISTOR	1
77	RESISTOR	1
78	RESISTOR	1
79	RESISTOR	1
80	RESISTOR	1
81	RESISTOR	1
82	RESISTOR	1
83	RESISTOR	1
84	RESISTOR	1
85	RESISTOR	1
86	RESISTOR	1
87	RESISTOR	1
88	RESISTOR	1
89	RESISTOR	1
90	RESISTOR	1
91	RESISTOR	1
92	RESISTOR	1
93	RESISTOR	1
94	RESISTOR	1
95	RESISTOR	1
96	RESISTOR	1
97	RESISTOR	1
98	RESISTOR	1
99	RESISTOR	1
100	RESISTOR	1

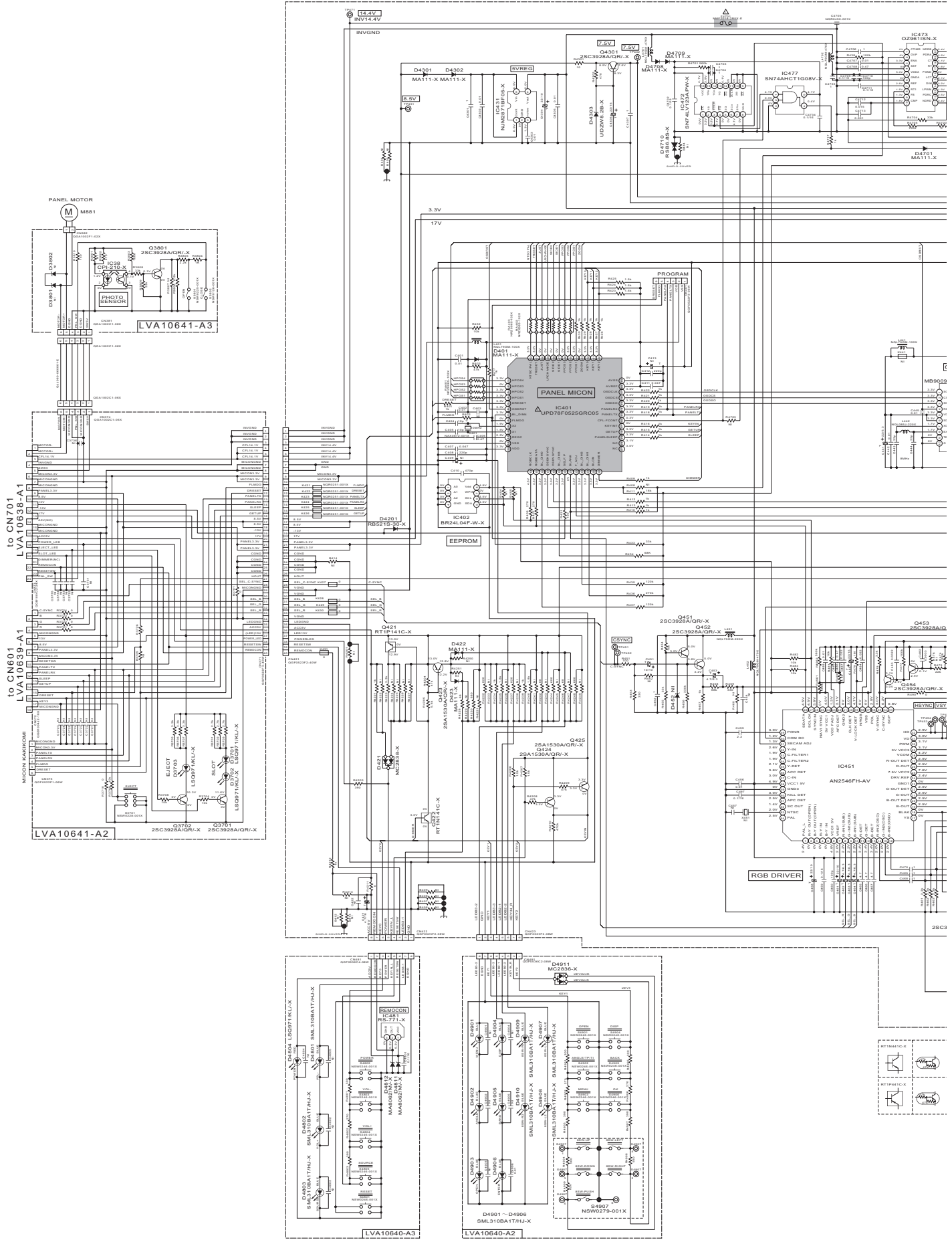


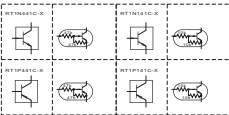
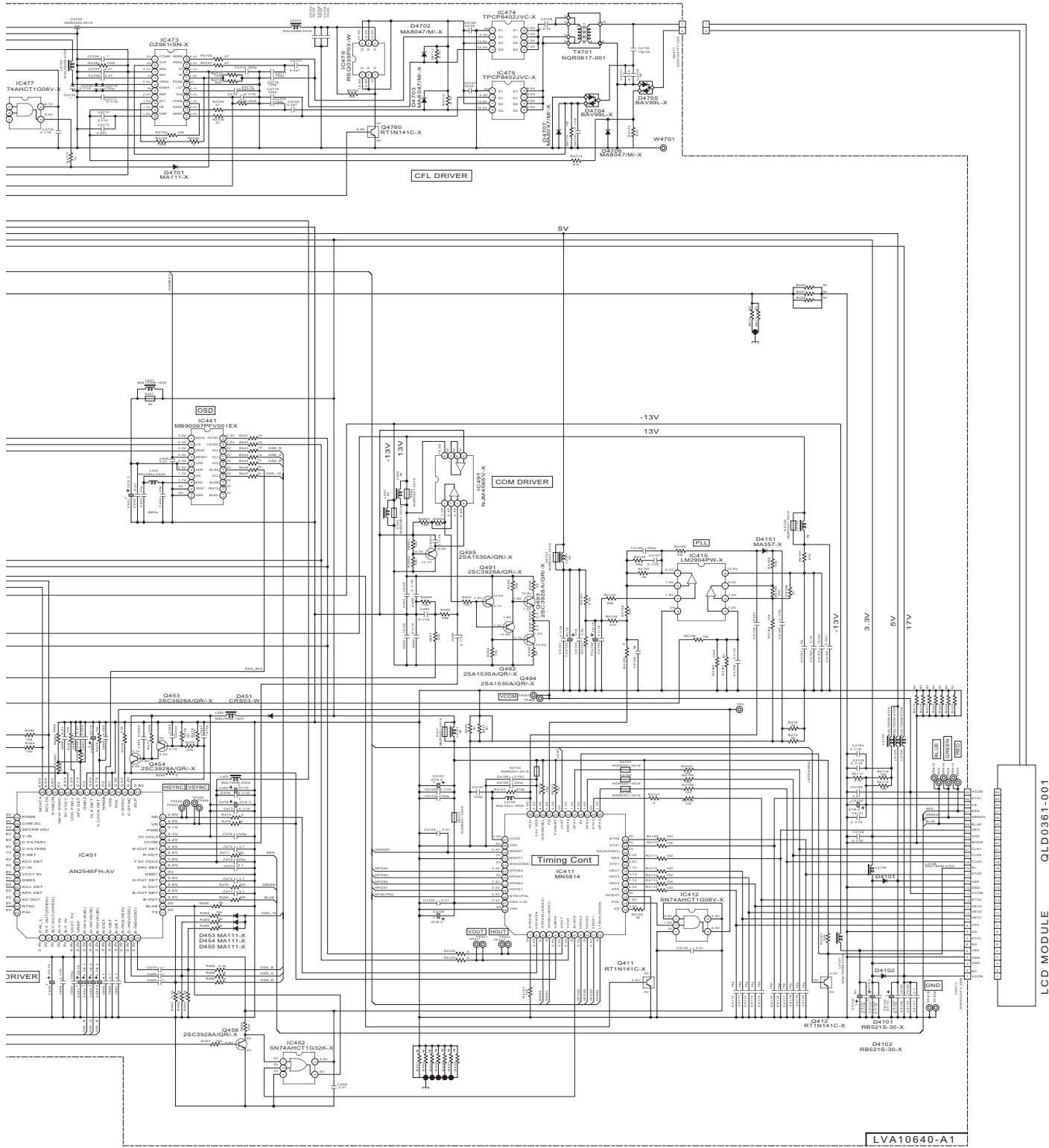
NOTE:  
 1. VOLTAGES ARE DC MEASURED WITH A DIGITAL VOLT METER WITHOUT INPUT SIGNAL.  
 2. UNLESS OTHERWISE SPECIFIED.  
 3. UNLESS OTHERWISE SPECIFIED.  
 4. ALL CAPACITORS ARE 50V 50V OR 100V CERAMIC CAPACITOR.  
 5. ALL CAPACITANCE VALUES ARE IN pF UNLESS OTHERWISE SPECIFIED.  
 6. ALL CAPACITORS ARE SHOWN IN THE FORM OF CAPACITANCE/PARTS VOLTAGE.  
 7. — P.W. CAPACITOR  
 8. DIMENSIONS FOR THE MOUNTED PARTS.

⚠ Parts are safety assurance parts.  
 When replacing those parts make sure to use the specified one.



# ■ Panel section (except KW-AVX701)

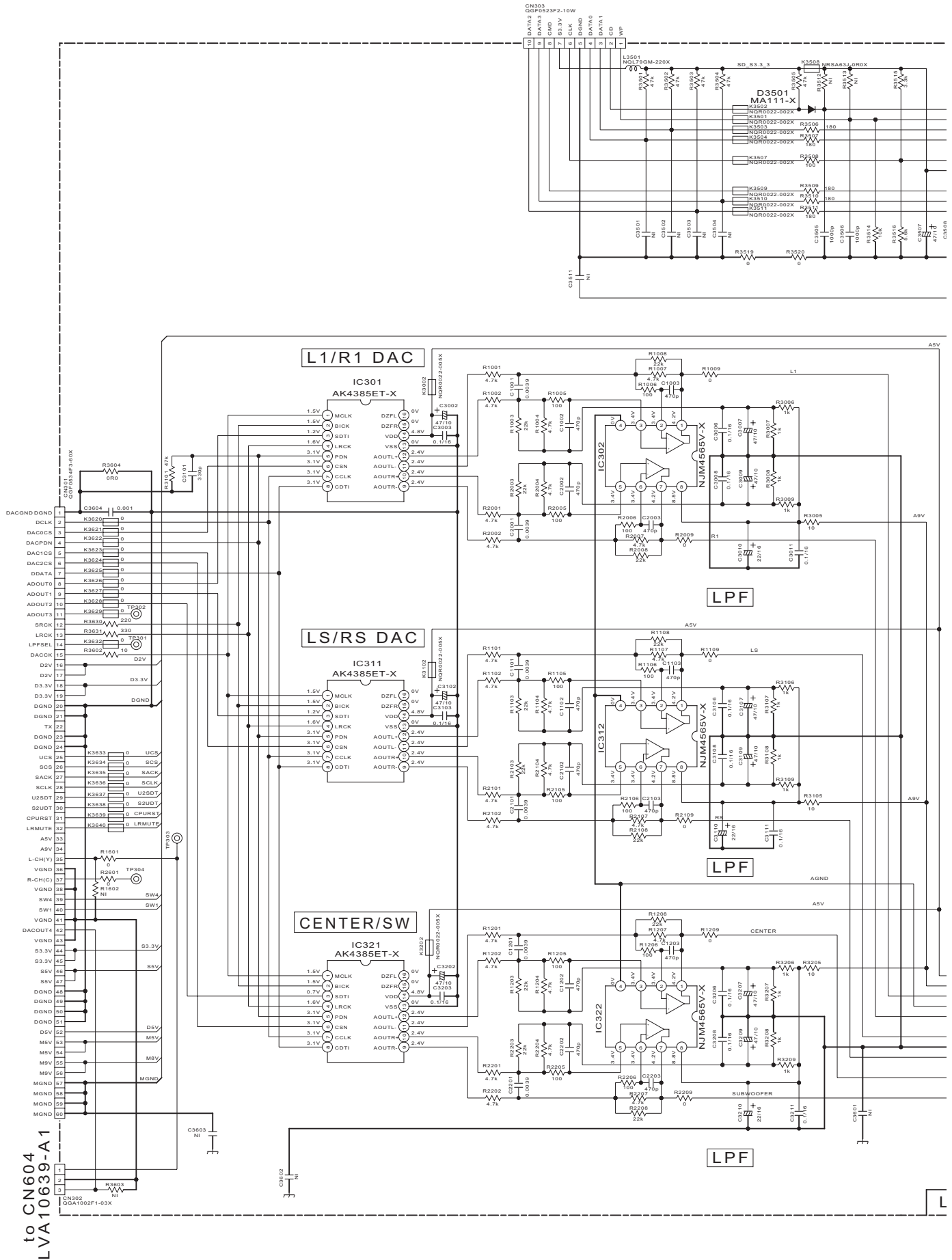


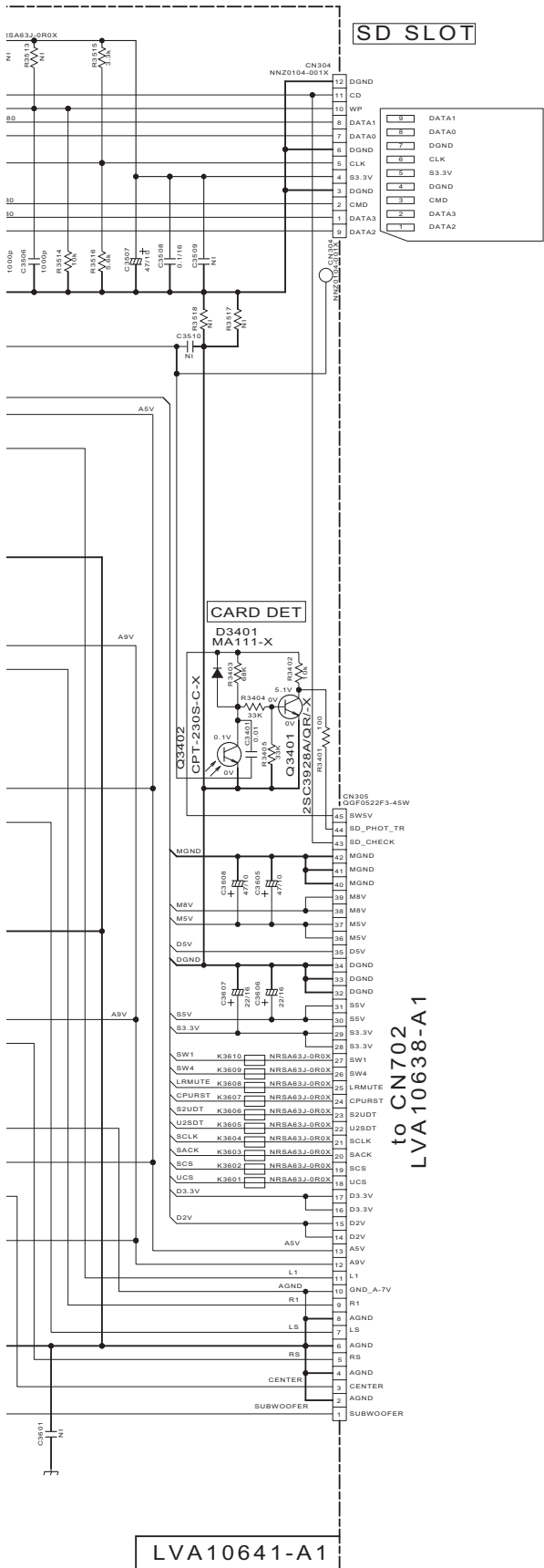


NOTES  
 1 VOLT AGES ARE DC-MEASURED WITH A DIGITAL VOLT METER WITHOUT INPUT SIGNAL.  
 CONDITION - DVD MODE.  
 2 UNLESS OTHERWISE SPECIFIED.  
 ALL RESISTORS ARE 1/10W, ±5% METAL GLAZE RESISTOR.  
 ALL CAPACITORS ARE 50V 50% TANTALUM CAPACITOR.  
 ALL CAPACITANCE VALUES ARE IN μF (±5%).  
 ALL CAPACITORS ARE SHOWN IN THE FORM OF CAPACITANCE(μF)/RATED VOLTAGE(V).  
 F - FILM CAPACITOR  
 3 N STANDS FOR NOT MOUNTED PARTS.

▲ Parts are safety assurance parts.  
 When replacing those parts make sure to use the specified one.

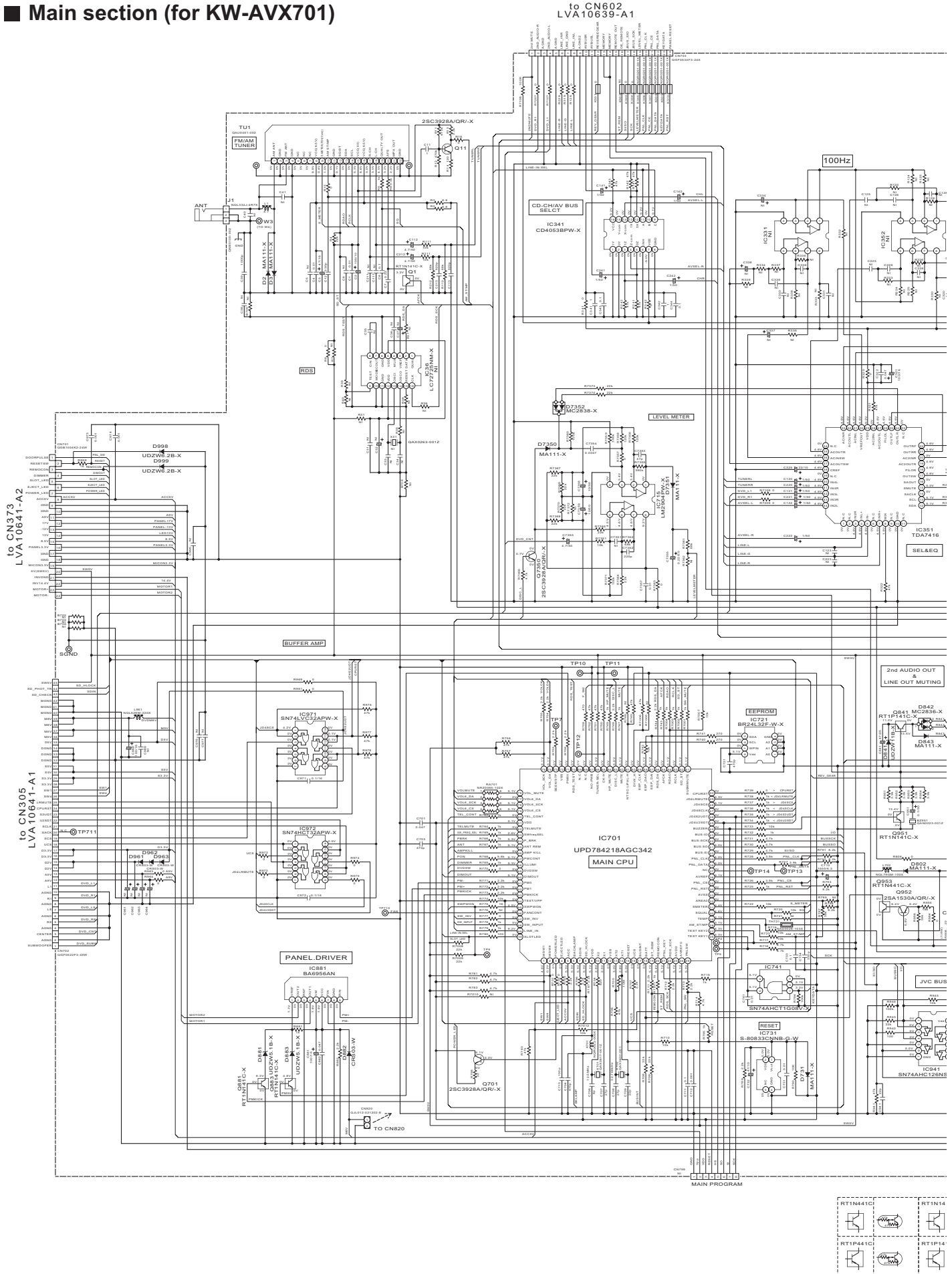
# ■ DAC section (except KW-AVX701)

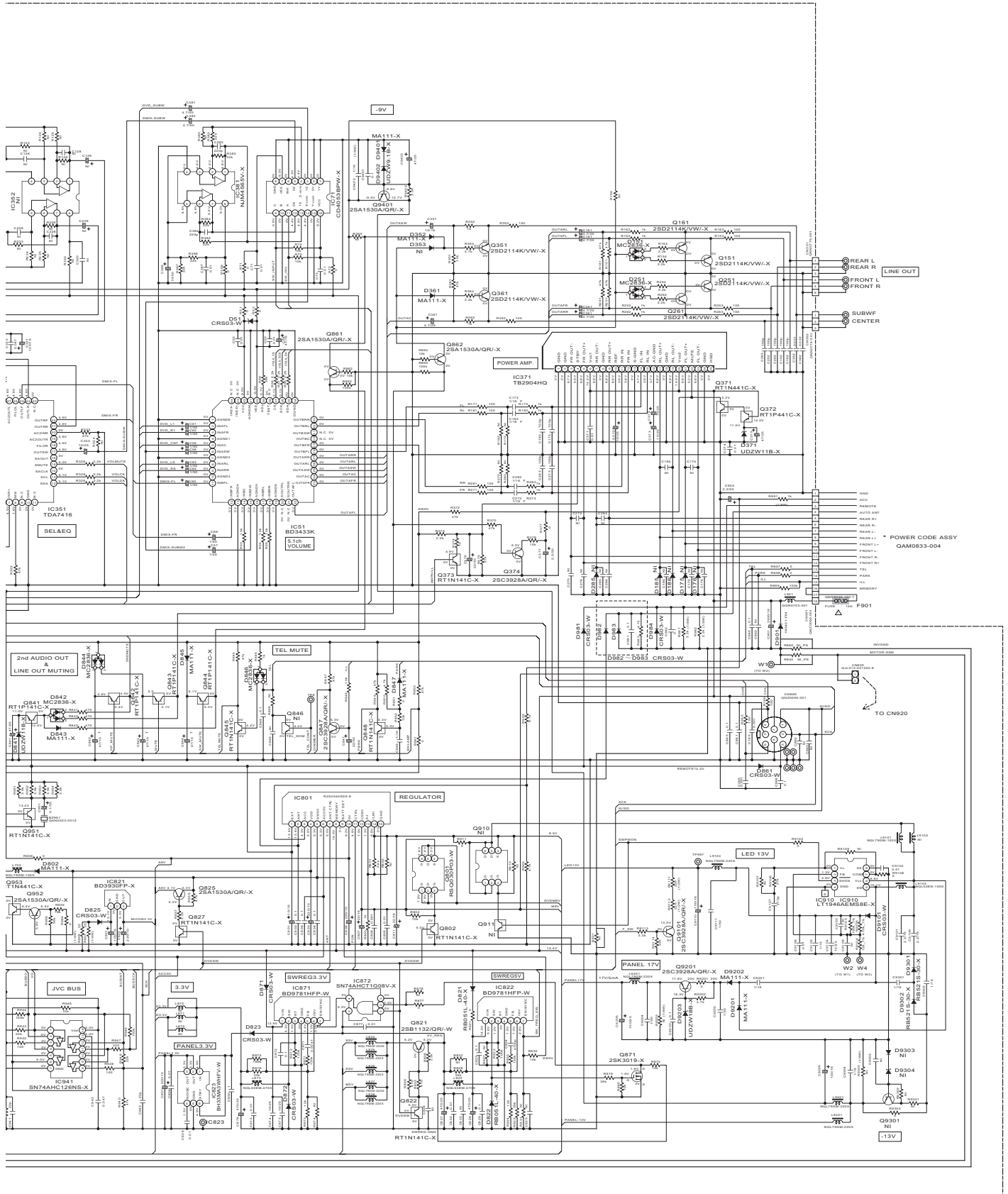




- NOTES**
1. VOLTAGES ARE DC-MEASURED WITH A DIGITAL VOLT METER WITHOUT INPUT SIGNAL. CONDITION --- DVD MODE.
  2. UNLESS OTHERWISE SPECIFIED.  
 ALL RESISTORS ARE 1/10W ±5% METAL GLAZE RESISTOR.  
 ALL CAPACITORS ARE 50V 25V CERAMIC CAPACITOR.  
 ALL RESISTANCE VALUES ARE IN OHM.  
 ALL CAPACITANCE VALUES ARE IN uF(p-pF)  
 ALL E-CAPACITORS ARE SHOWN IN THE FORM OF CAPACITANCE(uF)/RATED VOLTAGE(V).  
 F --- FILM CAPACITOR
  3. NI STANDS FOR NOT MOUNTED PARTS.

■ Main section (for KW-AVX701)

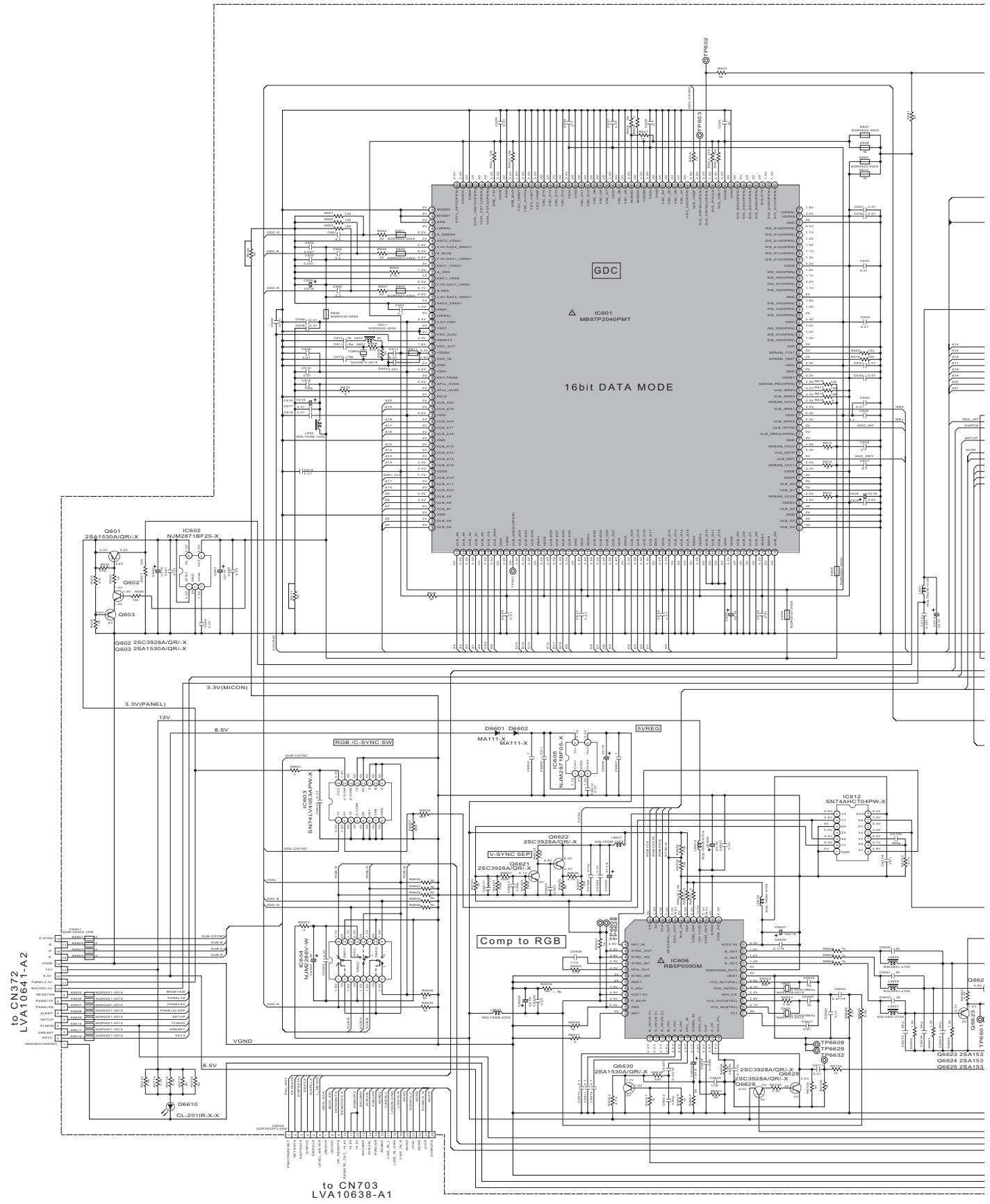


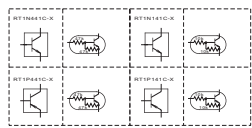
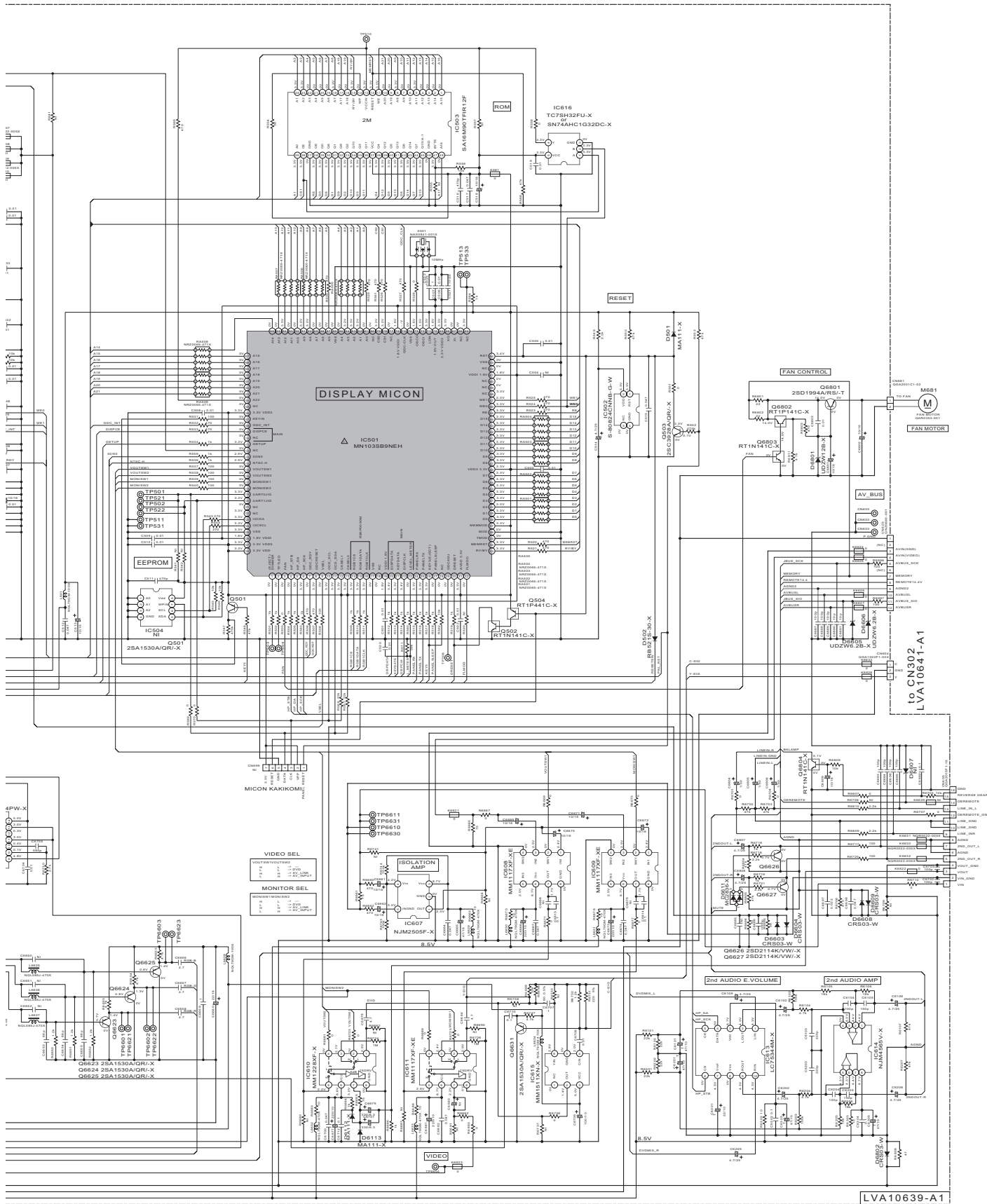


- NOTES
- VOLTAGES ARE DC-REASURED WITH A DIGITAL VOLT METER WITHOUT INPUT SIGNAL.  
CONDITION - 50% MODE
  - UNLESS OTHERWISE SPECIFIED:  
ALL RESISTORS ARE 1/10W 4% METAL GLAZE RESISTOR.  
ALL CAPACITORS ARE 50V 25V OR 16V CERAMIC CAPACITOR.  
ALL RESISTOR VALUES ARE IN OHMS.  
ALL CAPACITANCE VALUES ARE IN (µF/PF)  
ALL CAPACITORS ARE SHOWN IN THE FORM OF CAPACITANCE/(RATED VOLTAGE(V))  
F = FILM CAPACITOR  
- = TANTALUM CAPACITOR
  - NI STANDS FOR NOT MOUNTED PARTS

**⚠ Parts are safety assurance parts.**  
When replacing those parts make sure to use the specified one.

■ Sub section (for KW-AVX701)



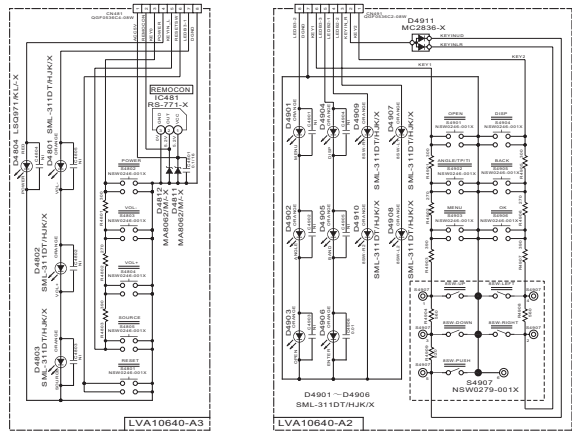
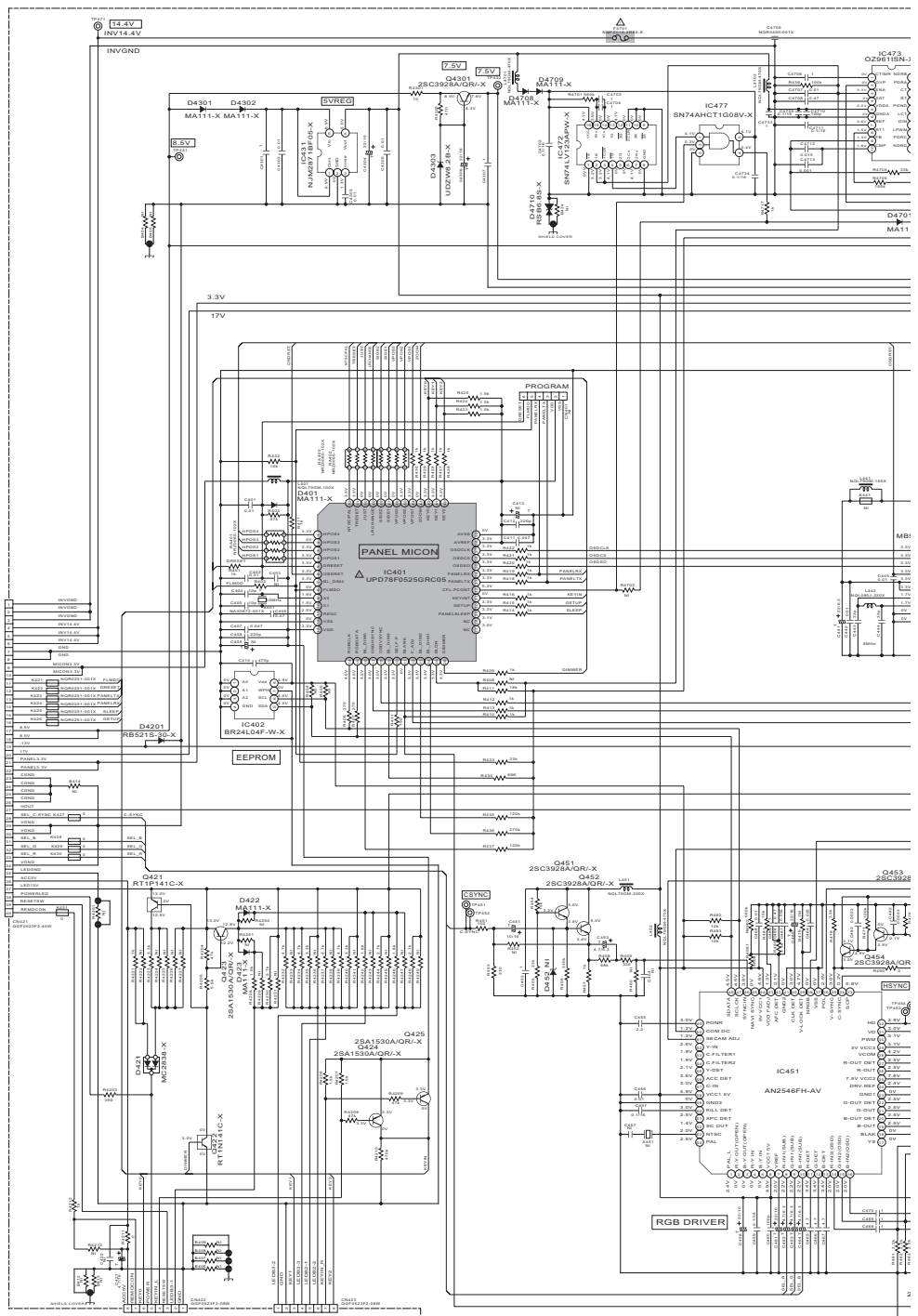
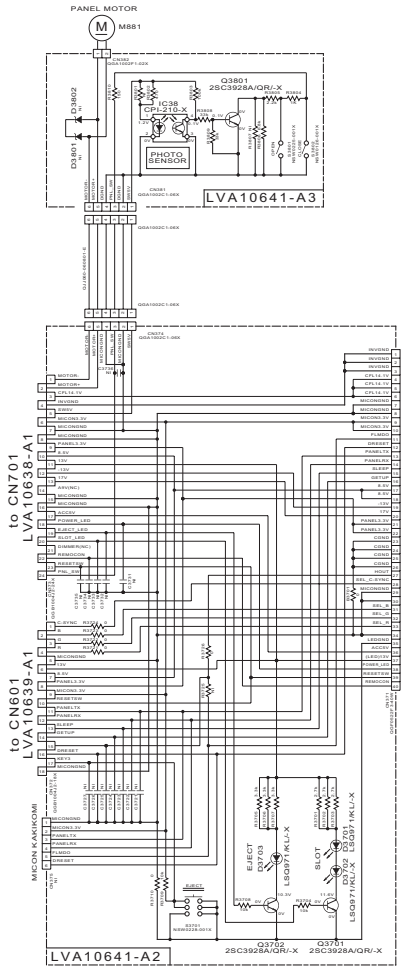


NOTE:  
 1. VOLTAGES ARE DC MEASURED WITH A DIGITAL VOLT METER WITHOUT INPUT SIGNAL.  
 2. DIMENSIONS ARE APPROXIMATE.  
 3. DIMENSIONS OF THE BOARD ARE SPECIFIED.  
 4. ALL CAPACITORS ARE 50V UNLESS OTHERWISE SPECIFIED.  
 5. ALL CAPACITORS ARE 10% TOLERANCE UNLESS OTHERWISE SPECIFIED.  
 6. ALL CAPACITORS ARE 10% TOLERANCE UNLESS OTHERWISE SPECIFIED.  
 7. TANTALUM CAPACITOR.  
 8. 5% TOLERANCE FOR THE RESISTOR PARTS.

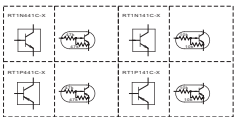
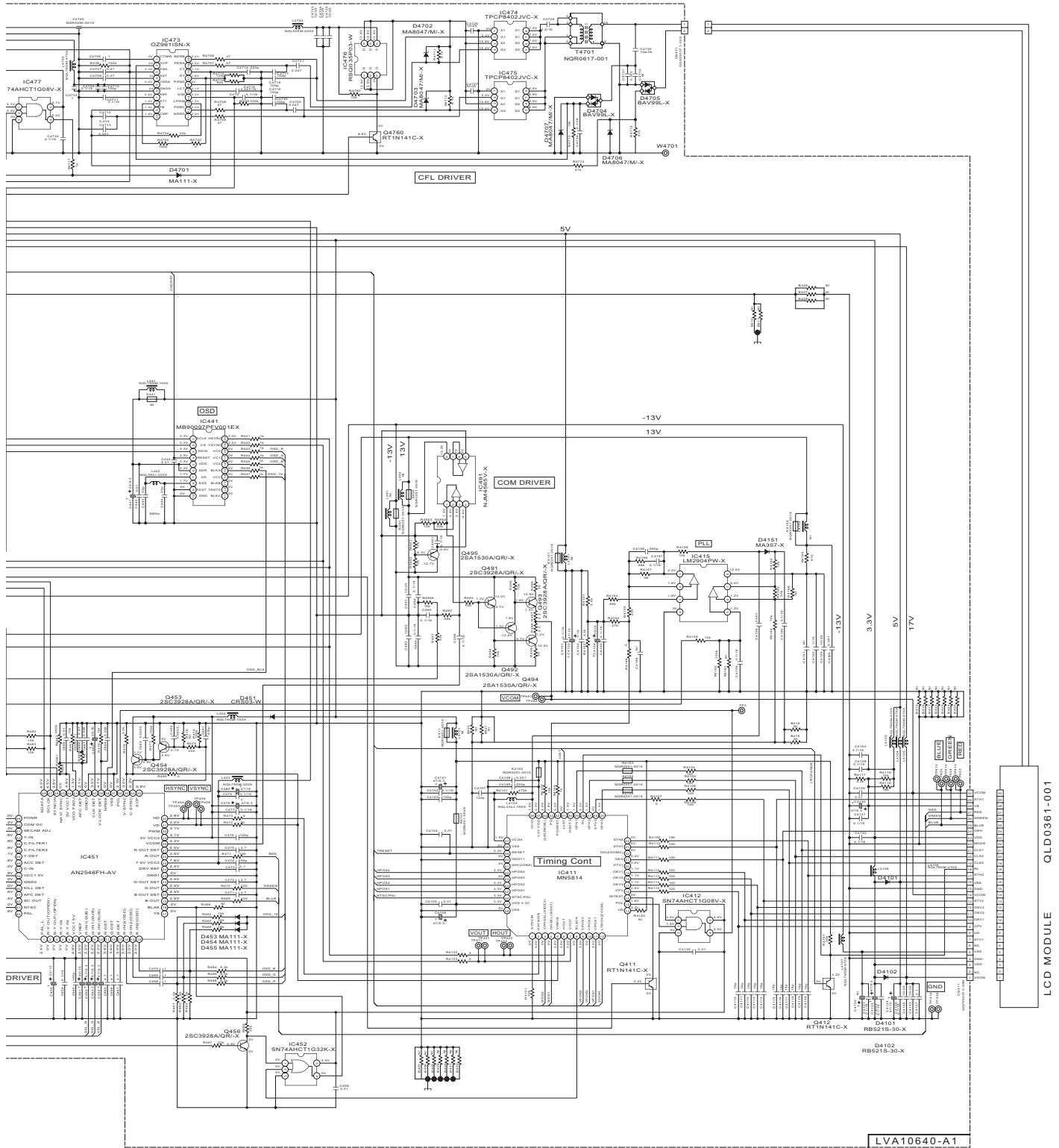
⚠ Parts are safety assurance parts.  
 When replacing those parts make  
 sure to use the specified one.



# Panel section (for KW-AVX701)



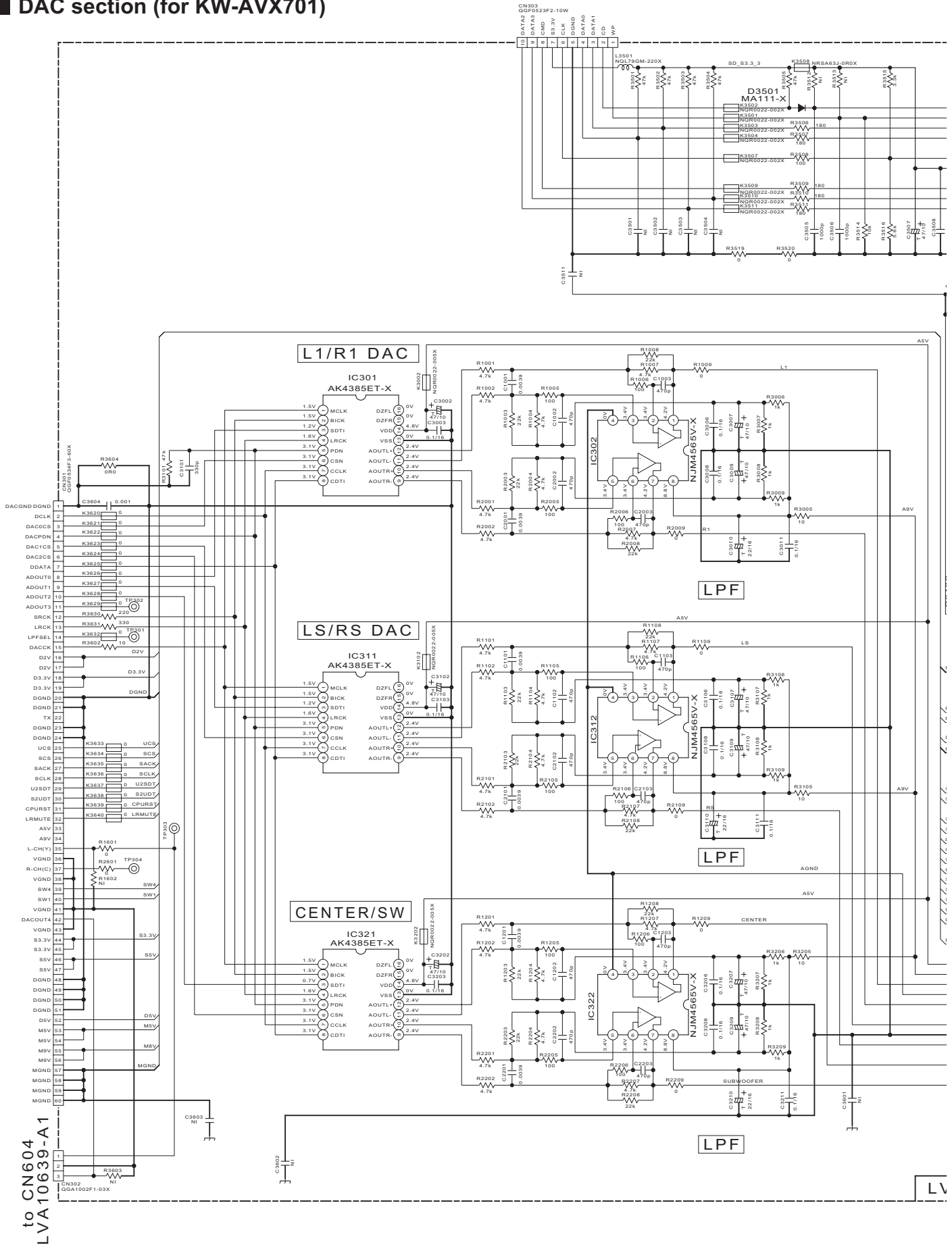
NOTES  
 1. VOLTAGES ARE DC MEASUREMENTS UNLESS OTHERWISE SPECIFIED.  
 2. ALL RESISTORS ARE IN OHMS UNLESS OTHERWISE SPECIFIED.  
 3. ALL CAPACITORS ARE IN PICO FARADS UNLESS OTHERWISE SPECIFIED.  
 4. ALL RESISTANCE VALUES ARE IN OHMS UNLESS OTHERWISE SPECIFIED.  
 5. T - TANTALUM CAPACITOR  
 6. 3.NI STANDS FOR NOT MOUNTED

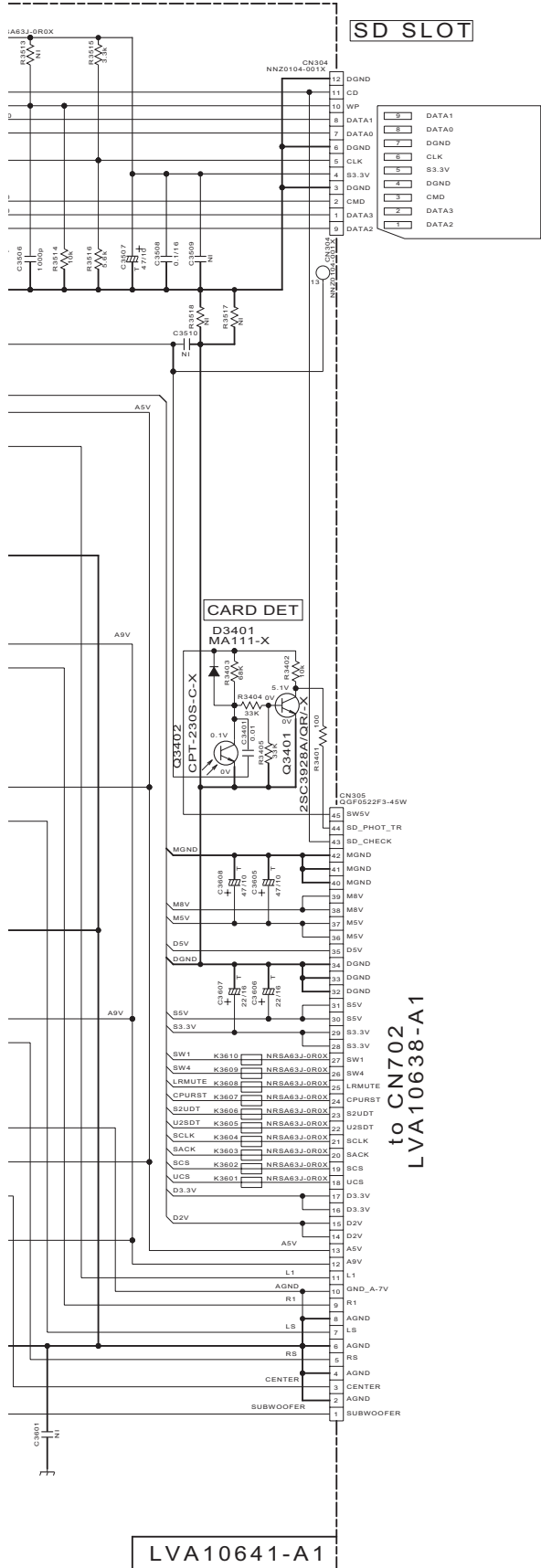


⚠ Parts are safety assurance parts. When replacing those parts make sure to use the specified one.

- NOTES
1. VOLTAGES ARE DC MEASURED WITH A DIGITAL VOLT METER WITHOUT INPUT SIGNAL.
  2. DIMENSION  $\varnothing$  DIMENSIONS ARE GIVEN.
  3. ALL RESISTORS ARE 1/10W ±5% METAL OXIDE RESISTOR.
  4. ALL CAPACITORS ARE 50V 50% CERAMIC CAPACITOR.
  5. ALL RESISTANCE VALUES ARE IN OHM.
  6. ALL CAPACITANCE VALUES ARE IN μF (E-F).
  7. ALL CAPACITORS ARE SHOWN IN THE FORM OF CAPACITANCE (μF/RATED VOLTAGE (V)).
  8. T - TANTALUM CAPACITOR.
  9. 3.NI STANDS FOR NOT MOUNTED PARTS.

# ■ DAC section (for KW-AVX701)

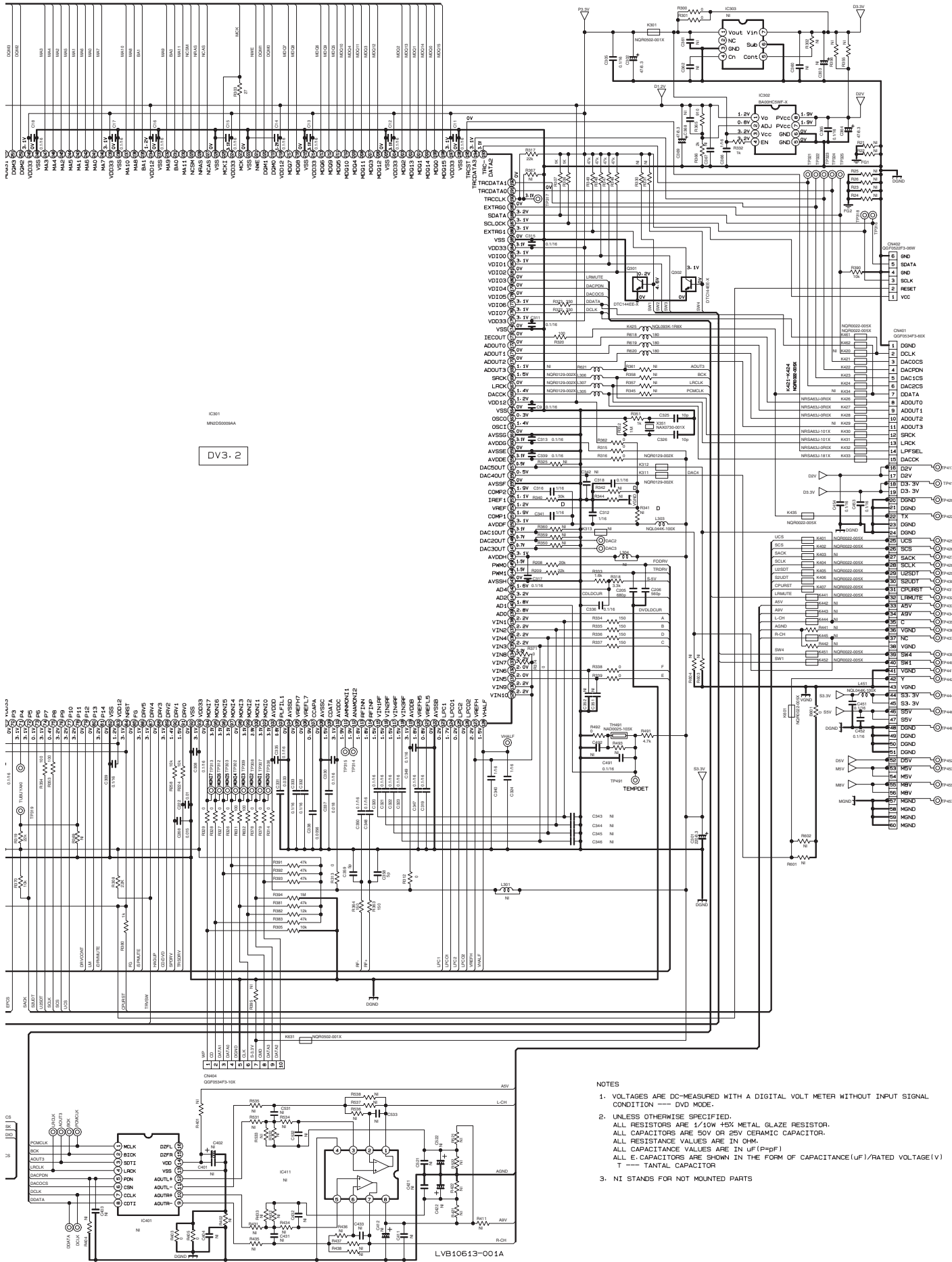




to CN702  
LVA10638-A1

- NOTES
1. VOLTAGES ARE DC-MEASURED WITH A DIGITAL VOLT METER WITHOUT INPUT SIGNAL. CONDITION --- DVD MODE
  2. UNLESS OTHERWISE SPECIFIED. ALL RESISTORS ARE 1/10W ±5% METAL GRAZE RESISTOR. ALL CAPACITORS ARE 50V/25V CERAMIC CAPACITOR. ALL RESISTANCE VALUES ARE IN OHM. ALL CAPACITANCE VALUES ARE IN uF(p=pF)
  3. NI STANDS FOR NOT MOUNTED PARTS.





IC101  
M92C0000AA

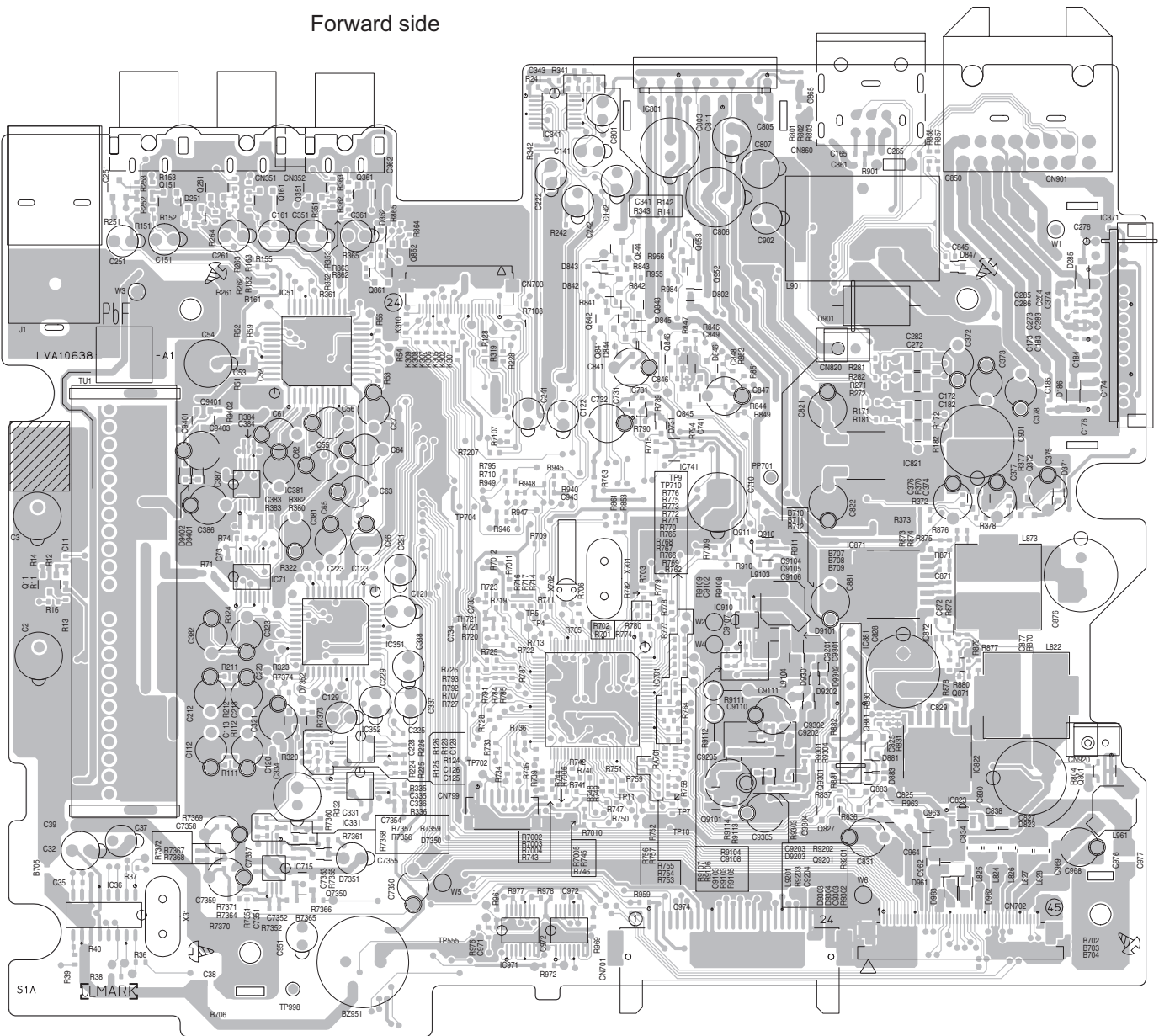
DVS: 2

- NOTES
1. VOLTAGES ARE DC-MEASURED WITH A DIGITAL VOLT METER WITHOUT INPUT SIGNAL CONDITION --- DVD MODE.
  2. UNLESS OTHERWISE SPECIFIED, ALL RESISTORS ARE 1/10W ±5% METAL GLAZE RESISTOR. ALL CAPACITORS ARE 50V OR 25V CERAMIC CAPACITOR. ALL RESISTANCE VALUES ARE IN OHM. ALL CAPACITANCE VALUES ARE IN UF(PnPF) ALL E. CAPACITORS ARE SHOWN IN THE FORM OF CAPACITANCE(UF)/RATED VOLTAGE(V) T --- TANTAL CAPACITOR
  3. NI STANDS FOR NOT MOUNTED PARTS

# Printed circuit boards

■ Main board Lead free solder used in the board (material : Sn-Ag-Cu, melting point : 219 Centigrade)

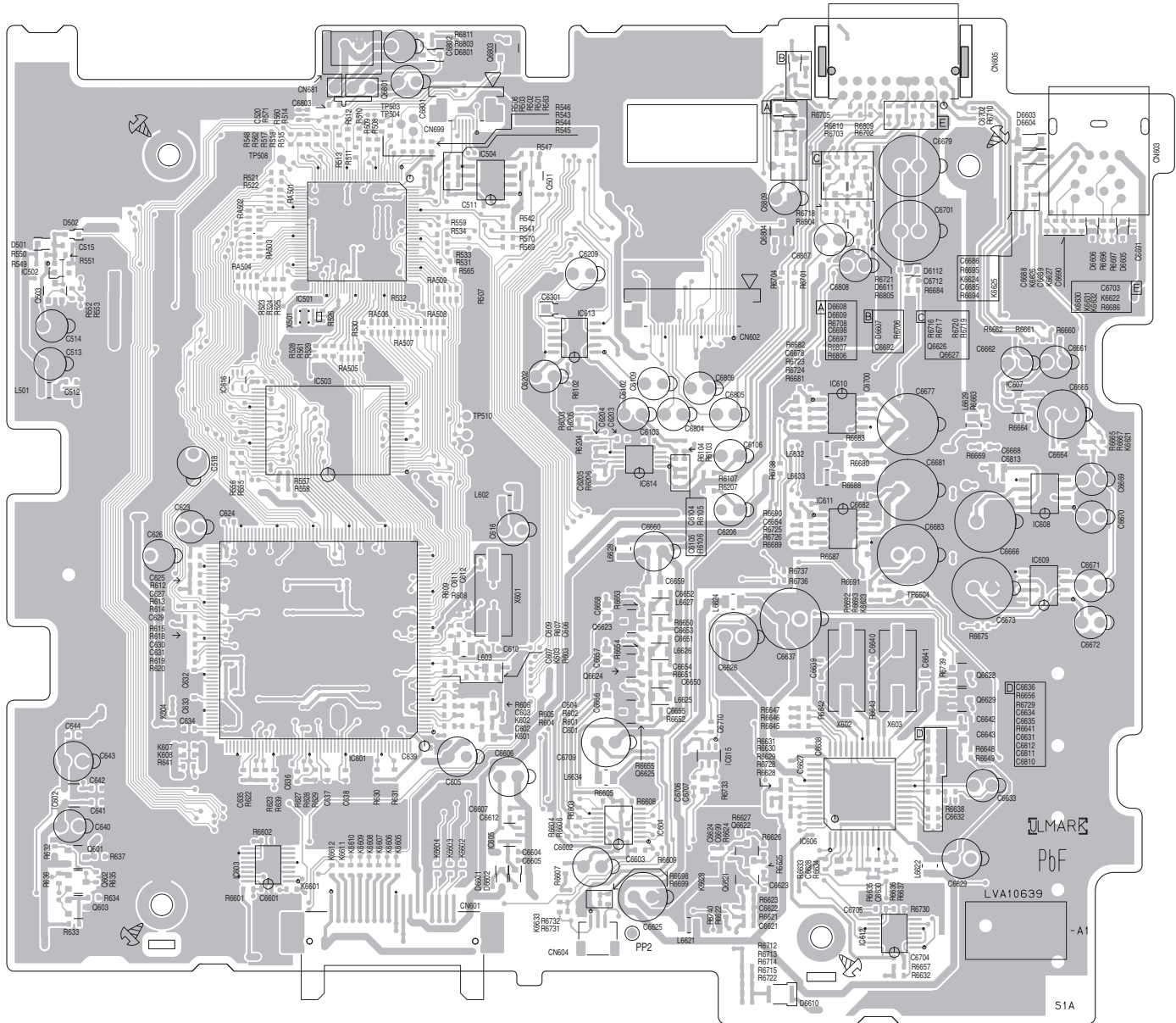
Forward side



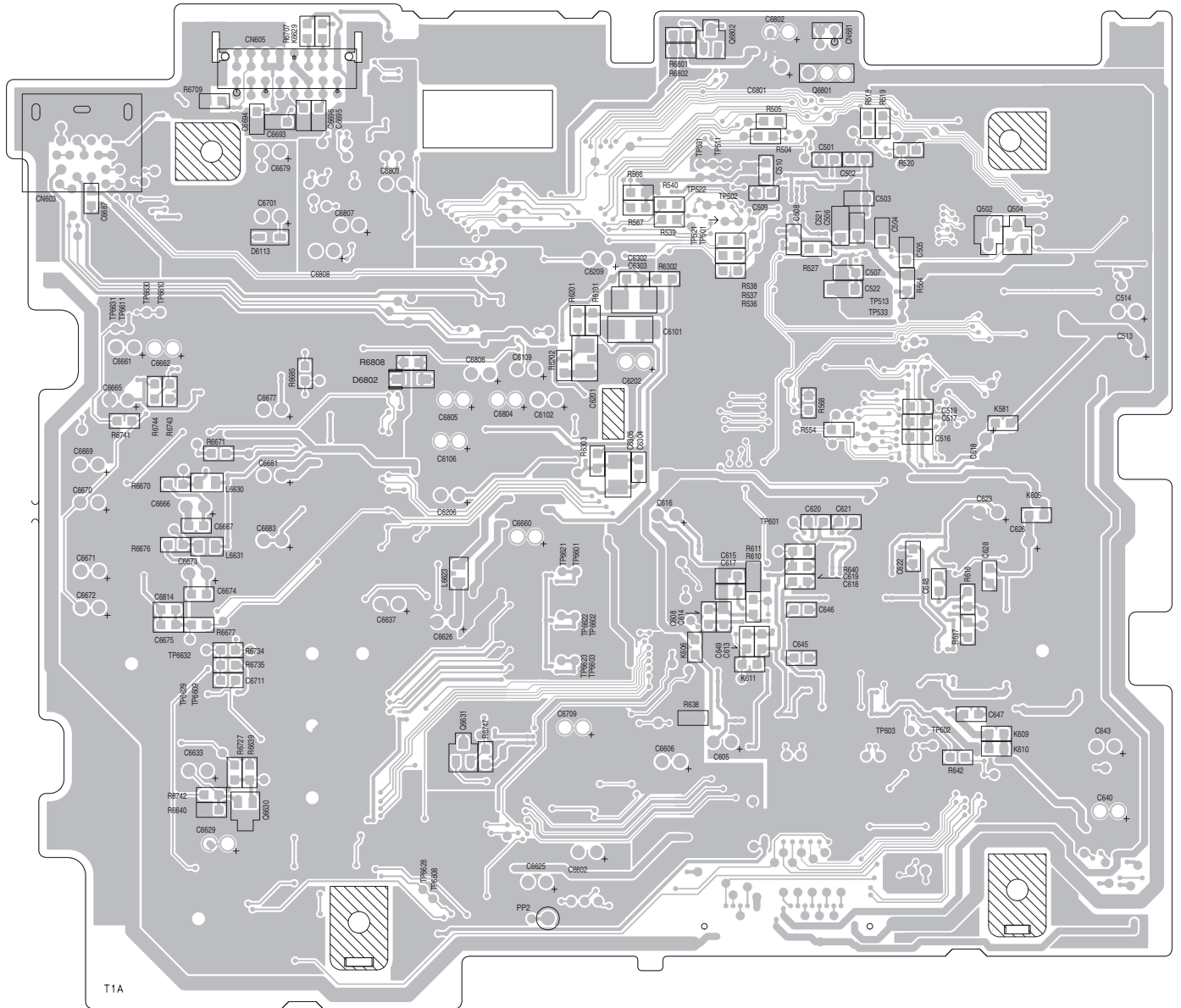




Forward side



Reverse side

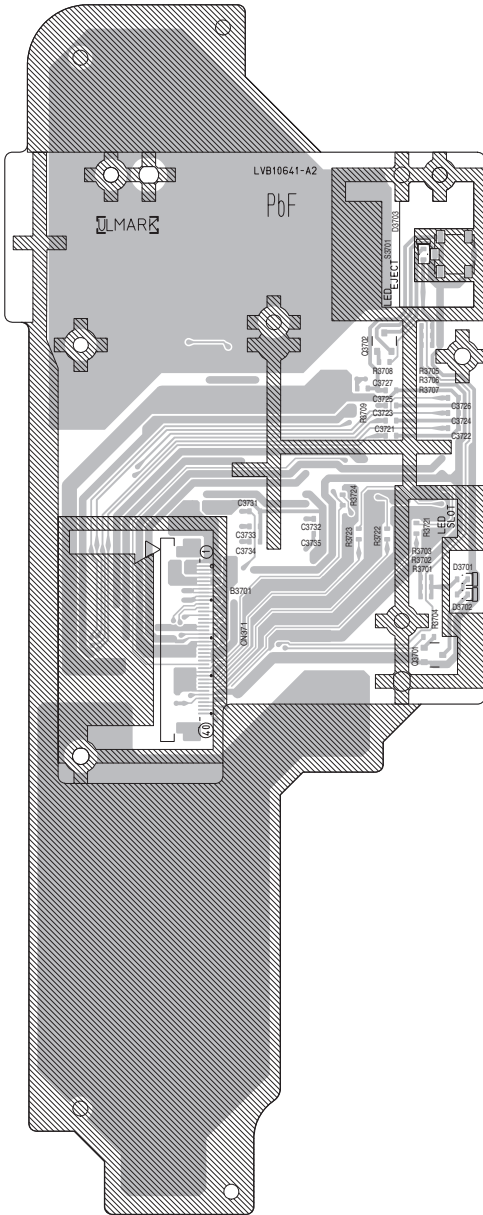


# ■ Connection board

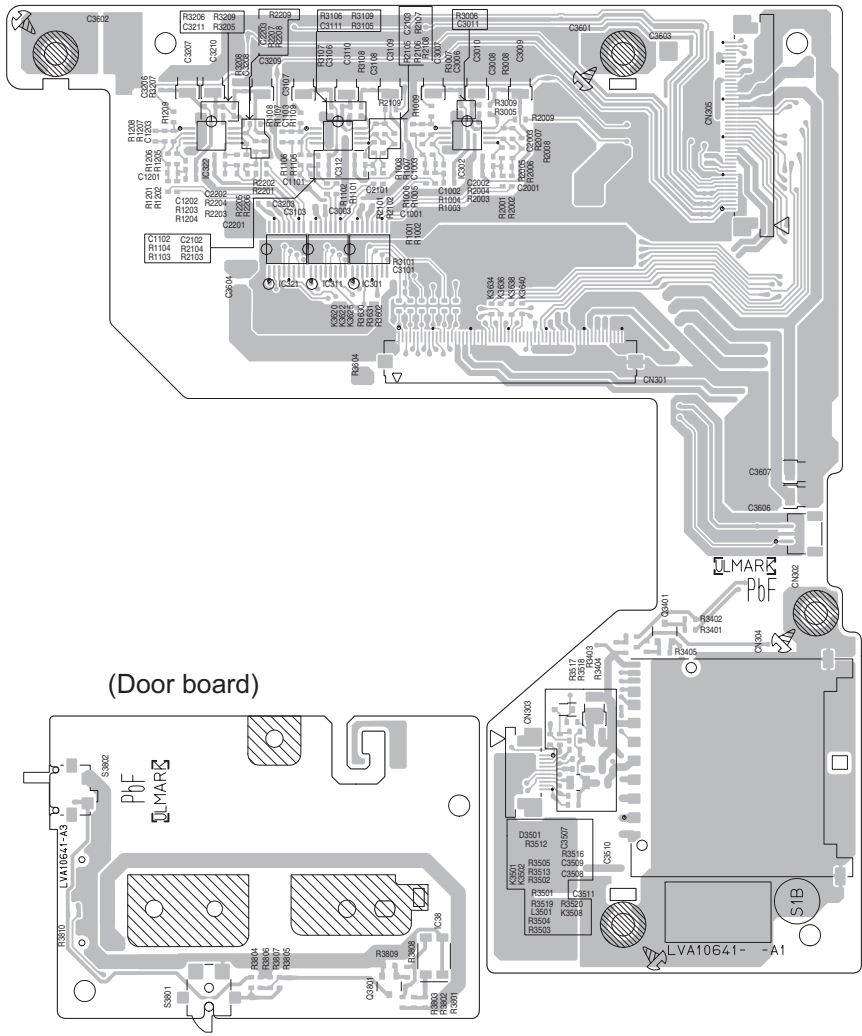
Lead free solder used in the board (material : Sn-Ag-Cu, melting point : 219 Centigrade)

Forward side

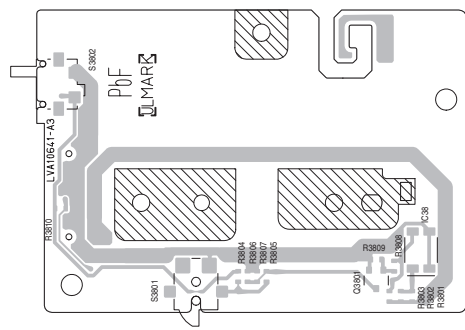
(Panel connect board)



(Connection board)

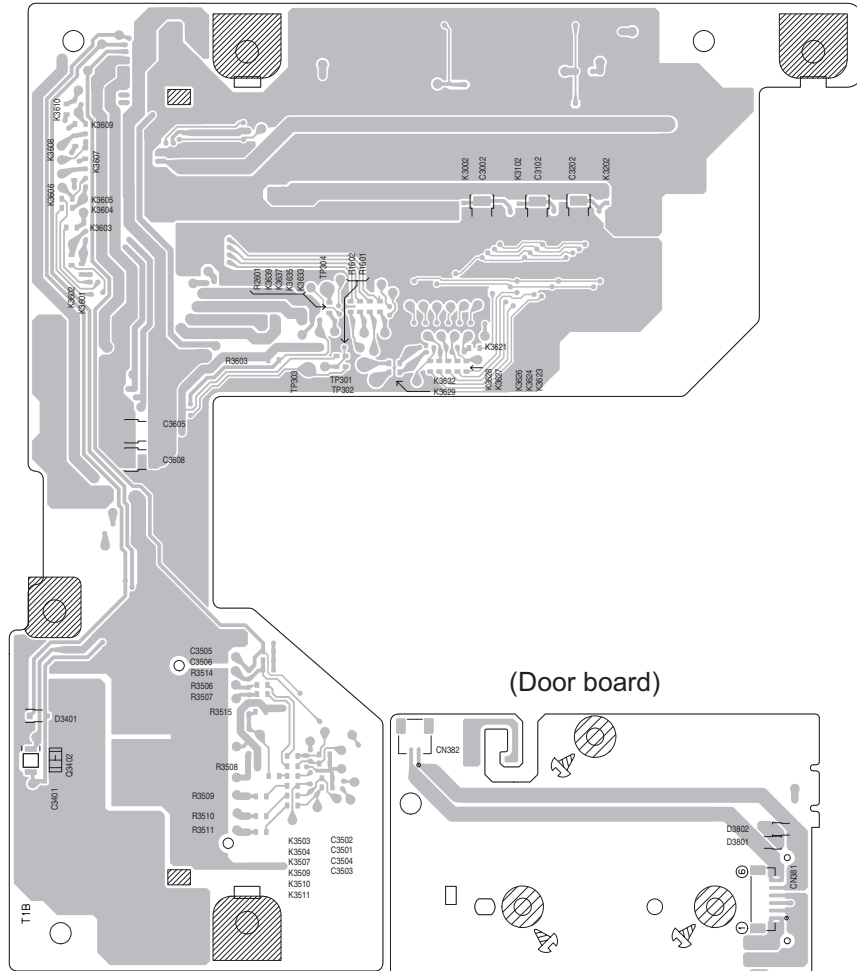


(Door board)

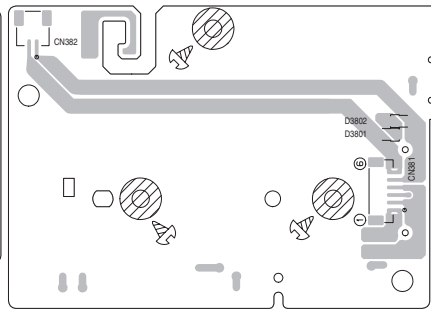


Reverse side

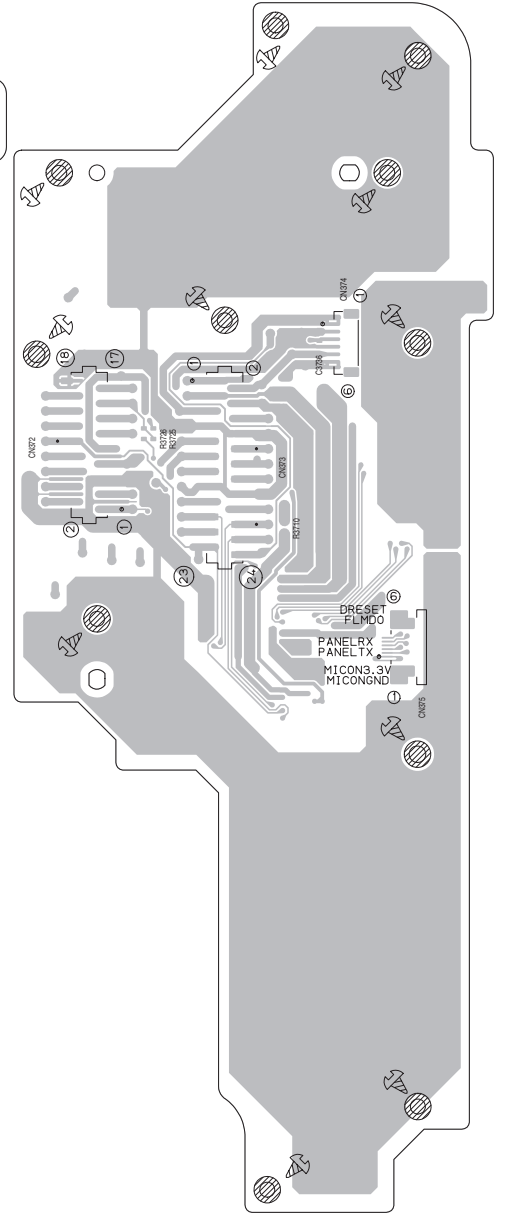
(Connection board)



(Door board)



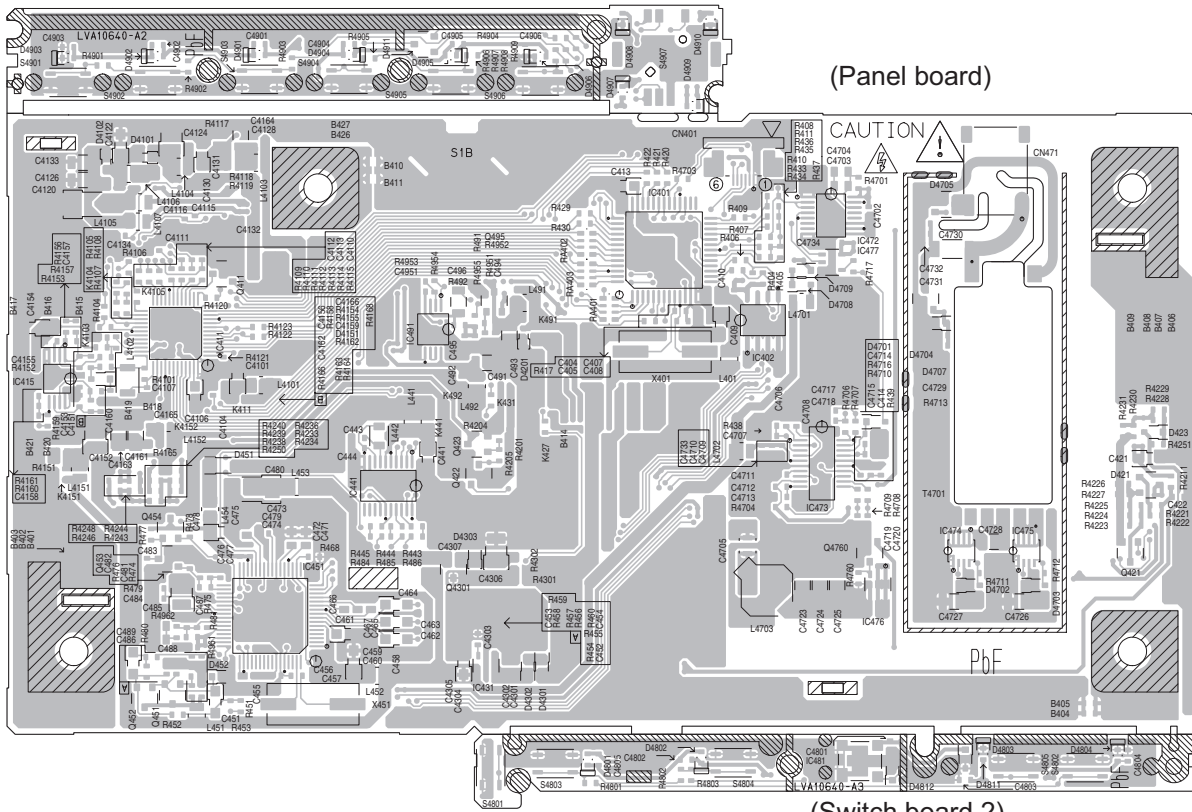
(Panel connect board)



**■ Panel board** Lead free solder used in the board (material : Sn-Ag-Cu, melting point : 219 Centigrade)

(Switch board 1)

Forward side

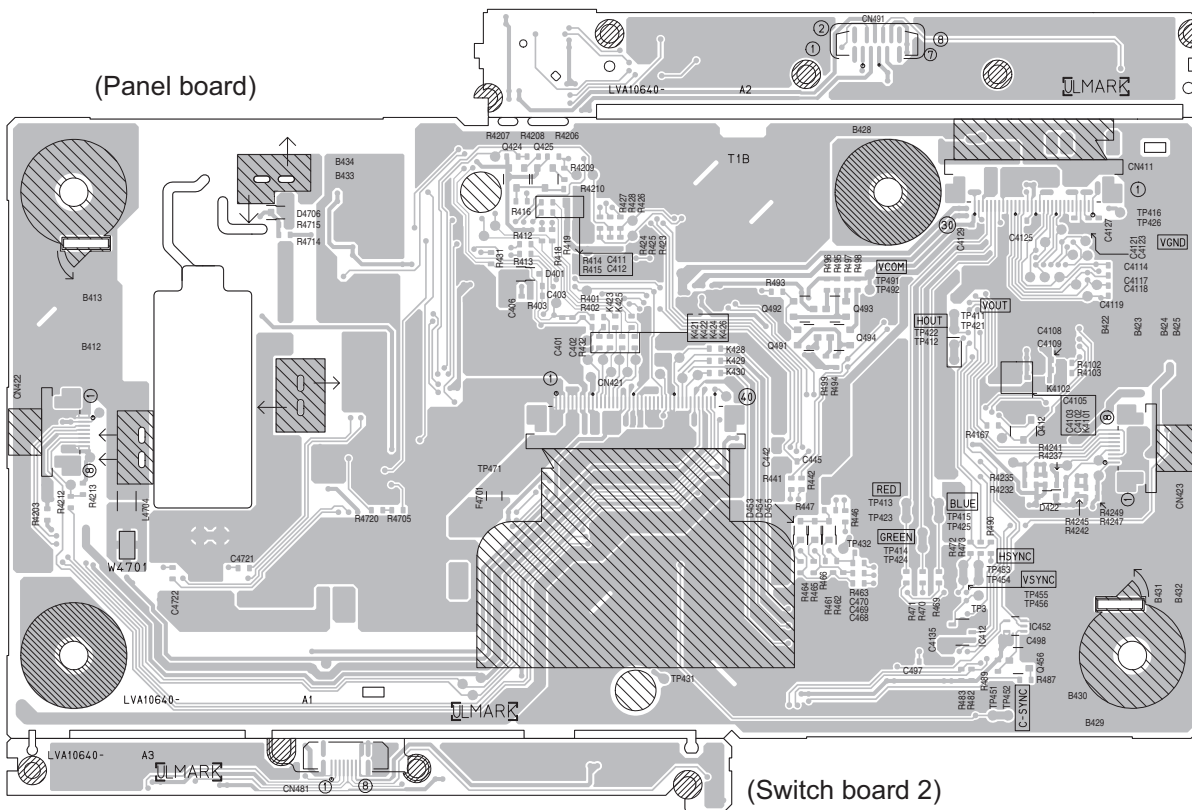


(Panel board)

(Switch board 2)

Reverse side

(Switch board 1)

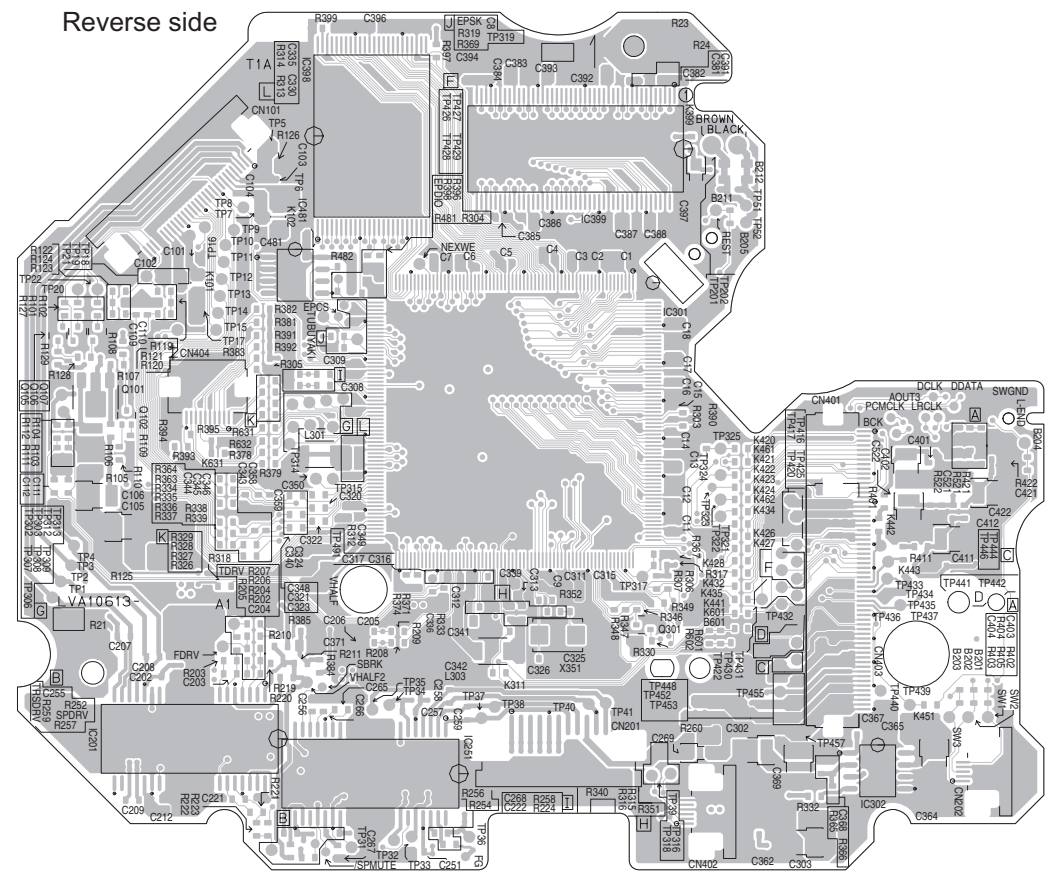
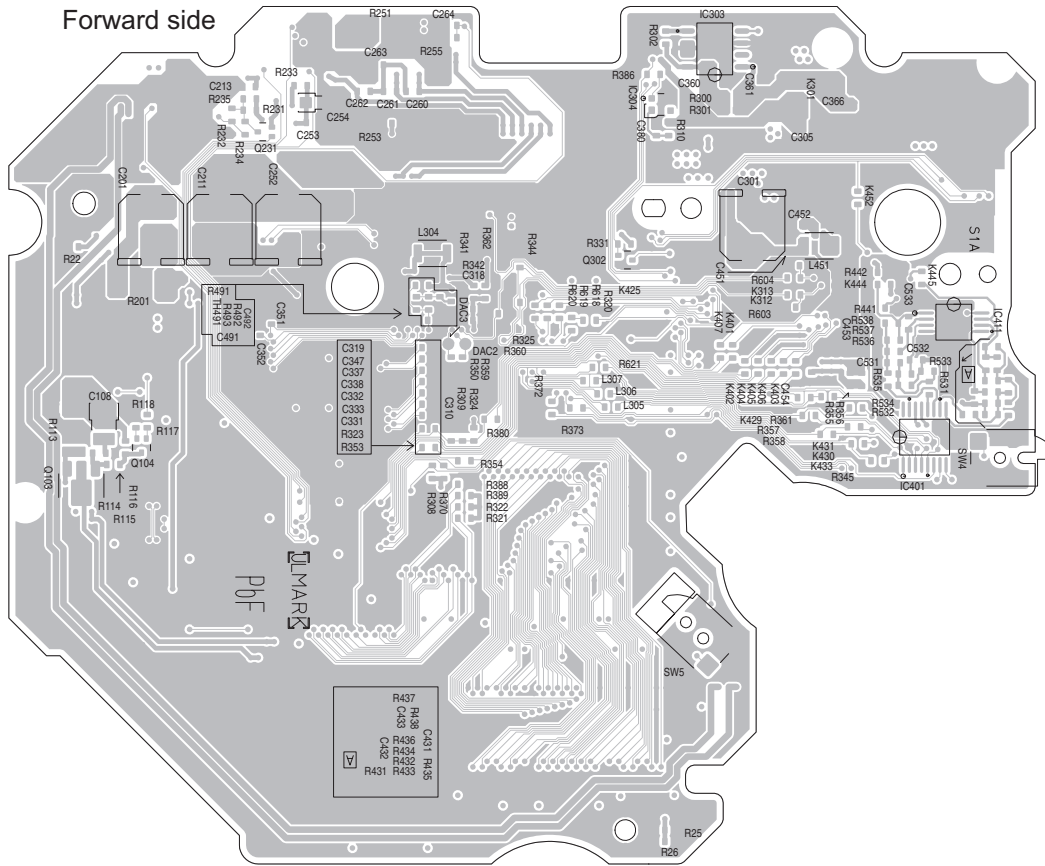


(Panel board)

(Switch board 2)

■ Front end board

Lead free solder used in the board (material : Sn-Ag-Cu, melting point : 219 Centigrade)



**JVC**

**Victor Company of Japan, Limited**

Mobile Entertainment Business Group Mobile Entertainment Category 10-1, 1chome, Ohwatari-machi, Maebashi-city, Gumma-ken, 371-8543, Japan

(No.MA261SCH)



Printed in Japan  
VPT